

SERIES UGI, UGJ & UGK | UTILITY GAGES

FEATURES/BENEFITS

- Dual scale provides reading in easily recognizable units
- Good accuracy gage for value-sensitive applications
- Compact size provides for mounting with dimensional limitations
- Higher accuracy gage for value-sensitive applications requiring more precise measurement
- Back or bottom mounting and compact size provides for mounting with dimensional limitations

APPLICATIONS

- Air regulators
- Pneumatic systems

DESCRIPTION

The **Series UGI & UGJ Utility Gages** possess dual psi and bar (x100 kPa) scales with $\pm 2.5\%$ accuracy. The **Series UGK Utility Gages** have dual psi and bar (x100 kPa) scales with $\pm 1.5\%$ accuracy. They are designed with black steel housings. Wetted parts include a brass socket and phosphor bronze tube. A wide offering of ranges are available from full vacuum to 300 psi. The center back mounting and compact size makes this gage the perfect choice for pneumatic air regulators.



UGI



UGJ



UGJ Back



UGK

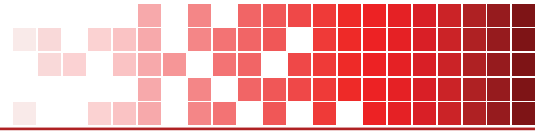


UGK Back

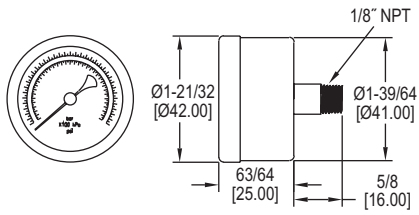
SPECIFICATIONS

Service	Compatible gases and liquids.
Wetted Materials	Brass connector, phosphor bronze tube.
Housing	Black painted steel.
Lens	Polycarbonate.
Accuracy	UGI & UGJ: $\pm 2.5\%$ FS; UGK: 1.5% FS.
Pressure Limit	FS range.
Temperature Limits	-4 to 140°F (-20 to 60°C).
Size	UGI: 1.5" (40 mm); UGJ: 2" (50 mm); UGK: 2.5" (63 mm).
Process Connection	UGI: 1/8" male NPT center back; UGJ: 1/8" NPT; UGK: 1/4" male NPT.
Weight	UGI: 2.1 oz (59 g); UGJ: 3.8 oz (108 g); UGL: 5.1 oz (145 g) bottom, 5.5 oz (155 g) black).

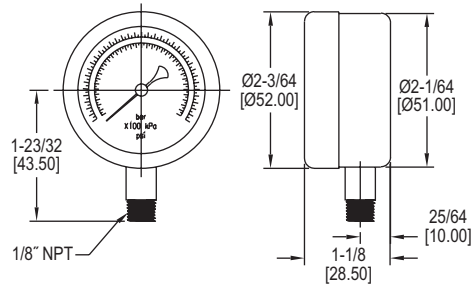




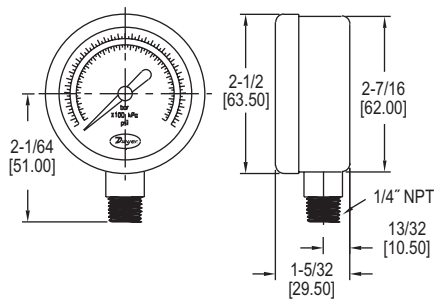
DIMENSIONS



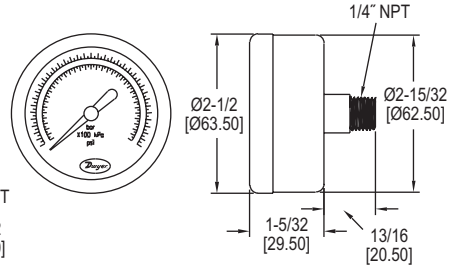
UGI



UGJ



UGK



HOW TO ORDER

Use the **bold** characters from the chart below to construct a product code.

<p>SERIES</p> <p>UGI: 1.5" utility gage</p> <p>UGJ: 2" utility gage</p> <p>UGK: 2.5" utility gage</p> <p>MODEL</p> <p>-B1: Series UGI</p> <p>-C1: Series UGJ</p> <p>-D1: Series UGK</p>	<p>UGI -B1 01 41N</p>	<p>CONNECTION</p> <p>21N: 1/8" bottom connection, available only for Series UGJ</p> <p>41N: 1/8" NPT back connection, available only for Series UGI & UGJ</p> <p>22N: 1/4" bottom connection, available only for Series UGK</p> <p>42N: 1/4" NPT back connection, available only for Series UGK</p> <p>RANGE</p> <p>01 - 30 in Hg to 0</p> <p>03 - 0 to 30 psi</p> <p>04 - 0 to 60 psi</p> <p>05 - 0 to 100 psi</p> <p>06 - 0 to 160 psi</p> <p>07 - 0 to 200 psi</p> <p>10 - 0 to 300 psi, not available for Series UGJ</p>
---	---	---

Important Notice: Dwyer Instruments, Inc. reserves the right to make changes to or discontinue any product or service identified in this publication without notice. Dwyer advises its customers to obtain the latest version of the relevant information to verify, before placing any orders, that the information being relied upon is current.

