

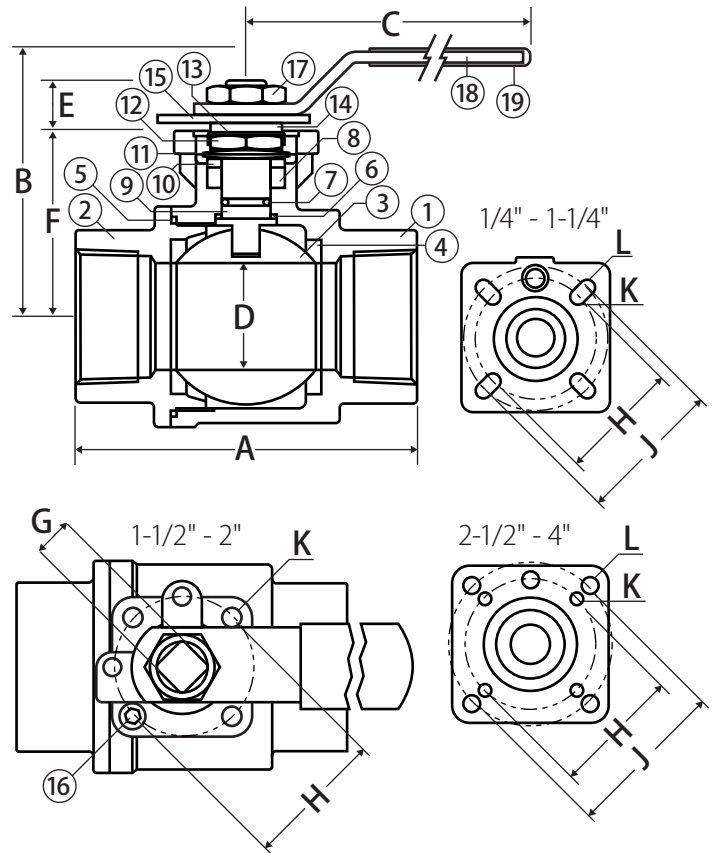
Direct Mount Ball Valve



**2 Piece • Full Port • Threaded Connection • 1000 WOG •
with ISO Mounting Pad**



A1001



Features

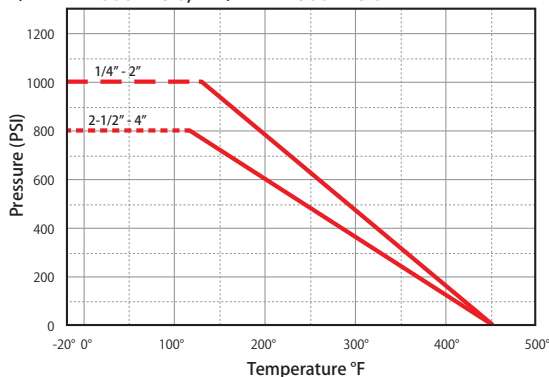
- Blow-out proof stem
- Adjustable stem packing
- ISO 5211 direct mounting pad
- Locking device may be locked in open or closed position
- 100% leak tested
- Wetted surface contains less than .25% lead content

Approvals

- MSS SP-110
- ANSI B1.20.1

Valve Seat Rating

1/4" - 2" 1000 WOG, 2-1/2" - 4" 800 WOG



No.	Part	Materials	No.	Part	Materials
1	Body	CF8M	13	Nut Stop	SS304
2	End Cap	CF8M	14	Space Washer	SS304
3	Ball	SS316	15	Plate	SS304
4	Seat	PTFE	16	Stop Pin	SS304
5	Gasket	PTFE	17	Handle Nut	SS304
6	Thrust Washer	RPTFE	18	Handle	SS304
7	O-Ring	Viton®	19	Sleeve	Plastic
8	Stem Packing	PTFE	20	Set Bolt*	SS304
9	Stem	SS316	21	Lever Head*	CF8
10	Fland	SS304	22	Lever *	Steel Pipe
11	Disc Washer	SS301			
12	Stem Nut	SS304			

* Not shown and only on 2-1/2" + valves

Dimensions

Part No.	Size	A	B	C	D	E	F	G	H	J	K	L	Torque
A1001-14	1/4"	2.22	2.60	5.12	0.43	0.35	1.46	0.35	1.42	1.65	0.24	0.24	45
A1001-38	3/8"	2.22	2.60	5.12	0.49	0.35	1.46	0.35	1.42	1.65	0.24	0.24	45
A1001-12	1/2"	2.32	2.60	5.12	0.59	0.35	1.46	0.35	1.42	1.65	0.24	0.24	54
A1001-34	3/4"	2.81	2.72	5.12	0.79	0.43	1.57	0.35	1.42	1.65	0.24	0.24	62
A1001-1	1"	3.13	3.15	6.30	0.98	0.55	1.89	0.43	1.65	1.97	0.24	0.28	85
A1001-114	1-1/4"	3.62	3.35	6.30	1.26	0.55	2.11	0.43	1.65	1.97	0.24	0.28	142
A1001-112	1-1/2"	4.11	3.86	8.07	1.50	0.71	2.50	0.55	1.97	-	0.28	-	239
A1001-2	2"	4.86	4.17	8.07	1.97	0.71	2.83	0.55	1.97	-	0.28	-	460
A1001-212	2-1/2"	6.54	5.79	12.20	2.50	0.71	3.68	0.67	2.76	4.02	0.35	0.44	602
A1001-3	3"	7.28	6.18	12.20	3.07	0.71	4.09	0.67	2.76	4.02	0.35	0.44	753

Note: Torque is in (in-lb)