

Eclipse AirJectors

Series AJ

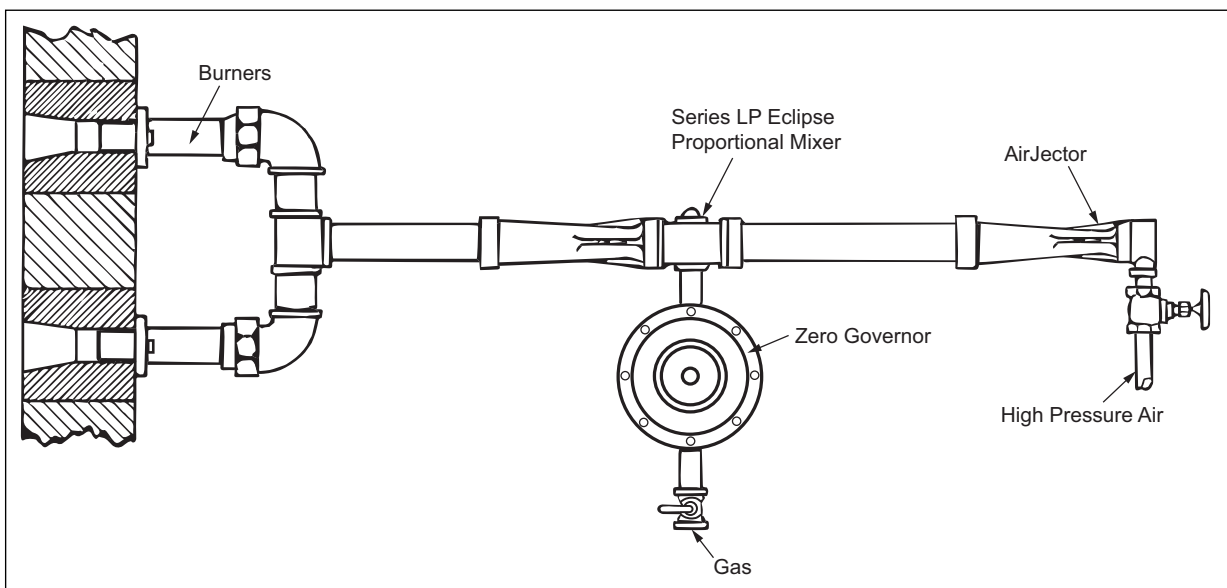


The Eclipse AirJector uses compressed air to entrain larger volumes of ambient air for combustion systems. For systems using the gas stream to entrain air, reference Atmospheric Injectors in catalog section 650.

The AirJector is useful when the operation of the combustion equipment is intermittent or air requirements are very small. A blower is recommended for constant operation.

AirJectors can be used with either LP Proportional Mixers (as shown) or with Variset Mixers (Reference Catalog section 650). Do not use any valves between the AirJector and the mixer.

Manual temperature control is achieved by a needle valve in the compressed air line. Automatic control can be achieved by installing a solenoid valve in the compressed air line. A standard solenoid valve will provide "on-off" control, while a solenoid with adjustable bypass will give "hi-lo" burner control.

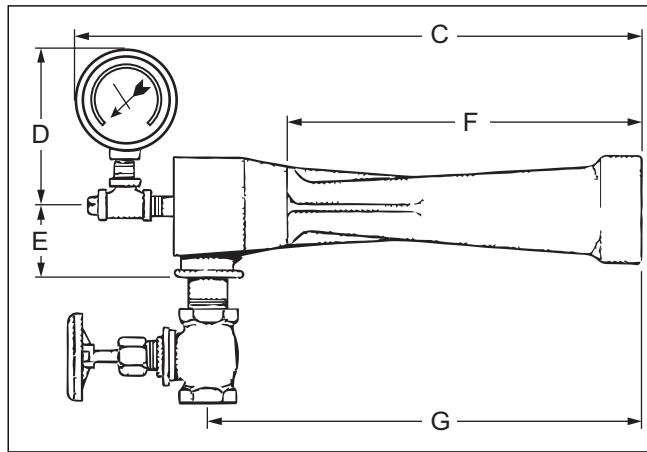


Capacities

Using entraining air at 20 to 100 psig pressures.

Catalog Number	Outlet Size	Delivery Pressure (CFH)			
		8 oz.	16 oz.	24 oz.	32 oz.
AJ-3	3/4	600	1000	1200	1400
AJ-4	1	1200	1500	2000	2500
AJ-5	1-1/4	2000	2500	3500	4500
AJ-6	1-1/2	3000	4000	4500	6000
AJ-8	2	4500	6000	7500	9000
AJ-10	2-1/2	7000	10,000	12,000	15,000
AJ-12	3	10,000	14,500	18,750	23,000

Dimensions and Ordering Information



Catalog Number	Basic Assy. No.	Assy. No. with Valve and Gauge	Dimensions, in Inches						
			A	B	C	D	E	F	G
AJ-3	AJ10.0003B56	AJ10.000CB56	3/8	3/4	11-1/8	4-1/8	1-3/8	6	7-7/16
AJ-4	AJ10.0004B52	AJ10.0004C52	3/4	1	11-7/8	4-1/8	1-13/16	7	9-7/8
AJ-5	AJ10.0054B46	AJ10.0054C46	3/4	1-1/4	15-1/2	4-1/8	1-13/16	9-11/16	11-11/16
AJ-6	AJ10.0065B40	AJ10.0065C40	3/4	1-1/2	15-7/8	4-1/8	2-1/16	10	12
AJ-8	AJ10.0086B30	AJ10.0086C30	3/4	2	16-1/8	4-1/8	2-1/16	10	12-1/4
AJ-10	AJ10.0108B20	AJ10.0108C20	3/4	2-1/2	20-3/8	4-1/8	2-11/16	14	16-1/2
AJ-12	AJ10.1210B10	AJ10.1210C10	3/4	3	25-7/8	4-1/8	2-5/8	19-5/8	21-7/8