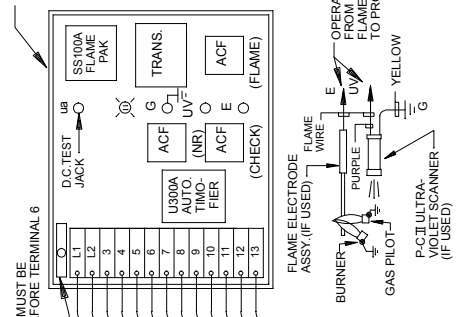
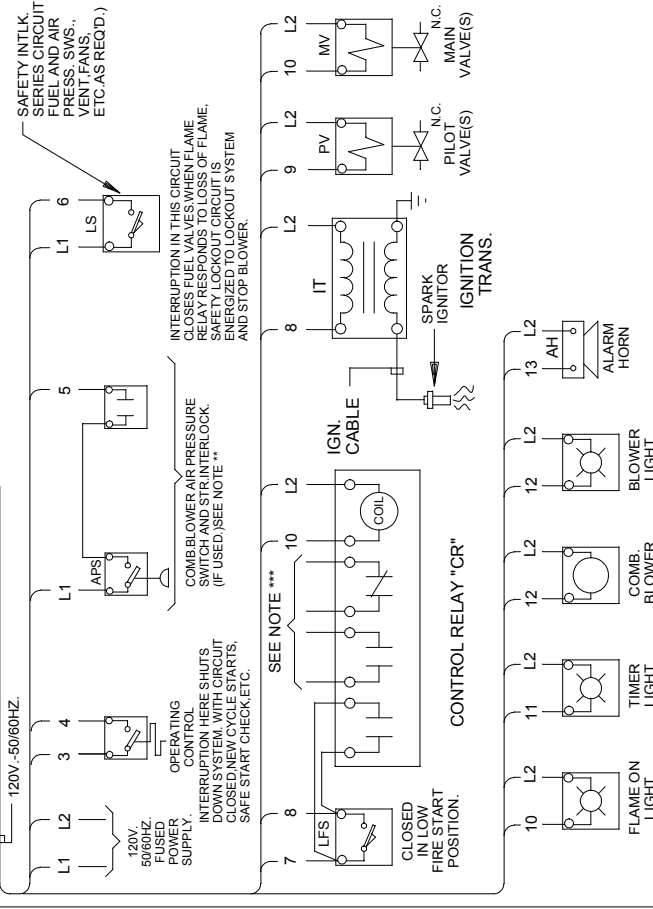


SINGLE BURNER AUTOMATIC PROTECTOFIER
(FORM 6642 VBT-NR GROUP M3101)



NOTES:

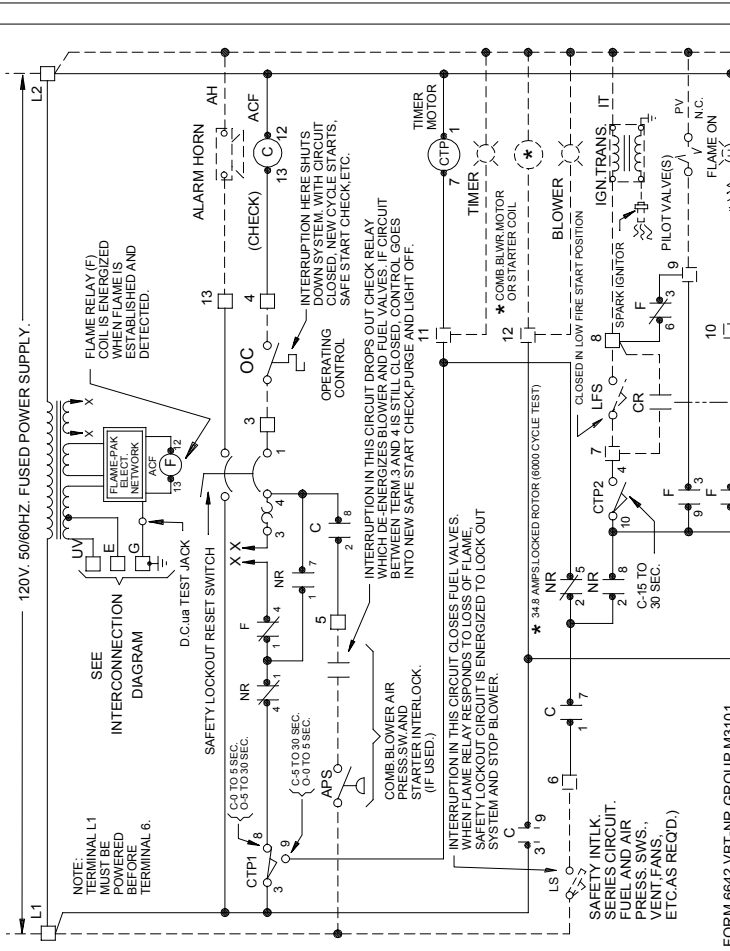
- * 34.8 AMPS. LOCKED ROTOR (6000 CYCLE TEST)
- ** INTERRUPTION IN THIS CIRCUIT DROPS OUT CHECK RELAY WHICH DE-ENERGIZES BURNER. SYSTEM WITH SHORT CLOSED, NEW CYCLE STARTS. CHECK, PURGE AND LIGHT OFF.
- *** CONTACTS OF AUXILIARY RELAY "CR" TO BE CONNECTED IN CONTROL MOTOR CIRCUIT TO DRIVE TO LOW WITH NO FLAME AND TO AUTO. WITH FLAME.
- FLAME WIRE TO BE NO. 14 TYPE T.W. 600V. INSULATED WIRE OR EQUAL. FLAME WIRE MUST NOT BE IN SAME CONDUITS WITH POWER WIRING.
- IGNITION CABLE MUST BE RUN IN SEPARATE CONDUIT TO SPARK ELECTRODE (DO NOT MIX WITH 120V. WIRING.)
- ALL WIRING AND EQUIPMENT EXTERNAL TO PROTECTOFIER TO BE FURNISHED BY OTHERS UNLESS OTHERWISE SPECIFIED.
- INSTALLATION, OPERATION AND MAINTENANCE SHALL CONFORM WITH NATIONAL FIRE PROTECTION ASSOCIATION STANDARDS, NATIONAL AND LOCAL CODES AND AUTHORITIES HAVING JURISDICTION ANY MODIFICATION VOIDS APPROVAL.



INTERCONNECTION DIAGRAM

NOTE: TERMINAL L1 MUST BE POWERED BEFORE TERMINAL 6 LOCKOUT SWITCH

NOTE: INTERRUPTION IN THIS CIRCUIT DROPS OUT CHECK RELAY WHICH DE-ENERGIZES BURNER. SYSTEM WITH SHORT CLOSED, NEW CYCLE STARTS. CHECK, PURGE AND LIGHT OFF.



FORM 6642 VBT-NR GROUP M3101

PROTECTOFIER SINGLE BURNER AUTOMATIC OPERATION INCLUDES TIMER FOR PURGE AND IGNITION TRIAL, NON-RELIGHT UPON FLAME FAILURE.

NOTE:

- C - CHECK RELAY
- F - FLAME RELAY
- NR - NON-RECYCLE RELAY

CIRCUIT DIAGRAM

INDICATES INTERNAL WIRING
INDICATES EXTERNAL WIRING

U300A AUTOMATIC TIMOFIER TIMING	
RANGE	PURGE(MIN)
A - 15 - 15	1/4 MIN.

IGN. (SEC.)	
IGN. (SEC.)	15 SEC.
15 SEC.	15 SEC.

PROTECTION CONTROLS, INC. ILLINOIS

PROTECTOFIER FORM 6642 VBT-NR GROUP M3101

WIRING DIAGRAM FOR: SKOKIE, ILLINOIS

JOB NO. REVISED 3-04

DRAWING NO. X-331