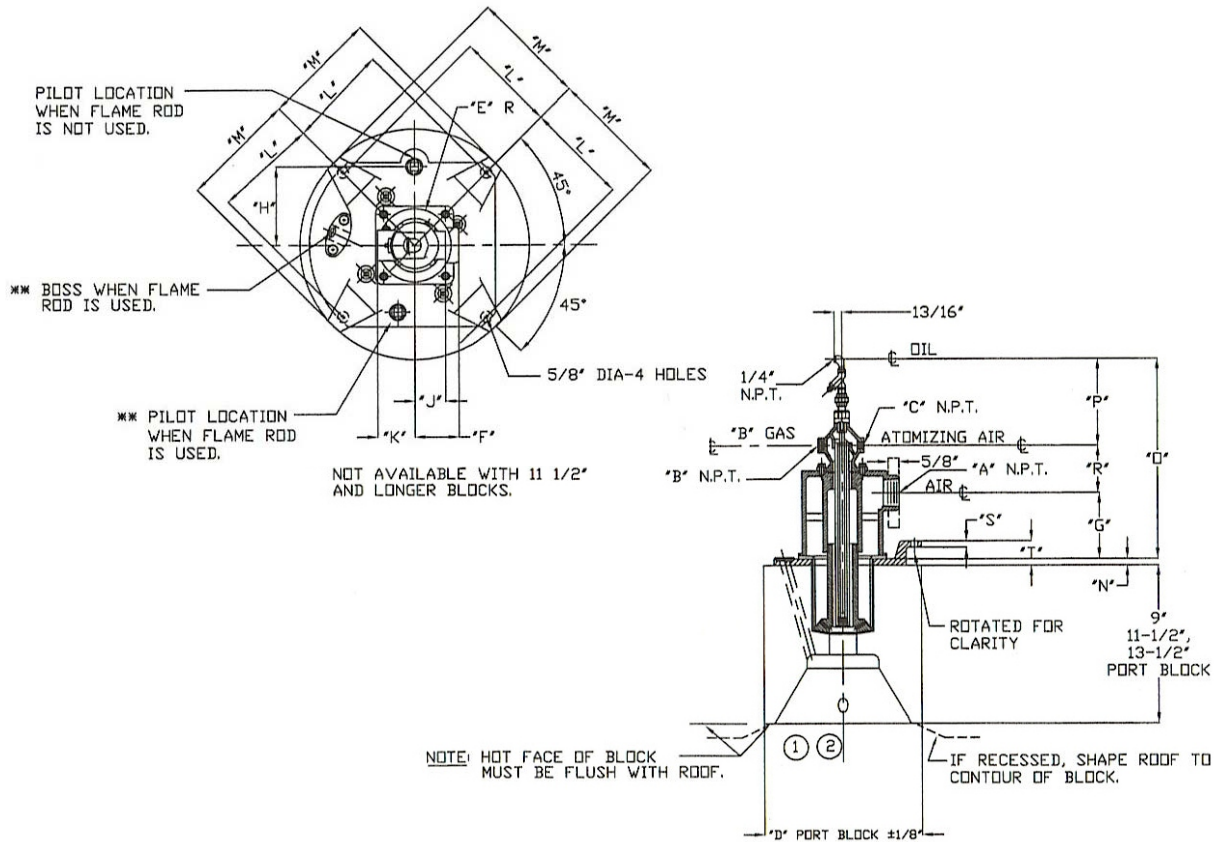


# 2016 SERIES HTR<sup>®</sup> COLD AIR BURNER GAS AND LP OIL – FOR ROOF FIRING

## GENERAL DIMENSIONS



| Catalog No. 2016- | General Dimensions (inches/mm) |       |       |       |       |      |                |      |      |      |      |       |       |     |                |       |      |     |     |
|-------------------|--------------------------------|-------|-------|-------|-------|------|----------------|------|------|------|------|-------|-------|-----|----------------|-------|------|-----|-----|
|                   | A                              | B     | C     | D     | E     | F    | G <sup>4</sup> | H    | J    | K    | L    | M     | N     | P   | Q <sup>4</sup> | R     | S    | T   |     |
|                   |                                |       |       | Dia.  | Sq.   |      |                |      |      |      |      |       |       |     |                |       |      |     |     |
| 030               | 3                              | 1 1/4 | 1 1/4 | 15.0  | 15.0  | 3.19 | 4.38           | 5.38 | 4.88 | 2.38 | 3.13 | 7.50  | 8.50  | .63 | 9.50           | 20.06 | 5.19 | .63 | 2.0 |
|                   | 76                             | 32    | 32    | 381   | 381   | 81   | 111            | 136  | 124  | 60   | 80   | 191   | 216   | 16  | 241            | 510   | 132  | 16  | 51  |
| 040               | 4                              | 2     | 1 1/2 | 18.0  | 18.0  | 3.31 | 5.0            | 6.13 | 5.63 | 2.75 | 3.38 | 8.38  | 8.94  | .63 | 9.88           | 21.31 | 5.31 | .63 | 2.0 |
|                   | 102                            | 51    | 38    | 457   | 457   | 84   | 127            | 155  | 143  | 70   | 86   | 213   | 227   | 16  | 251            | 541   | 135  | 16  | 51  |
| 060               | 6                              | 2 1/2 | 2     | 23.50 | 22.50 | 4.31 | 6.50           | 6.94 | 6.0  | 3.0  | 4.63 | 10.50 | 11.50 | .63 | 10.0           | 24.31 | 7.38 | .63 | 2.0 |
|                   | 152                            | 64    | 51    | 597   | 572   | 110  | 165            | 176  | 152  | 76   | 118  | 267   | 292   | 16  | 254            | 617   | 187  | 16  | 51  |

<sup>1</sup>Burners are available with round or square blocks. Order must specify block shape and length.

<sup>2</sup>Special shapes and lengths are available, please contact your Bloom Representative

<sup>3</sup>2016-060 burner air connection has 6"-125# standard drilling.

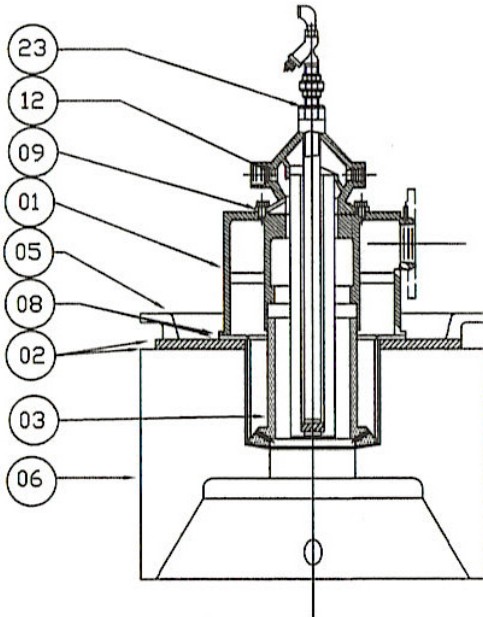
<sup>4</sup>Add 5/16" (8 mm) to "G" and "Q" dimensions for 2016-060 burners with 11 1/2" (292 mm) and longer blocks.

NOTE: GENERAL DIMENSION INFORMATION. SEE BLOOM REPRESENTATIVE FOR CERTIFIED DIMENSIONS FOR CONSTRUCTION

CAUTION: The improper use of combustion equipment can result in a condition hazardous to people and property. Users are urged to comply with National Safety Standards and/or Insurance Underwriters recommendations

# 2016 SERIES HTR<sup>®</sup> COLD AIR BURNER GAS AND LP OIL – FOR ROOF FIRING

## PARTS LISTS



| Part Number | Description                       |
|-------------|-----------------------------------|
| 01          | Body                              |
| *02         | Mounting Plate and Block Assembly |
| 03          | Nozzle Assembly                   |
| 05          | Mounting Plate                    |
| *06         | Block                             |
| 08          | Gasket (body)                     |
| 09          | Gasket (tee)                      |
| 12          | Gas Orifice                       |
| +23         | Oil Burner Assembly               |

\*See 1900 Series bulletin for parts list.

\*Specify block shape, dimensions and length.

Part number must be preceded by catalog number.

*Example:*

To order Part 02 – Mounting Plate and Block Assembly for 2016-040 Burner w/ Round Block

Specify –

2016-040 - 02 18" diameter, 9" long  
(catalog number) (part number) (block shape and dimensions)

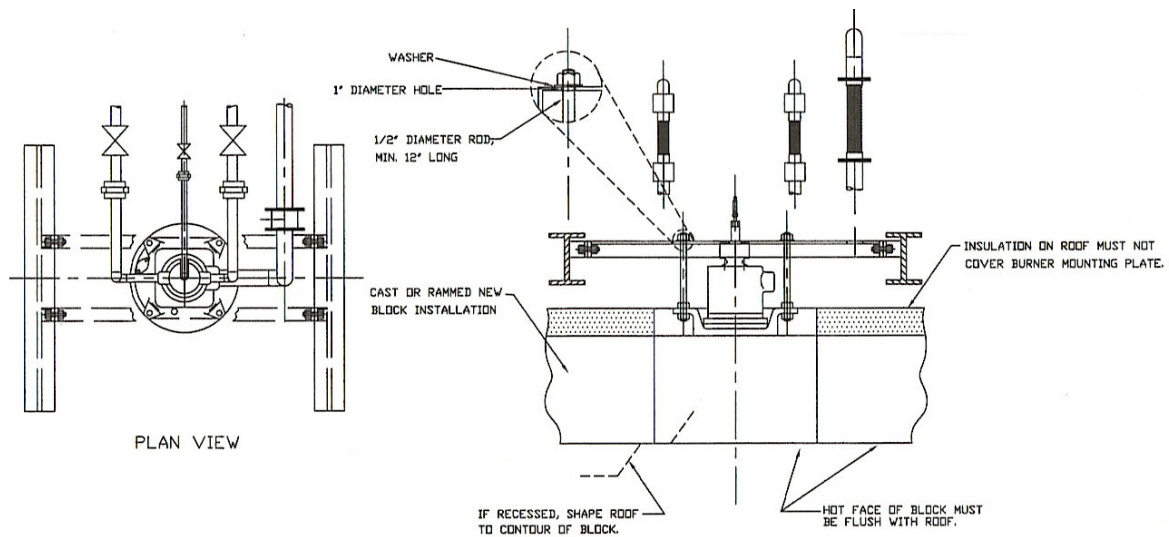
## APPROXIMATE BURNER WEIGHTS

| Catalog No. 2016- | 9" (229 mm) Long |     |              |     | 11.5" (292 mm) Long |     |              |     | 13.5" (343 mm) Long |     |              |     |
|-------------------|------------------|-----|--------------|-----|---------------------|-----|--------------|-----|---------------------|-----|--------------|-----|
|                   | Round Block      |     | Square Block |     | Round Block         |     | Square Block |     | Round Block         |     | Square Block |     |
|                   | lbs              | kg  | lbs          | kg  | lbs                 | kg  | lbs          | kg  | lbs                 | kg  | lbs          | kg  |
| 030               | 220              | 100 | 255          | 116 | 250                 | 113 | 290          | 132 | 300                 | 136 | 350          | 159 |
| 040               | 285              | 129 | 380          | 172 | 330                 | 150 | 445          | 202 | 410                 | 186 | 545          | 247 |
| 060               | 465              | 211 | 545          | 247 | 515                 | 234 | 640          | 290 | 585                 | 265 | 620          | 281 |

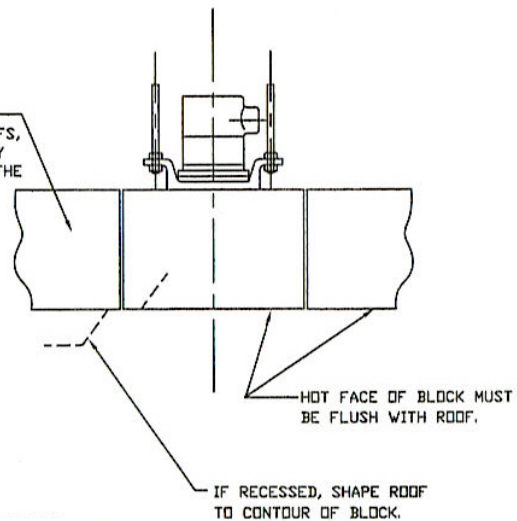
CAUTION: The improper use of combustion equipment can result in a condition hazardous to people and property. Users are urged to comply with National Safety Standards and/or Insurance Underwriters recommendations

## 2016 SERIES HTR<sup>®</sup> COLD AIR BURNER GAS AND LP OIL – FOR ROOF FIRING

### TYPICAL INSTALLATION



TO REPLACE BURNER BLOCKS IN PREVIOUSLY CAST OR RAMMED ROOFS, GRIND THE OPENING APPROXIMATELY ROUND SO THAT IT WILL ACCEPT THE BURNER BLOCK.



**CAUTION:** The improper use of combustion equipment can result in a condition hazardous to people and property. Users are urged to comply with National Safety Standards and/or Insurance Underwriters recommendations