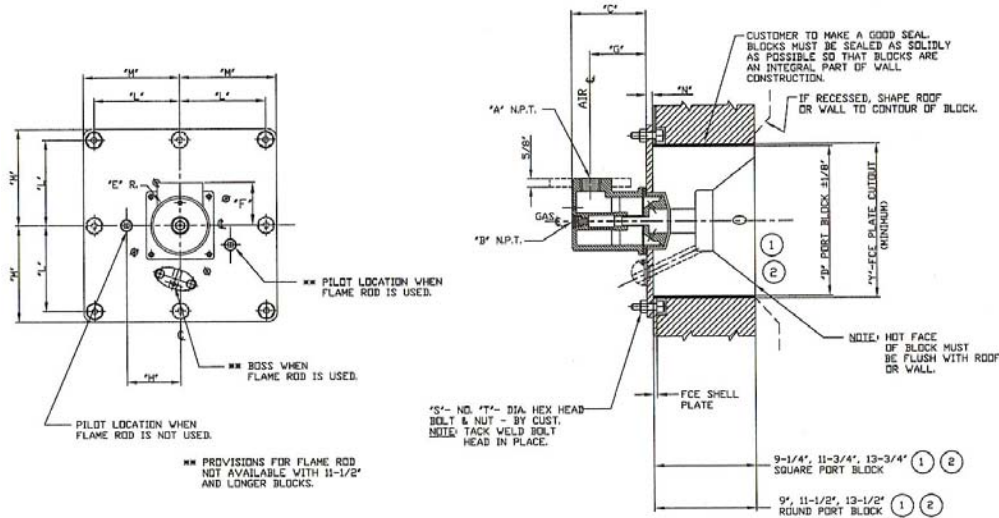


2020 SERIES HTR[®] COLD AIR BURNER GAS ONLY

GENERAL DIMENSIONS



Catalog No. 2020-	General Dimensions (inches/mm)														
	A	B	C ⁴	D		E	F	G	H	L	M	S	T	Y	
				Dia.	Sq.									Dia.	Sq.
010	1	1/2	5.0	9.0	9.0	2.06	2.50	3.75	3.13	5.0	5.63	4.0	.50	9.25	9.25
	25	13	127	229	229	52	64	95	80	127	143	102	13	235	235
015	1 1/2	1/2	5.0	9.0	9.0	2.06	2.50	3.75	3.13	5.0	5.63	4.0	.50	9.25	9.25
	38	13	127	229	229	52	64	95	80	127	143	102	13	235	235
020	2	3/4	6.25	12.50	12.50	2.56	3.0	4.50	3.88	6.88	7.50	4.0	.50	12.75	12.75
	51	19	159	318	318	65	76	114	99	175	191	102	13	324	324
025	2 1/2	1	7.81	15.0	15.0	3.19	4.38	5.38	4.88	8.38	9.0	8.0	.50	15.25	15.25
	64	25	198	381	381	81	111	137	124	213	229	203	13	387	387
030	3	1 1/4	7.81	15.0	15.0	3.19	4.38	5.38	4.88	8.38	9.0	8.0	.50	15.25	15.25
	76	32	198	381	381	81	111	137	124	213	229	203	13	387	387
040	4	2	9.19	18.0	18.0	3.31	5.0	6.13	5.63	9.88	10.50	8.0	.50	18.25	18.25
	102	51	233	457	457	84	127	156	143	251	267	203	13	464	464
060	6 ³	2 1/2	11.0	23.50	22.50	4.31	6.50	6.94	6.0	12.75	13.50	8.0	.50	23.75	22.75
	152	64	279	597	572	109	165	176	152	324	343	206	13	603	578

¹Burners are available with round or square blocks. Order must specify block shape and length.
²Special shapes and lengths are available, please contact your Bloom Representative
³2020-060 burner air connection has 6"-125# standard drilling.
⁴Add 5/16" (8 mm) to "C" and "G" dimensions for 2020-060 burners with 1 1/2" (292 mm) and longer blocks.

"N" Dimension

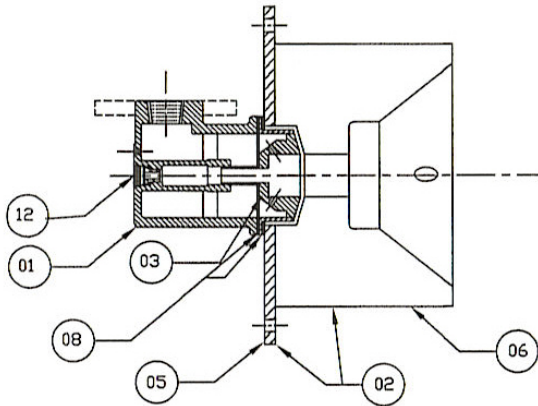
Catalog No. 2020-	9" (229 mm) Long Block Round		9.25" (235 mm) Long Block Square		11.50" (292 mm) Long Block Round		11.75" (298 mm) Long Block Square		13.50" (343 mm) Long Block Round		13.75" (349 mm) Long Block Square	
	inches	mm	inches	mm	inches	mm	inches	mm	inches	mm	inches	mm
010 thru 040	.63	16	.38	10	.63	16	.38	10	.63	16	.38	10
060	.63	16	.63	16	.63	16	.63	16	.63	16	.63	16

NOTE: GENERAL DIMENSION INFORMATION. SEE BLOOM REPRESENTATIVE FOR CERTIFIED DIMENSIONS FOR CONSTRUCTION

CAUTION: The improper use of combustion equipment can result in a condition hazardous to people and property. Users are urged to comply with National Safety Standards and/or Insurance Underwriters recommendations

2020 SERIES HTR[®] COLD AIR BURNER GAS ONLY

PARTS LIST



Part Number	Description
01	Body
*02	Mounting Plate and Block Assembly
03	Nozzle Assembly
05	Mounting Plate
*06	Block
08	Gasket (body)
12	Gas Orifice

*Specify Block Shape, dimensions and length.

Part number must be preceded by catalog number.

Example:

To order Part 02 - Mounting Plate and Block Assembly for 2020-040 Burner w/ Round Block
Specify –
2020-040 - 02 18" diameter, 9" long
(catalog number) (part number) (block shape, dimensions)

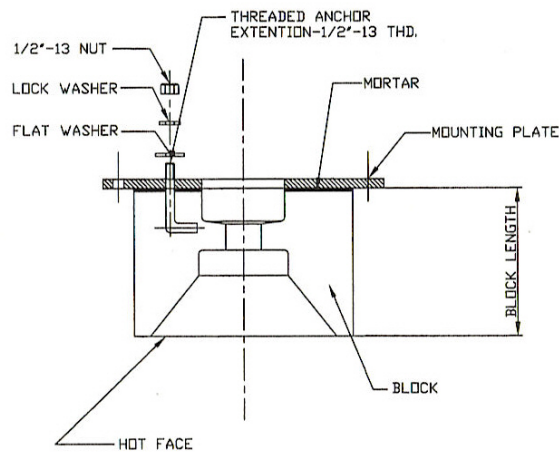
APPROXIMATE BURNER WEIGHTS

Catalog No. 2020-	9" (229 mm) Long Block Round		9.25" (235 mm) Long Block Square		11.50" (292 mm) Long Block Round		11.75" (298 mm) Long Block Square		13.50"(343 mm) Long Block Round		13.75" (349 mm) Long Block Square	
	lbs	kg	lbs	kg	lbs	kg	lbs	kg	lbs	kg	lbs	kg
010	75	34	85	39	85	39	95	43	95	43	105	48
015	75	34	85	39	85	39	95	43	95	43	105	48
020	130	59	155	70	150	68	185	84	170	77	355	161
025	230	104	255	116	260	73	295	134	310	141	355	161
030	230	104	255	116	260	73	295	134	310	141	355	161
040	280	127	375	170	325	147	440	200	405	184	540	245
060	480	218	560	254	530	240	620	281	645	293	685	311

CAUTION: The improper use of combustion equipment can result in a condition hazardous to people and property. Users are urged to comply with National Safety Standards and/or Insurance Underwriters recommendations

2020 SERIES HTR[®] COLD AIR BURNER GAS ONLY

MOUNTING PLATE AND ASSEMBLY INSTRUCTIONS



1. Place block with hot face down.
2. Check that mounting plate fits onto anchor extensions and that pilot and/or Flame Supervision holes line-up.
3. Remove mounting plate from block and coat surface of block which abuts plate with 1/16" to 1/8" thickness of high temperature air setting mortar.
4. Coat threaded anchor extensions with high temperature lubricant.
5. Reset mounting plate on block as previously done in Step 2 above.
6. Place washers and nuts on threaded anchors.
7. Draw mounting plate down evenly against block. Do not exceed 30 to 40 ft. lb. torque on nuts. (If torque wrench not available, tighten to snug fit.) Check to see that "hold dimension" is correct. Also be sure mounting plate is drawn down evenly against block as misalignment will not permit proper burner assembly.
8. Mounting plate is now ready for installation on furnace.

Catalog No. 2020-	Block Length					
	9.0" (229 mm) or 9.25" (235 mm)		11.50" (292 mm) or 11.75" (298 mm)		13.50" (343 mm) or 13.75" (349 mm)	
	A ± .06" (2 mm)		A ± .06" (2 mm)		A ± .06" (2 mm)	
	inches	mm	inches	mm	inches	mm
010	4.69	119	7.19	183	9.19	233
015	4.69	119	7.19	183	9.19	233
020	3.56	90	6.06	154	8.06	205
025	3.0	76	5.50	140	7.50	191
030	3.0	76	5.50	140	7.50	191
040	2.13	54	4.63	118	6.63	168
060	0	0	2.25	57	4.25	108

NOTE: GENERAL DIMENSION INFORMATION. SEE BLOOM REPRESENTATIVE FOR CERTIFIED DIMENSIONS FOR CONSTRUCTION

CAUTION: The improper use of combustion equipment can result in a condition hazardous to people and property. Users are urged to comply with National Safety Standards and/or Insurance Underwriters recommendations