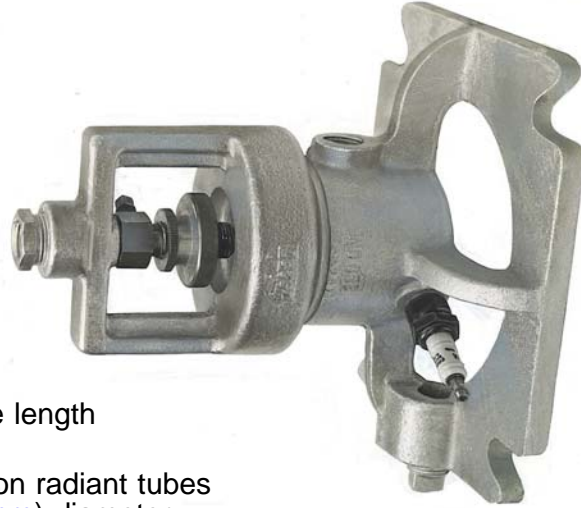


## 2310 SERIES COLD AIR, SUCTION-TYPE RADIANT TUBE BURNER



### CAPABILITIES

- Uniform heat release along the length of the radiant tube
- Suitable for flanged mounting on radiant tubes 4" (120 mm) through 8" (203 mm) diameter

### FEATURES

- Engineered to suit your specific tube geometry
- Adjustable heat release to suit the radiant tube
- Heat resistant alloy nozzle
- Provisions for flame monitoring available

### APPLICATIONS

- Continuous Strip Anneal
- Aluminum Soaking Pits
- Aluminum Foil
- Aluminum Treating
- Silicon Strip Anneal
- Many Other Applications

### BURNER IGNITION

- Pilot
- Direct Spark
- Manual

### FUEL CAPABILITIES

- Natural Gas
- Coke Gas
- Propane
- Naptha
- Butane
- #2 Fuel Oil
- Diesel Oil

**CAUTION:** The improper use of combustion equipment can result in a condition hazardous to people and property. Users are urged to comply with National Safety Standards and/or Insurance Underwriters recommendations

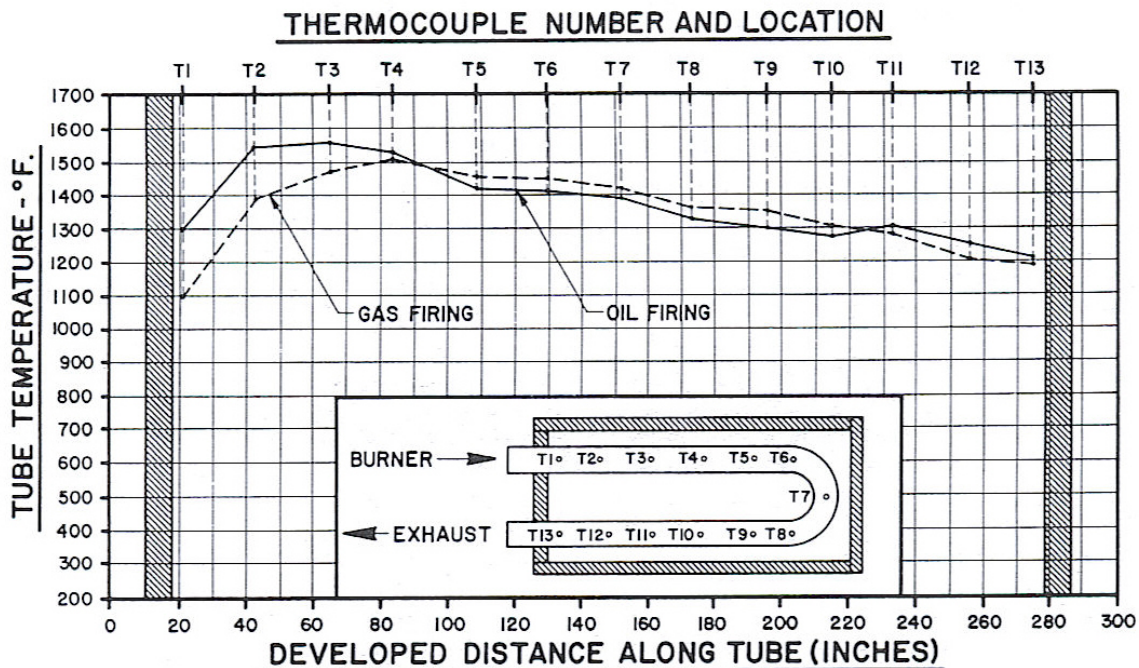
## 2310 SERIES COLD AIR, SUCTION-TYPE RADIANT TUBE BURNER

The 2310 Series Radiant Tube Burner has been developed to produce a long flame for uniform heat release along the length of the tube. Each burner has a primary air adjustment, which allows heat release to be adjusted to suit the tube. The combustion air and flame is pulled through the tube by suction at the tube exhaust. This suction may be produced by a fan or the Bloom 2330 Series Educators.

The preferred control system is on-off; however, the burner will function equally as well high-low, proportioning or tempered flame.

When the 2330 Series Educator is used, the temperature control drives the 6001 or 6021 Series Butterfly Valve with the air cross-connected to a 9380 Series Gas Pressure Balance Regulator and 6060 Series Ratio Valve.

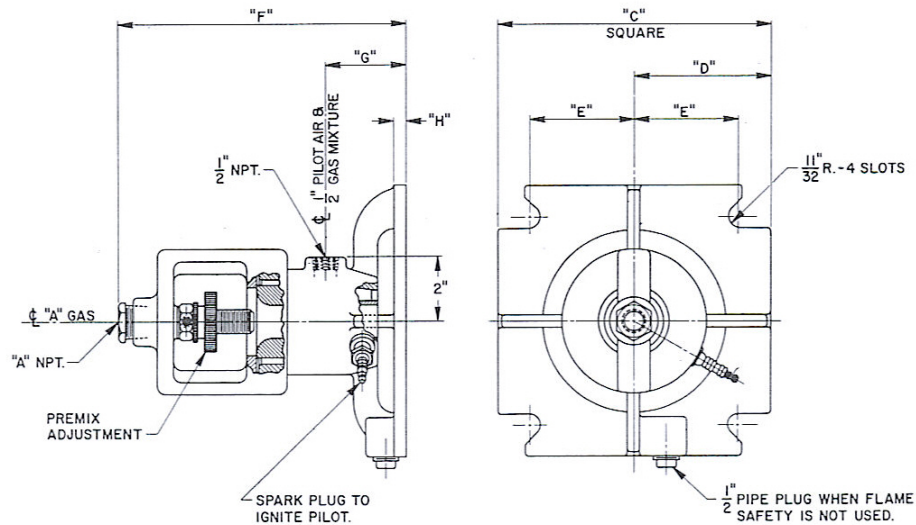
### TYPICAL TEMPERATURE DISTRIBUTIONS OBTAINED WITH THE 2310 SERIES BURNERS



**CAUTION:** The improper use of combustion equipment can result in a condition hazardous to people and property. Users are urged to comply with National Safety Standards and/or Insurance Underwriters recommendations

## 2310 SERIES COLD AIR, SUCTION-TYPE RADIANT TUBE BURNER

### GENERAL DIMENSIONS



Catalog No. 2310-	Small Mounting Flange - General Dimensions (inches/mm)							Approximate Shipping Weight
	A	C	D	E	F	G	H	
140	.5 13	8.5 216	4.25 108	3.25 82	8.88 226	2.5 64	.38 10	30 lbs (14 kg)
150	.75 19	8.5 216	4.25 108	3.25 82	8.88 226	2.5 64	.38 10	
156	1 25	8.5 216	4.25 108	3.25 82	8.44 214	2.5 64	.38 10	
163	1.25 32	8.5 216	4.25 108	3.25 82	9.63 245	2.5 64	.38 10	
170	1.50 38	8.5 216	4.25 108	3.25 82	9.06 230	2.5 64	.38 10	

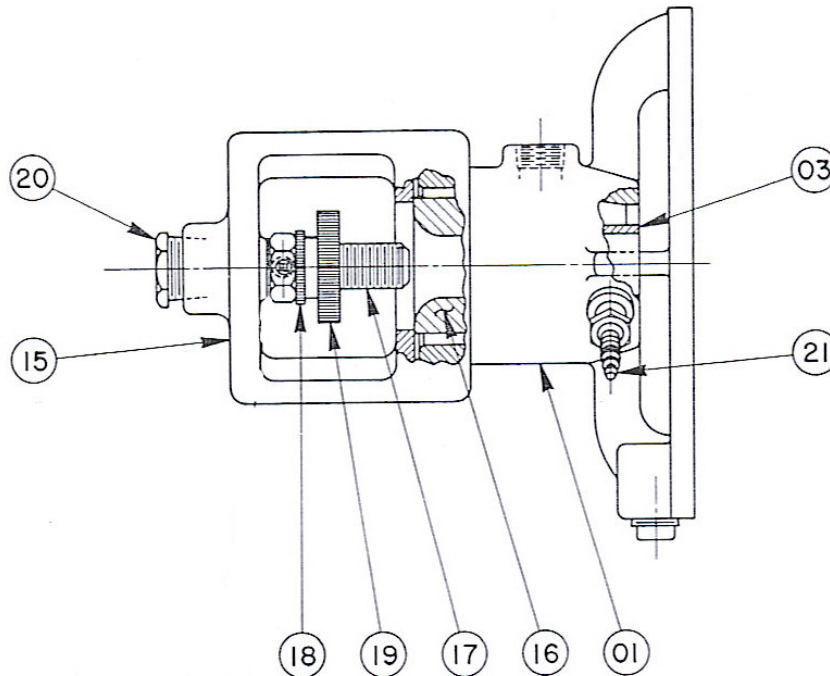
Catalog No. 2310-	Large Mounting Flange - General Dimensions (inches/mm)							Approximate Shipping Weight
	A	C	D	E	F	G	H	
240	.50 13	9.5 241	4.75 121	3.75 95	8.81 224	2.44 62	.5 13	30 lbs (14 kg)
250	.75 19	9.5 241	4.75 121	3.75 95	8.81 224	2.44 62	.5 13	
256	1 25	9.5 241	4.75 121	3.75 95	8.38 213	2.44 62	.5 13	
263	1.25 32	9.5 241	4.75 121	3.75 95	9.56 243	2.44 62	.5 13	
270	1.5 38	9.5 241	4.75 121	3.75 95	9.06 230	2.44 62	.5 13	

NOTE: GENERAL DIMENSION INFORMATION. SEE BLOOM REPRESENTATIVE FOR CERTIFIED DIMENSIONS FOR CONSTRUCTION

CAUTION: The improper use of combustion equipment can result in a condition hazardous to people and property. Users are urged to comply with National Safety Standards and/or Insurance Underwriters recommendations

## 2310 SERIES COLD AIR, SUCTION-TYPE RADIANT TUBE BURNER

### PARTS LIST



Part Number	Description
01	Body
03	Nozzle
15	Yoke
16	Spool
17	Spud
18	Lock Nut
19	Shutter
20	Bushing
21	Spark Plug

Part number must be preceded by catalog number.

*Example:*

To order Part 03 – For 2310-163 Burner

Specify –

2310-163 - 03  
 (catalog number) (part number)

NOTE: GENERAL DIMENSION INFORMATION. SEE BLOOM REPRESENTATIVE FOR CERTIFIED DIMENSIONS FOR CONSTRUCTION

CAUTION: The improper use of combustion equipment can result in a condition hazardous to people and property. Users are urged to comply with National Safety Standards and/or Insurance Underwriters recommendations