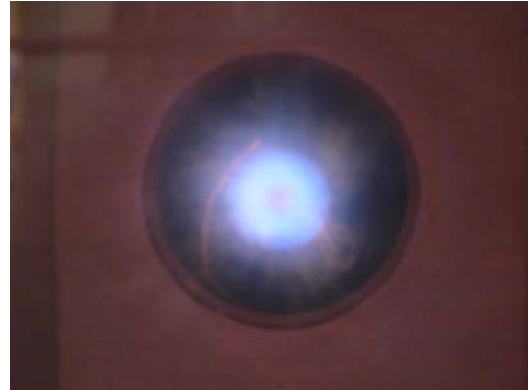


2450 SELF-RECUPERATIVE BURNER

CAPABILITIES

- Nominal Capacity: 250,000 – 900,000 Btuh
- Pressures at Nominal: ~13" wc air, ~9" w.c. natural gas, ~20" wc eductor
- NOx: ~60 ppm @ 2% XSA (120 mg/Nm³) at nominal rating and 1600°F (871°C) furnace temperature



FEATURES

- Developed to provide low NOx through the use of internal premix and POC recirculation
- High air preheat and good fuel efficiency
- Intended for furnace temperature applications 1925°F (1050°C) and below
- Flame:
Length: 3 feet (914mm)
Diameter: 8 inches (203mm)
In cold furnace, blue and slightly bushy. In hot furnace, transparent. Yellow and bushy at TD

CONTROL

- Pulse Fire Recommended
- Modulating Control is limited to 4 to 1 turndown @ 10% excess air

FLAME MONITORING

- Spark igniter used as a flame rod

APPLICATIONS

- Steel, Metal, Chemical and Ceramics industries
- Low Temperature Heat Treatment
- Pipe and Tube Mills
- Roller Hearths
- Single and Multiple Stack Annealing Furnaces

BURNER IGNITION

- Direct Spark

FUEL CAPABILITIES

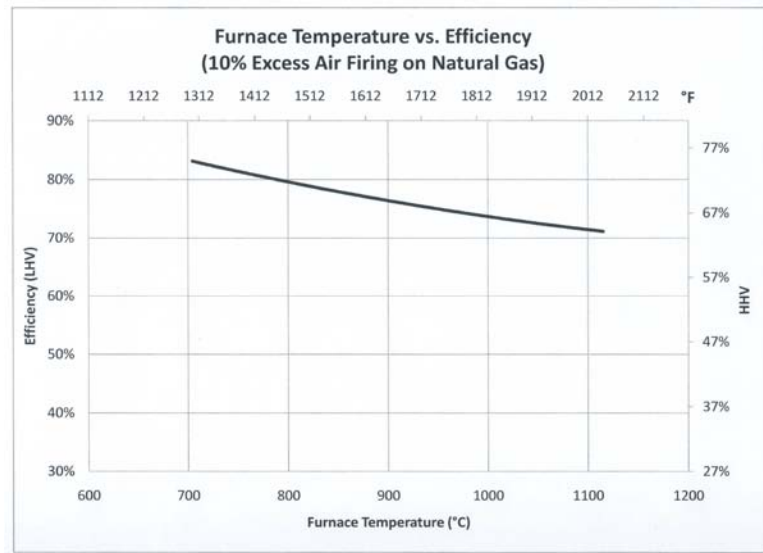
- Natural Gas
- LPG

Catalog No. 2450-	Natural Gas Btu/hr (Kcal)	Furnace Temperature °F (°C)	Air Preheat °F (°C)	Capacity 10% Excess Air	Eductor Air flow and Pressure
050	500,000 (125,000)	1850° (1010°)	841° (449°)	5,500 scfh (150 Nm ³ /hr) ~ 16.8" wc (42 mBar)	5,700 scfh (155 Nm ³ /hr) ~ 19.7" wc (49 mBar)
085	900,000 (225,000)	1850° (1010°)	841° (449°)	9,900 scfh (268 Nm ³ /hr) ~ 10.6" wc (26 mBar)	9,300 scfh (250 Nm ³ /hr) ~ 21.1" wc (53 mBar)

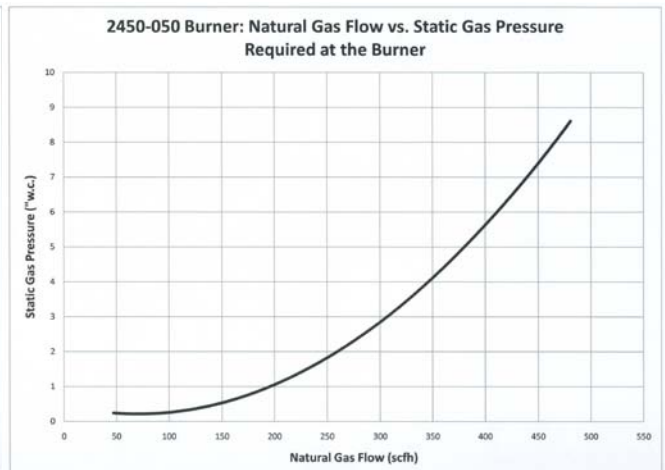
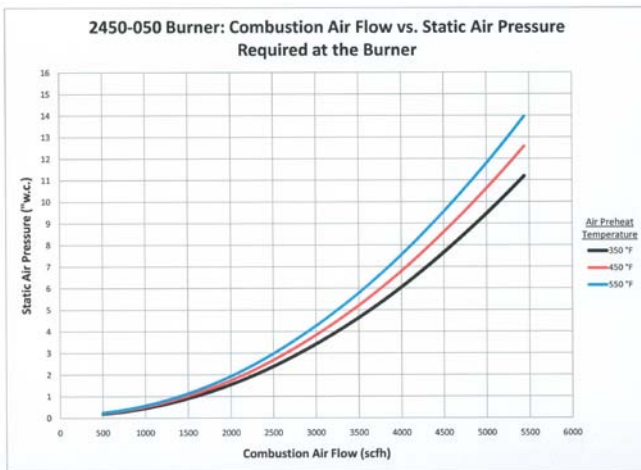
CAUTION: The improper use of combustion equipment can result in a condition hazardous to people and property. Users are urged to comply with National Safety Standards and/or Insurance Underwriters recommendations

2450 SELF-RECUPERATIVE BURNER

EFFICIENCY (-050) & (-085)



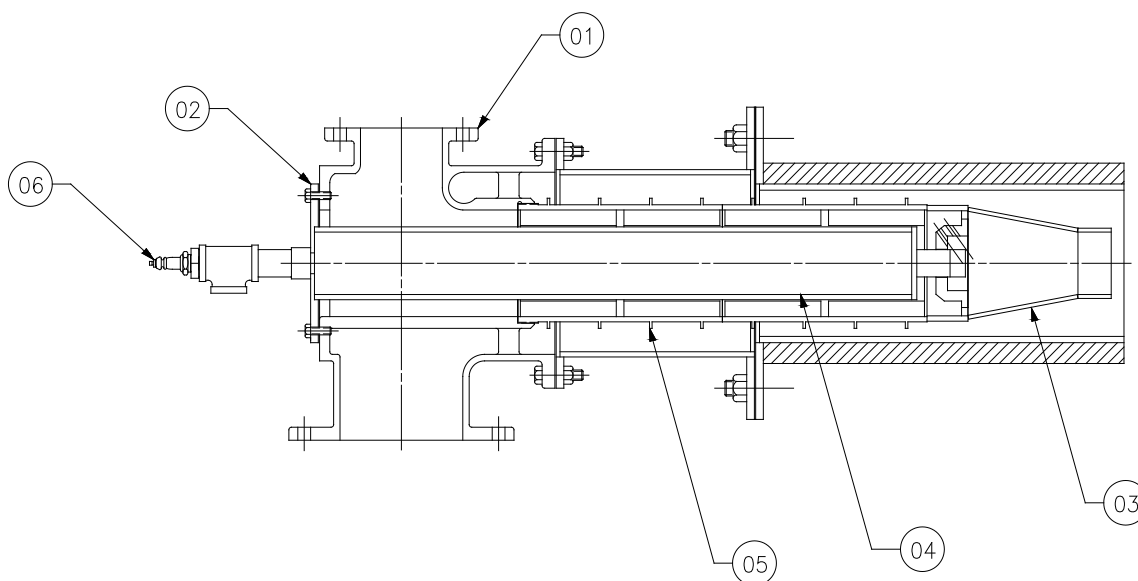
DATA (-050)



CAUTION: The improper use of combustion equipment can result in a condition hazardous to people and property. Users are urged to comply with National Safety Standards and/or Insurance Underwriters recommendations

2450 SELF-RECUPERATIVE BURNER

SPARE PARTS



Part Number	Description
01	Burner Body
02	End Plate
03	Air Nozzle Assembly
04	Gas Nozzle Assembly
05	Recuperator
06	Spark Ignitor / Flame Rod

Part number must be preceded by catalog number.

Example:

To order Part 05 – Recuperator

Specify –

2450 - 050 - 05

(catalog number) (part number)

CAUTION: The improper use of combustion equipment can result in a condition hazardous to people and property. Users are urged to comply with National Safety Standards and/or Insurance Underwriters recommendations