

Dual Modular Safety Shutoff Valves with Vent Line Adapter

DMV/6x2 Series
DMV/6x4L Series
DMV-ZR/6x2 Series

DUNGS[®]
Combustion Controls



Two normally closed safety shutoff valves in one housing; each with the following approvals.

UL Recognized

- UL 429
- File # MH16727

CSA Certified

- ANSI Z21.21
- CSA 6.5
- Marked C/I
- File # 157406

FM Approved

- Class 7411
- Report # J.I.1Z6A0.AF

Commonwealth of Massachusetts Approved Product

- Approval code G1-1107-35
- Gas Safety Shutoff Valve

US and Canadian Models

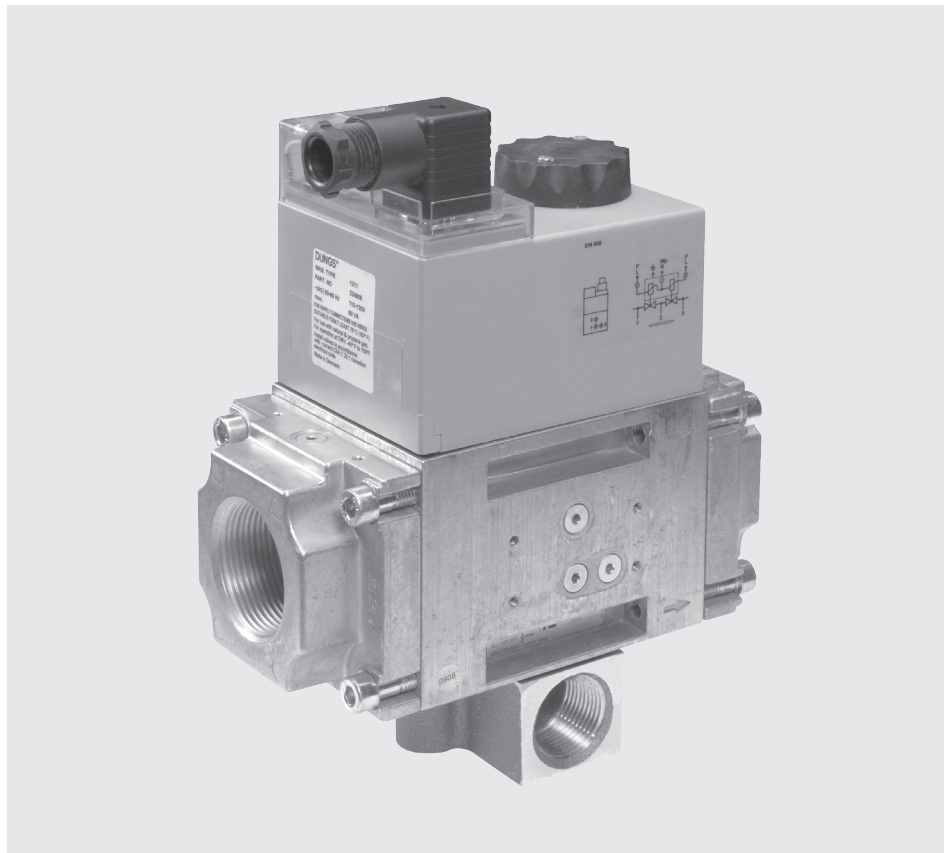
- DMV-D 701/6x2, 7x2/602, and 703/6x2
- DMV-DLE 701/6x2, 702/6x2, and 703/6x2
- DMV-D 7x2/6x4 and 703/6x4
- DMV-DLE 702/6x4 and 703/6x4
- DMV-ZRD 701/6x2, 7x2/602, and 703/6x2
- DMV-ZRDLE 701/6x2, 702/6x2, and 703/6x2

- Main gas connections available: 1/2 in. NPT - 2 in. NPT

Codes and Standards

This product is intended for installations covered by but not limited to NFPA 86, ANSI Z83.4, ANSI Z83.18, ANSI Z21.13, CSA B149.1 and CSA B149.3.

DUNGS is an ISO 9001 manufacturing facility.



Description

The Dual Modular Valves with Vent Line Adapter (DMV-VLA) combines two safety shutoff valves in one compact housing with a factory installed vent line connection between the two safety valves.

- DMV-D series contain two fast opening and fast closing safety shutoff valves, and max. flow adjustment to vary the flow.
- DMV-DLE series have an extra feature. Valve two is a slow-opening valve.
- DMV valves ending /622, /624L and /612 have proof of closure.
- DMV valves ending in L are rated as NEMA Type 4.
- DMV ZR series valves have two stage operation.

Directly mounting the following accessories creates a compact valve train without additional piping:

- Pressure regulator
- High and low gas pressure switches
- Valve proving system
- DMK Butterfly control valve

Application

The DMV-VLA is recommended for industrial and commercial heating applications that require two safety shutoff valves with a vent line connection between the safety shutoff valves. The DMV-VLA is suitable for dry natural gas, propane, butane, air and inert gases.

A "dry" gas has a dew point lower than +15 °F and its relative humidity is less than 60 %.

Type	110 - 120 VAC @ 50 - 60 Hz Order No.
DMV-D VLA 701/602	224-842V
DMV-D VLA 702/602	224-843V
DMV-D VLA 703/602	224-844V
DMV-DLE VLA 701/602	224-845V
DMV-DLE VLA 702/602	228-223V
DMV-DLE VLA 703/602	224-847V

Type with NEMA Type 4 enclosure	110 - 120 VAC @ 50 - 60 Hz Order No.
DMV-D VLA 702/604L	240-610V
DMV-D VLA 703/604L	241-436V
DMV-DLE VLA 702/604L	240-805V
DMV-DLE VLA 703/604L	241-435V

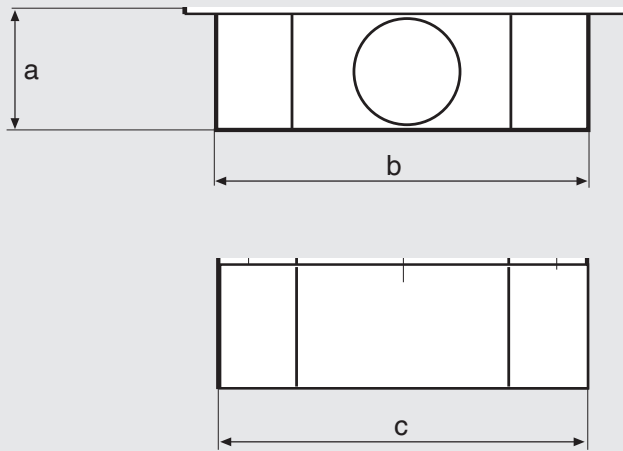
Type with two stage operation	110 - 120 VAC @50 - 60 Hz Order No.
DMV-ZRD VLA 701/602	231-844V
DMV-ZRD VLA 702/602	232-025V
DMV-ZRD VLA 703/602	232-025V
DMV-ZRDLE VLA 701/602	232-173V
DMV-ZRDLE VLA 702/602	232-214V
DMV-ZRDLE VLA 703/602	232-232V

Type with proof of closure	110 - 120 VAC @ 50 - 60 Hz Order No.
DMV-D VLA 701/622	243-761 VP
DMV-D VLA 702/622	230-791 VP
DMV-D VLA 703/622	230-793 VP
DMV-DLE VLA 701/622	244-000 VP
DMV-DLE VLA 702/622	230-792 VP
DMV-DLE VLA 703/622	230-794 VP

Type with proof of closure and NEMA Type 4 enclosure	110 - 120 VAC @ 50 - 60 Hz Order No.
DMV-D VLA 702/624L	244-167 VP
DMV-D VLA 703/624L	244-166 VP
DMV-DLE VLA 702/624L	244-168 VP
DMV-DLE VLA 703/624L	244-165 VP

Type with proof of closure and two stage operation	110 - 120 VAC @ 50 - 60 Hz Order No.
DMV-ZRD VLA 701/612	244-730 VP
DMV-ZRD VLA 702/612	244-732 VP
DMV-ZRD VLA 703/612	244-734 VP
DMV-ZRDLE VLA 701/612	244-731 VP
DMV-ZRDLE VLA 702/612	244-733 VP
DMV-ZRDLE VLA 703/612	244-735 VP

Dimensions



- The DMV 701 with VLA has a 3/4" NPT connection on both sides of the valve.
- The DMV 702/703 with VLA has a 1" NPT connection on both sides of the valve. A 1" to 3/4" reducer is required when a 3/4" vent valve is used.



VLA connection is perpendicular to main gas flow

Type	Dimensions of Vent Line Adapter as mounted to DMV valve [inch]*			Weight [lbs]
	Dimensions of Vent Line Adapter as mounted to DMV valve [mm]			
	a	b	c	
DMV 701	1.8	2.8	2.8	10.1
	46	71	71	4,6
DMV 702	2	4	4	12.1
	50	100	100	5,6
DMV 703	2	4	4	10.3
	50	100	100	4,7

* Refer to valve sales brochure to determine dimensions of specific valve body and add the dimensions shown above.

Vent Line Connection

Certain codes and authorities having jurisdiction specify the size of the vent line based on the main gas line diameter.

Typical requirements are:

- For main gas lines up to 1 1/2"; the vent line must be 3/4" minimum.
- For a 2" main gas line; the vent line must be 1" minimum.

We reserve the right to make any changes in the interest of technical progress.

**Dual Modular Safety
Shutoff Valves with
Vent Line Adapter**

**DMV/6x2 Series
DMV/6x4L Series
DMV-ZR/6x2 Series**

DUNGS®
Combustion Controls



**Karl Dungs Inc.
3890 Pheasant Ridge Drive NE
Suite 150
Blaine, MN 55449, U.S.A.
Phone 763 582-1700
Fax 763 582-1799
e-mail info@karldungsusa.com
Internet <http://www.dungs.com/usa/>**

**Karl Dungs GmbH & Co. KG
P.O. Box 12 29
D-73602 Schorndorf, Germany
Phone +49 (0)7181-804-0
Fax +49 (0)7181-804-166
e-mail info@dungs.com
Internet <http://www.dungs.com>**