

**Table of Contents**

Table of Contents ..... Page 1  
 Approvals ..... Page 1  
 Attention ..... Page 1  
 Specification ..... Page 2  
 Models Designations and Ranges ..... Page 2  
 Mounting ..... Page 2  
 Function ..... Page 2



**Approvals**



Approval for this part is covered under the safety valve certification.

**Attention**



The installation and maintenance of this product must be done under the supervision of an experienced and trained specialist. Never perform work if gas pressure or power is applied, or in the presence of an open flame.



On completion of work on the Visual Indicator, perform a leakage and function test.



Please read the instruction before installing or operating. Keep the instruction in a safe place. You find the instruction also at [www.dungs.com](http://www.dungs.com). If these instructions are not heeded, the result may be personal injury or damage to property.



This product is intended for installations covered by, but not limited to, the following codes and standards: NFPA 86, CSD-1, ANSI Z21.13, UL 795, NFPA 85, or CSA B149.3.



Any adjustment and application-specific adjustment values must be made in accordance with the equipment manufacturers instructions.

**Explanation of symbols**

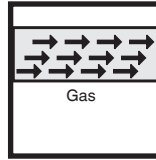
- 1, 2, 3 ... = Action
- = Instruction

## Specification

**Visual Indicator** The Visual Indicator (VI) is for use with the DUNGS SV (DLE), MV (D) (DLE), DMV-D(LE), and DMV-ZRD(LE) series of shutoff valves. The indicator mounts to the bottom of the valve and visually displays when the valve is open or closed.



**Pressure Rating**  
10 PSI



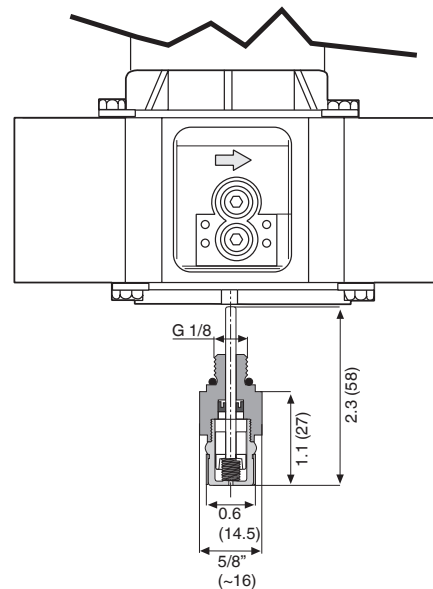
**Gases**  
Natural gas, propane, butane, non-corrosive gases, and air.

## Models Designations and Ranges

Type	Order No.
VI Visual Indicator (brass)	266949
VI Visual Indicator (stainless steel)	273546

## Mounting

1. Remove the plug and the o-ring on the bottom of the valve with a 5 mm hex key wrench.
2. Insert the Visual Indicator and its o-ring; using a 5/8" (16 mm) open end wrench, turn clockwise until the Visual Indicator is sufficiently tightened. DO NOT overtighten, or the o-ring can be damaged. An additional 1/8 to 1/4 turn after finger-tight is typically sufficient.
3. Be certain that the valve area where the stickers will be placed is clean before applying the stickers. Install the two aluminum adhesive-backed stickers (one on each side) of the valve body so the operator can refer to either of them while viewing the indicator.
4. Before putting the valve into service, test the indicator by opening and closing the valve to visually verify the indicator is working properly.
5. Apply a soapy water solution between the indicator and the valve body to verify that no leakage occurs.



**⚠ The shutoff valve must be de-energized and its gas supply shut off before installing the visual indicator.**

## Function

The valve position is indicated through the clear plastic cover. Red: the valve is open

**⚠ Reducing the main flow adjustment may limit the ability of the VI to indicate the opened position of the valve. At least 5/32" (3.5 mm) of stroke is required for the visual indicator to indicate an opened valve.**

We reserve the right to make modifications in the course of technical development.



**Karl Dungs, Inc.**  
3890 Pheasant Ridge Drive NE  
Suite 150  
Blaine, MN 55449, U.S.A.  
Phone 763 582-1700  
Fax 763 582-1799  
e-mail [info@karldungsusa.com](mailto:info@karldungsusa.com)  
Internet <http://www.dungs.com/usa/>

**Karl Dungs GmbH & Co. KG**  
P.O. Box 12 29  
D-73602 Schorndorf, Germany  
Phone +49 (0)7181-804-0  
Fax +49 (0)7181-804-166  
e-mail [info@dungs.com](mailto:info@dungs.com)  
Internet <http://www.dungs.com>