



**Automatic  
Reset**



**Manual  
Reset**

The Versa Plus gas pressure switch accurately monitors pressure and breaks the electrical control when pressure rises above or drops below the desired setpoint. It is made with a durable plastic enclosure and has a die-cast aluminum inlet base.

## Features

---

- Compact design.
- Accurate.
- Adjustable setpoints.
- Automatic or manual reset.
- Ventless.
- Cost-effective pricing.
- Custom design per OEM specifications.
- Mounts to any modular valve body.

## Antunes Controls

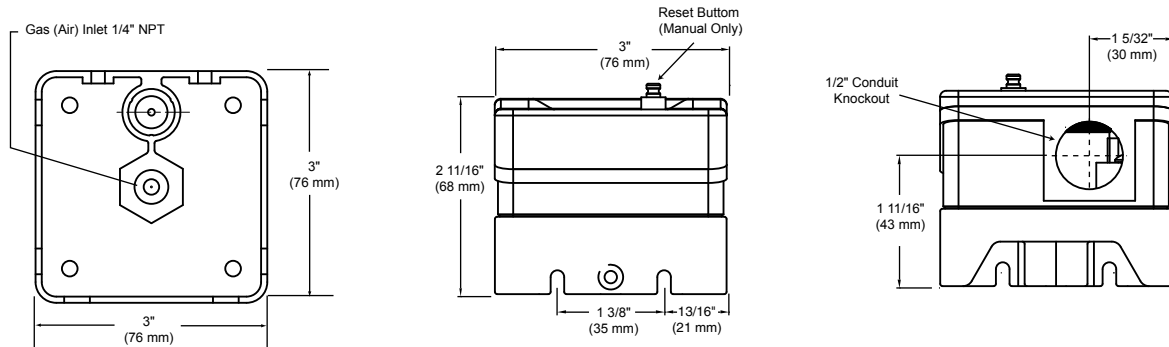
---

Since 1962, Antunes Controls has designed and manufactured exceptional quality products for applications that require precision mechanisms. From our earliest pressure switches, which are still manufactured today with only slight modifications, to our more advanced electronic controls and timers, Antunes Controls uses only the highest quality components and the highest standards to ensure each one of our products is durable and dependable. That is why our switches and controls can be found in buildings throughout the world.



# VERSA PLUS Gas Pressure Switch

## Dimensions



NOTE: Dimensions are for reference only.

### Low Ranges Available

Model	Part No.	W.C.	mbar
<i>Automatic Reset</i>			
FGA-L010	8261001010	0.5"–4"	1.2–10
FGA-L050	8261002050	1"–20"	2.5–50
FGA-L110	8261003110	5"–44"	12–110
<i>Manual Reset</i>			
FGM-L 010	8271001010	0.5"–4"	1.2–10
FGM-L 050	8271002050	1"–20"	2.5–50
FGM-L 075	8271003075	5"–30"	12–75
FGM-L 136	8271004136	7"–55"	17–136

### High Ranges Available

Model	Part No.	W.C.	mbar
<i>Automatic Reset</i>			
FGA-H010	8261005010	0.8"–4"	2–10
FGA-H050	8261006050	2"–20"	5–50
FGA-H087	8261007087	5"–35"	12–87
<i>Manual Reset</i>			
FGM-H 050	8271005050	2"–20"	5–50
FGM-H 087	8271006087	8"–35"	20–87
FGM-H 150	8271007150	10"–60"	25–150

### Specifications

#### Electrical Ratings

6A @ 120 VAC  
6A @ 240 VAC  
1/8 HP, 120 & 240 VAC

#### Adjustable Operating Pressure:

1.2 to 150 mbar  
0.5" W.C. to 60" W.C.  
(different ranges)

NOTE: To avoid initial line fill pressure spikes, unit should be placed downstream of the regulator.

#### Max. Surge Pressure:

7 PSI (482 mbar)

#### Ambient Operating Temperature:

5°F to 180°F (-15°C to 82°C)  
Field wiring to be rated @ 90°C (194°F) for maximum ambient

#### Shipping Weight:

.5 lbs. (.227 kg)

#### Options:

4-Pin DIN Connector  
Neon Lamp Indicator  
Side Mounting

Limitation of Liability. If it is understood and agreed that seller's liability whether in contract, in tort, under any warranty, in negligence or otherwise, shall not exceed the return of the amount of the purchase price paid by purchaser and under no circumstances shall seller be liable for special, indirect or consequential damages. The price stated for the equipment is a consideration in limiting seller's liability. No action, regardless of form, arising out of the transactions may be brought by purchaser more than one year after the cause of action has accrued.