

MODEL D Gas Pressure Switch



Model LGP-D
Single Gas
Pressure Switch



Model HLGP-D
High-Low Gas
Pressure Switch

The Model D is a high-low gas pressure switch that monitors pressure and cuts off the electrical control circuit when pressure rises above or drops below the desired setpoint. The high and low gas pressure settings are adjustable. All models are available in reset or recycle type.

Features

- Mount horizontally without need for accurate leveling.
- Double switch may be ordered with any combination of high or low pressure ranges.
- Select range to meet your requirements.
- Two circuit control—each setpoint controls two independent, dry contacts to switch to different voltages.
- Rugged die-cast aluminum housing.
- Max. surge pressure: 10 PSI.
- Max. ambient temperature: 140°F (60°C).
- Min. ambient temperature: -40°F (-40°C).

Antunes Controls

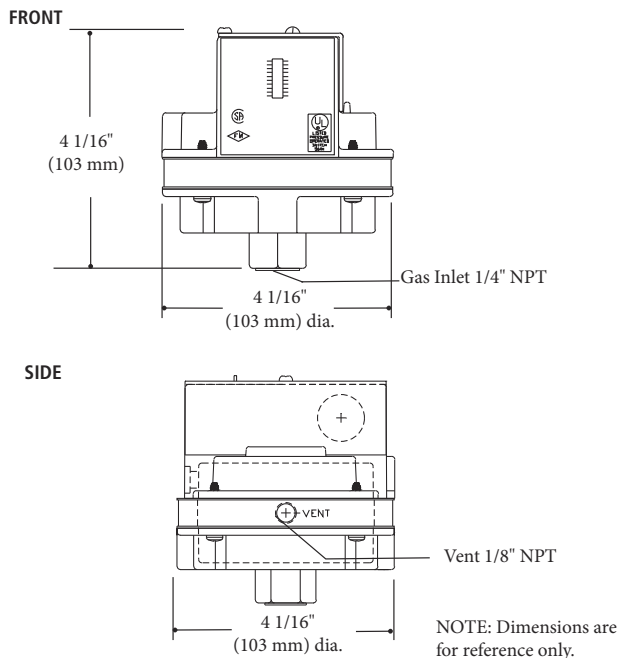
Since 1962, Antunes Controls has designed and manufactured exceptional quality products for applications that require precision mechanisms. From our earliest pressure switches, which are still manufactured today with only slight modifications, to our more advanced electronic controls and timers, Antunes Controls uses only the highest quality components and the highest standards to ensure each one of our products is durable and dependable. That is why our switches and controls can be found in buildings throughout the world.

For more information about Antunes Controls and its products, call (630) 784-1000 or visit www.antunescontrols.com.

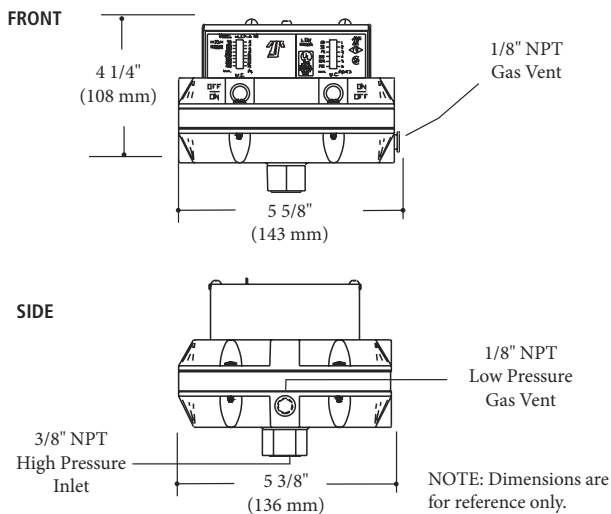


MODEL D Gas Pressure Switch

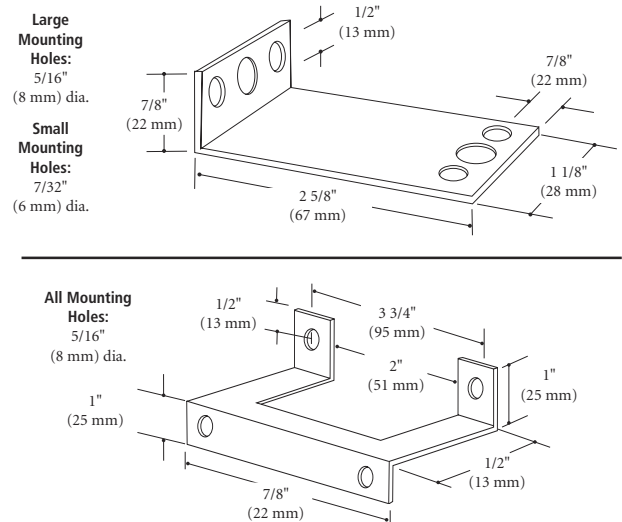
Dimensions: Single Gas Pressure Switch



Dimensions: High Low Gas Pressure Switch



Mounting Brackets



Ranges Available (All Models)

High Gas Pressure		Low Gas Pressure	
5-28" W.C.	125-700 mm	2-14" W.C.	50-350 mm
10-50" W.C.	250-1250 mm	10-50" W.C.	250-1250 mm

Specifications

Electrical Ratings: 4A, 1/8HP @ 125 VAC.; 3A, 1/4 HP @ 250 VAC.; Pilot Duty 125 VA @ 125-250 VAC.

Shipping Weight: HGP-D, LGP-D, RHGP-D, RLGP-D: 2 lbs. (.9 kg)
HLGP-D, RHLGP-D: 4 lbs. (1.8 kg)

Options

Panel Mount: Specify "Mounting Bracket" on order

Dust Proof: Specify "Dust Proof" on order (recycle type only).

Limitation of Liability. If it is understood and agreed that seller's liability whether in contract, in tort, under any warranty, in negligence or otherwise, shall not exceed the return of the amount of the purchase price paid by purchaser and under no circumstances shall seller be liable for special, indirect or consequential damages. The price stated for the equipment is a consideration in limiting seller's liability. No action, regardless of form, arising out of the transactions may be brought by purchaser more than one year after the cause of action has accrued.