

**Closed position indicator
switch
Type K01/1**

**for solenoid valves
MV.../5, SV... 510-520 V7
double solenoid valves
DMV.../11, DMV.../12
GasMultiBloc®
MB-... 405-420 B0x**

DUNGS®
Combustion Controls

12.01



Technical description

The K01/1 closed position indicator switch is a mechanically activated microswitch for monitoring the position of the valve plate in DUNGS multiple actuators and solenoid valves.

Application

The K01/1 can be easily mounted on all DUNGS safety solenoid valves and multiple actuators:

MV.../5 Rp 3/8 up to DN 150
ZR.../5
LGV.../5
HSAV.../5

MB-D(LE) 405 - 420 B0x
MB-ZRD(LE) 405 - 420 B0x
SV-(DLE) 510-520...V7

DMV-D(LE) 503/11 - 525/11
DMV-D(LE) 5040/11 - 5125/11

DMV-D 525/12
DMV-(DLE) 5065-5125/12

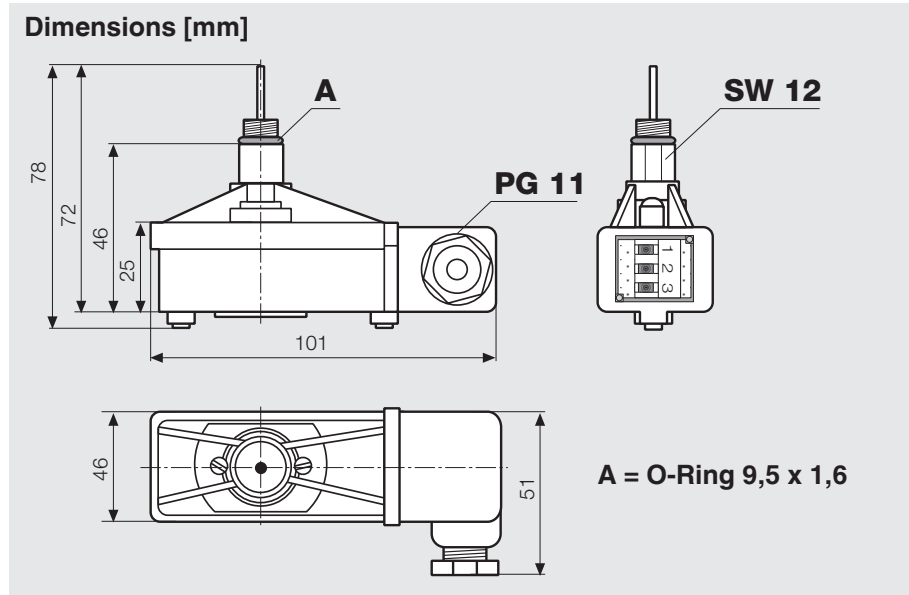
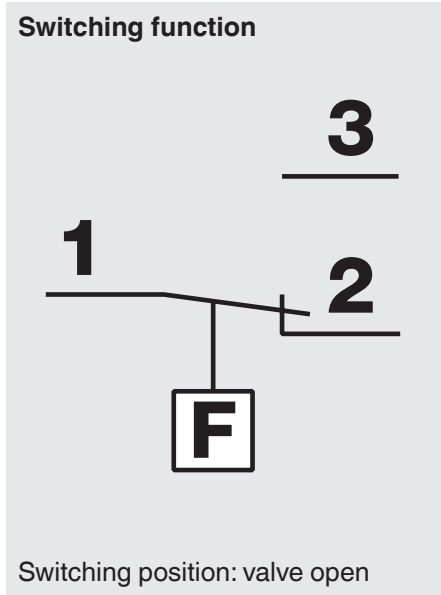
The K01/1 is suitable for gases of families 1, 2, 3 and other neutral gaseous media.

**Closed position indicator switch
Type K01/1**

**for solenoid valves
MV.../5, SV... 510-520 V7
double solenoid valves
DMV.../11, DMV.../12
GasMultiBloc®
MB-... 405-420 B0x**



Specifications	
Connection	G 1/8
Max. operating pressure	500 mbar (50 kPa)
Closed position signal contact	Indicator switch as per EN 161
Electrical connection	At screw terminals via PG* 11 cable gland (* heavy-gauge conduit thread)
Switching performance	5 A ohmic load, max. 250 V AC 3 A inductive load, cos. φ 0.6
Degree of protection	IP 54 as per IEC 529 (DIN EN 60 529) IP 65 on request
Ambient temperature	-15 °C to +70 °C
Installation position	Vertically upright to lying horizontally. Refer to operating and assembly instructions for multiple actuators (valve).
Order No.	Closed position indicator switch K01/1 IP 54: 211 202 Closed position indicator switch K01/1 IP 65: 214 908



We reserve the right to make any changes in the interest of technical progress.

**D-73660 Urbach, Germany
Telephone +49 (0)7181-804-0
Fax +49 (0)7181-804-166**

**Postal address
Karl Dungs GmbH & Co. KG
Postfach 12 29
D-73602 Schorndorf, Germany
e-mail info@dungs.com
Internet www.dungs.com**