



**Model LGP-D**  
**Single Gas**  
**Pressure Switch**



**Model HLGP-D**  
**High-Low Gas**  
**Pressure Switch**

## Gas Pressure Switches Model D

Antunes Controls high-low single gas pressure switches monitor gas pressure and cut off the electrical control circuit when pressure drops below or rises above the desired setpoint. The high and low gas pressure settings are adjustable and all models are available in reset or recycle type.

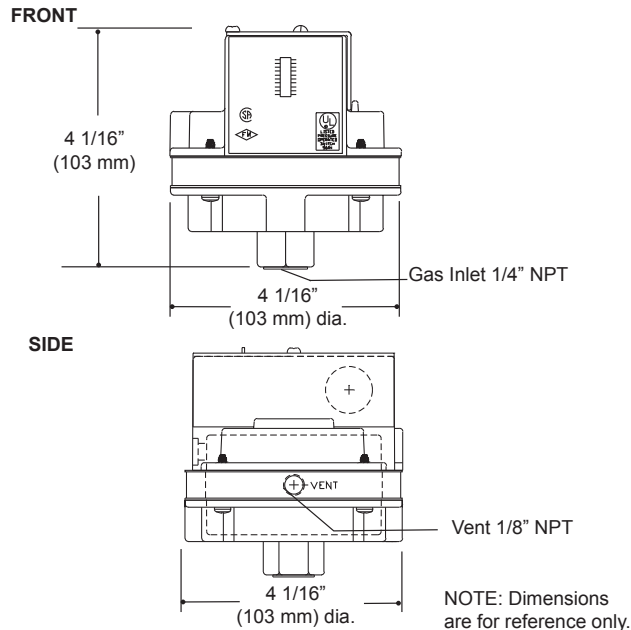
### Features:

- Mount horizontally without need for accurate leveling.
- Double switch may be ordered with any combination of high or low pressure ranges.
- Select range to meet your requirements.
- Two circuit control—each setpoint controls two independent, dry contacts to switch to different voltages.
- Rugged die cast aluminum housing.
- Max. surge pressure: 10 PSI.
- Max. ambient temperature: 140°F (60°C).
- Min. ambient temperature: -40°F (-40°C).

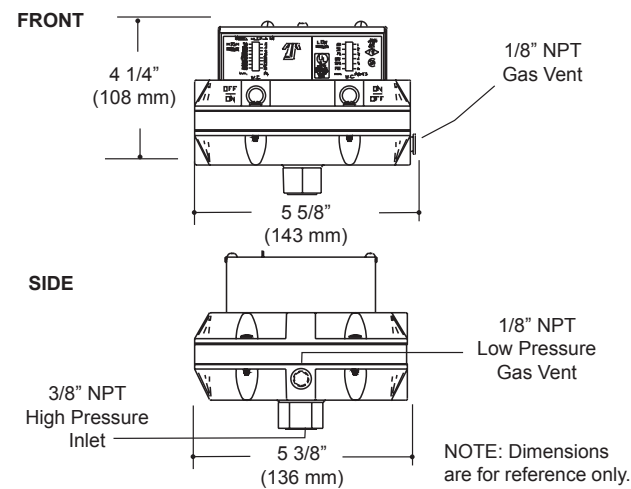


## Gas Pressure Switches Model D

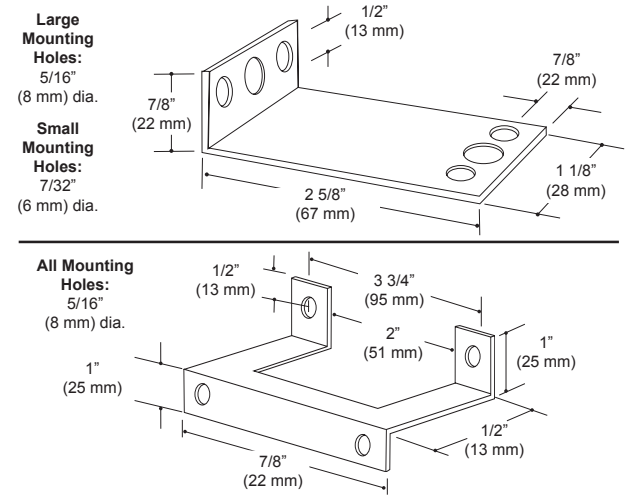
### Dimensions: Single Gas Pressure Switch



### Dimensions: High Low Gas Pressure Switch



### Mounting Brackets



### Ranges Available (All Models)

High Gas Pressure		Low Gas Pressure	
5-28" W.C.	125-700 mm	2-14" W.C.	50-350 mm
10-50" W.C.	250-1250 mm	10-50" W.C.	250-1250 mm

### Specifications

**Electrical Ratings:** 4A, 1/8HP @ 125 VAC.; 3A, 1/4 HP @ 250 VAC.; Pilot Duty 125 VA @ 125-250 VAC.  
**Shipping Weight:** HGP-D, LGP-D, RHGP-D, RLGP-D: 2 lbs. (.9 kg)  
HLGP-D, RHLGP-D: 4 lbs. (1.8 kg)

### Options

**Panel Mount:** Specify "Mounting Bracket" on order  
**Dust Proof:** Specify "Dust Proof" on order (recycle type only).

**Limitation of Liability:** If it is understood and agreed that seller's liability whether in contract, in tort, under any warranty, in negligence or otherwise, shall not exceed the return of the amount of the purchase price paid by purchaser and under no circumstances shall seller be liable for special, indirect or consequential damages. The price stated for the equipment is a consideration in limiting seller's liability. No action, regardless of form, arising out of the transactions may be brought by purchaser more than one year after the cause of action has accrued.