

## Model D Installation Information

### ⚠ IMPORTANT ⚠

Please read these instructions carefully to assure correct installation. This equipment must be installed only by a licensed electrician who is experienced with combustion safeguard control systems and understands the functions of interlocking switches, such as gas pressure switches. Prior to being put into operation in conjunction with the combustion safeguard systems, all switches should be tested for proper range setting and proper wiring. Check piping connections and switch house for leaks with a soap bubble test. All exhaust fans and blowers should be inspected and checked for proper rotation prior to starting up.

### Model D Switches

You are installing one of the finest switches of its type on the market. The Model D is adjustable within its range as shown on the range scale located on the front of the unit. The latch position in the reset models and the level indicator position in the recycle models shows whether the switch is on or off.

### Specifications

**Electrical Ratings:** 4A, 1/8 HP @ 125 VAC; 3A, 1/4 HP @ 25 VAC.; Pilot Duty 125 VA @125-250 VAC

**Max. Surge Pressure:** 10 PSI

**Max Operating Pressure:** 8 PSIG

**Max. Ambient Operating Temperature:** 140°F (60°C)

**Min. Ambient Operating Temperature:** -40°F (-40°C)

**Shipping Weight:** HGP-D, LGP-D, RHGP-D, RLGP-D: 2 lbs. (.9 kg)

HLGP-D, RHLGP-D: 4 lbs. (1.8 kg)

#### Options:

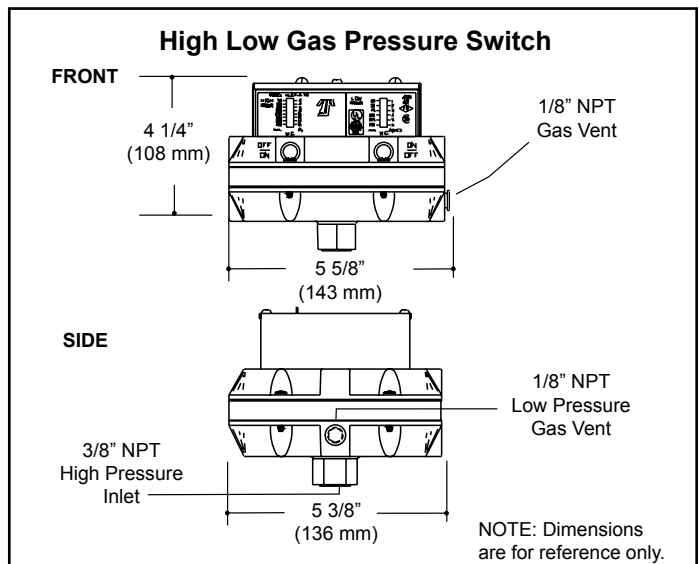
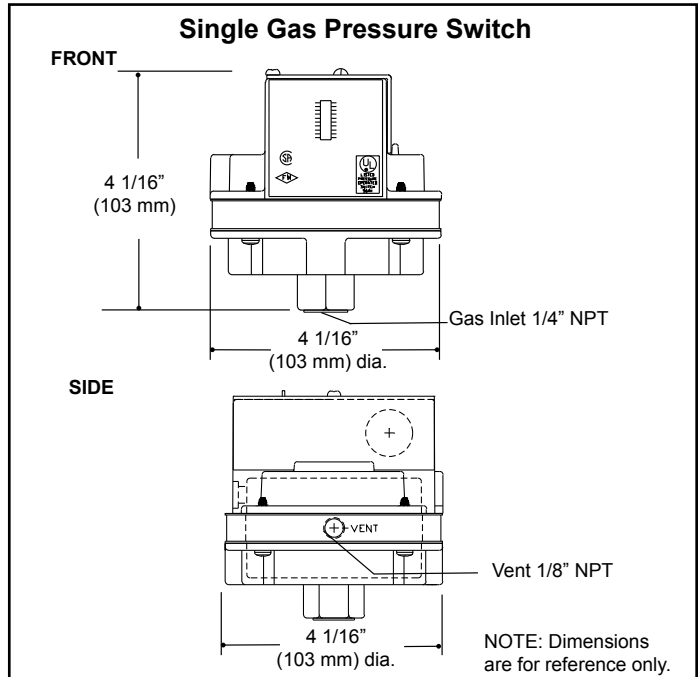
Panel Mount

Dust Proof

### Range Available

High Gas Pressure		Low Gas Pressure	
5-28" W.C.	125-700 mm	2-14" W.C.	50-350 mm
10-50" W.C.	250-1250 mm	10-50" W.C.	250-1250 mm

### Dimensions



## Model D Installation Information

### Electrical Wiring - Combination Models

<b>Reset HLGP-D</b>	<p><b>Model: HLGP-D</b>  <b>Duty:</b> High Low Gas Reset Switch  <b>Elec. Rating:</b> 4A, 125 VAC, 3A, 250-277 VAC                      1/8 HP @ 125 VAC, 1/4 HP @ 250 VAC  <b>Pilot Duty:</b> 125 VA, 125-250 VAC</p>
	<p>Reset lever will latch when gas pressure is <b>below</b> setting</p> <p>Reset lever will latch when gas pressure is <b>above</b> setting</p> <p>Field wiring to be rated @75°C for max 120°F Ambient                      Field wiring to be rated @90°C for max 140°F Ambient                      Max Surge Pressure: 10 PSIG</p>

<b>Reset RHLGP-D</b>	<p><b>Model: RHLGP-D</b>  <b>Duty:</b> High Low Gas Reset Switch  <b>Elec. Rating:</b> 4A, 125 VAC, 3A, 250-277 VAC                      1/8 HP @ 125 VAC, 1/4 HP @ 250 VAC  <b>Pilot Duty:</b> 125 VA, 125-250 VAC</p>
	<p>Contacts C &amp; NC break when pressure rises <b>above</b> setting</p> <p>Contacts C &amp; NO make when pressure rises <b>above</b> setting</p> <p>Field wiring to be rated @75°C for max 120°F Ambient                      Field wiring to be rated @90°C for max 140°F Ambient                      Max Surge Pressure: 10 PSIG</p>

### Electrical Wiring - Single Models

<b>Reset HGP-D</b>	<p><b>Model: HGP-D</b>  <b>Duty:</b> High Gas Reset Switch  <b>Elec. Rating:</b> 4A, 125 VAC, 3A, 250-277 VAC                      1/8 HP @ 125 VAC, 1/4 HP @ 250 VAC  <b>Pilot Duty:</b> 125 VA, 125-250 VAC</p>
	<p>Reset lever will latch when gas pressure is below setting contact C &amp; NC make</p> <p>Field wiring to be rated @75°C for max 120°F Ambient                      Field wiring to be rated @90°C for max 140°F Ambient                      Max Surge Pressure: 10 PSIG</p>

<b>Reset LGP-D</b>	<p><b>Model: LGP-D</b>  <b>Duty:</b> Low Gas Reset Switch  <b>Elec. Rating:</b> 4A, 125 VAC, 3A, 250-277 VAC                      1/8 HP @ 125 VAC, 1/4 HP @ 250 VAC  <b>Pilot Duty:</b> 125 VA, 125-250 VAC</p>
	<p>Reset lever will latch when gas pressure is above setting contact C &amp; NO make</p> <p>Field wiring to be rated @75°C for max 120°F Ambient                      Field wiring to be rated @90°C for max 140°F Ambient                      Max Surge Pressure: 10 PSIG</p>

<b>Recycle RHGP-D</b>	<p><b>Model: RHGP-D</b>  <b>Duty:</b> High Gas Recycle Switch  <b>Elec. Rating:</b> 4A, 125 VAC, 3A, 250-277 VAC                      1/8 HP @ 125 VAC, 1/4 HP @ 250 VAC  <b>Pilot Duty:</b> 125 VA, 125-250 VAC</p>
	<p>Contacts C &amp; NC break when pressure rises above setting</p> <p>Field wiring to be rated @75°C for max 120°F Ambient                      Field wiring to be rated @90°C for max 140°F Ambient                      Max Surge Pressure: 10 PSIG</p>

<b>Recycle RLGP-D</b>	<p><b>Model: RLGP-D</b>  <b>Duty:</b> Low Gas Recycle Switch  <b>Elec. Rating:</b> 4A, 125 VAC, 3A, 250-277 VAC                      1/8 HP @ 125 VAC, 1/4 HP @ 250 VAC  <b>Pilot Duty:</b> 125 VA, 125-250 VAC</p>
	<p>Contacts C &amp; NO make when pressure rises above setting</p> <p>Field wiring to be rated @75°C for max 120°F Ambient                      Field wiring to be rated @90°C for max 140°F Ambient                      Max Surge Pressure: 10 PSIG</p>

## Model D Installation Information

### Operation

**Low Gas Pressure:** Low gas pressure switches break the electrical circuit on pressure drop at the point when gas pressure becomes lower than the indicated set pressure.

Before the manual reset latch can be properly latched, gas pressure in the chamber must be higher than the indicated setting. The position of the reset latch on the top cover of the switch shows whether reset latch is in the on or off position. Reset latch must be in "on" position after latching to be properly set.

**High Gas Pressure:** High gas pressure switches break the electrical circuit when pressure rises above the indicated preset pressure. The reset latch should be latched in the "on" position if the gas pressure in the switch chamber is below the indicated high setting.

**Recycle Models:** High and Low Gas Pressure Recycle models operate automatically and do not need to be reset. Otherwise they are constructed, adjusted, and operate in the same manner as the reset models.

**Combination Models:** The combination unit contains one high pressure unit and one low pressure unit, in the ranges you select. They may be either reset or recycle type. Each unit has an on/off indicator and its own range scale indicator.

### Mounting

All gas pressure switches must be mounted in a horizontal position with the inlet stem down. Switches should be reasonably level but do not require accurate leveling.

Single gas switch models have a 1/4" NPT. gas inlet.

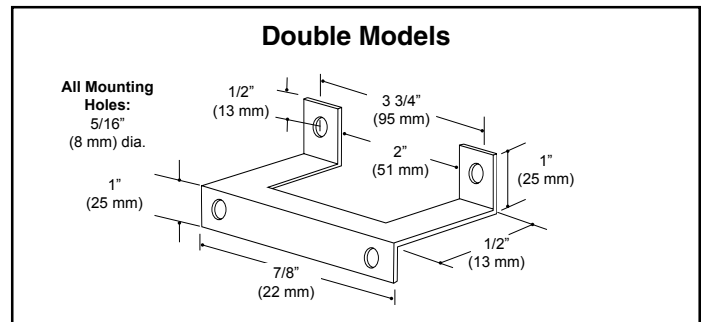
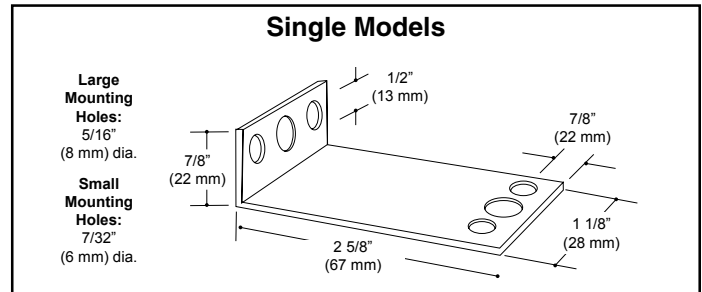
Double combination Hi-Lo switches have a 3/8" NPT. for high pressure inlet and a 1/8" NPT. for low pressure inlet.

Gas vent outlets are 1/8" NPT. on all models.

Piping can be either standard black pipe or aluminum tubing.

All switches can be supported by the inlet pipe, but optional mounting brackets are available if needed.

All switches have been factory-calibrated and tested for leaks. However, it is recommended that after the installation is completed, switch, gas pipe inlets, and connections be tested for leaks with a soap bubble test.



## Model D Installation Information

### Warranty

1. Antunes Controls products are guaranteed to be free from mechanical and electrical defects for a period of one year from date of shipment under normal use and service provided installation is made in accordance with manufacturers' recommendations.
2. Parts deemed defective shall be repaired or replaced at manufacturers option and at manufacturers expense but shall not include foreign or federal excise taxes, state or municipal sale or use taxes, all such taxes not limited to the foregoing being responsibility of the purchaser.
3. No charge for travel and/or mileage will be allowed to purchaser.
4. Antunes Controls reserves the right to make changes in design or make any improvements on any products. The right is always reserved to modify our equipment because of new technology, underwriter's requirements and/or government regulations.
5. The following are not covered under warranty:
  - a. Failure from neglect, abuse, careless handling and mis-application of unit.
  - b. Failure to observe guidelines for installation or improper voltage hook-up.
  - c. Failure caused by improper maintenance.
  - d. Unless specifically allowed by Antunes Controls, no other charges may be included under warranty.

**Limitation of Liability:** If it is understood and agreed that seller's liability whether in contract, in tort, under any warranty, in negligence or otherwise, shall not exceed the return of the amount of the purchase price paid by purchaser and under no circumstances shall seller be liable for special, indirect or consequential damages. The price stated for the equipment is a consideration in limiting seller's liability. No action, regardless of form, arising out of the transactions may be brought by purchaser more than one year after the cause of action has accrued.



A.J. Antunes & Co.  
Headquarters/Manufacturing  
180 Kehoe Boulevard  
Carol Stream, Illinois 60188 USA  
Phone (630) 784-1000  
Toll Free (800) 253-2991  
Fax: (630) 784-1650

Antunes Equipment  
Manufacturing (Suzhou) Ltd.,  
9 Hou Ju Road, Building #24,  
S&T Park, SND  
Suzhou, Jiangsu, China 215011  
Phone: 86-512-6841-3637  
Fax: 86-512-6841-3907

www.ajantunes.com