

Versa Plus Air Pressure Switches



**NPT
Base**



**Hose Barb
Base**

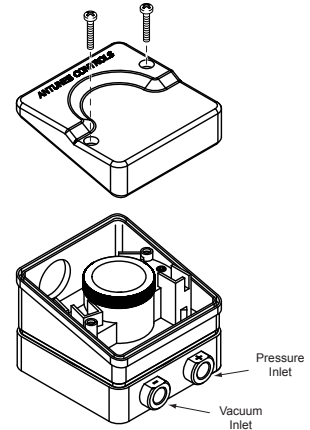
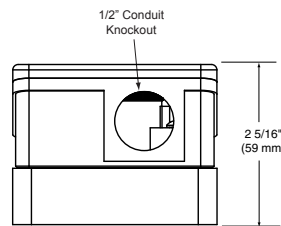
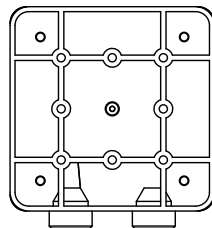
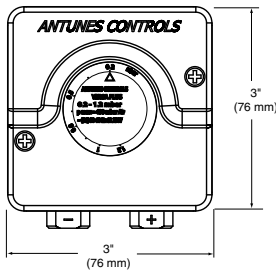
Antunes Controls' new line of Versa Plus Air pressure switches monitor positive, vacuum, or differential air pressures. The integrated contacts make or break the circuit to the desired setpoint. The large adjustment knob provides setpoint indication and aids in ease of adjustment. The Versa Plus Air series can be factory adjusted for applications that require other differential settings.

Features:

- Compact design.
- Accurate.
- Setpoint indication.
- Adjustable differential.
- Integrated contacts.
- Cost-effective pricing.
- Large scale ranges from 0.2–110 mbar (0.08"–44" W.C.)

Dimensions

(NPT base shown)



NOTE: Dimensions are for reference only.

Ranges Available

Model	Part No.	W.C.	mbar
<i>NPT Switches (activate on pressure fall/vertical mount)</i>			
FAN 1.2	8281001003	.08"–.48"	0.2–1.2
FAN 010	8281002010	.48"–4"	1.2–10
<i>NPT Switches (activate on pressure rise/horizontal mount)</i>			
FAN 050	8281003050	1"–20"	2.5–50
FAN 110	8281004110	4.8"–44"	12–110
<i>Hose Barb Switches (activate on pressure fall/vertical mount)</i>			
FAB 1.2	8291001003	.08"–.48"	0.2–1.2
FAB 010	8291002010	.48"–4"	1.2–10
<i>Hose Barb Switches (activate on pressure rise/horizontal mount)</i>			
FAB 050	8291003050	1"–20"	2.5–50
FAB 110	8291004110	4.8"–44"	12–110

Maintenance

No specific maintenance is required. However, it is recommended that all wiring be inspected for loose connections and damaged wires. Disconnect power to the panel before performing any maintenance. Replace any damaged wires and tighten all connections.

Specifications

Electrical Ratings:

6A @ 120 VAC
6A @ 240 VAC
1/8 HP, 120 & 240 VAC
Integrated S.P.D.T. contacts

Adjustable Operating Pressure:

0.2 to 110 mbar (different ranges)

Max. Surge Pressure:

7 PSI (482 mbar)

Pressure Connections:

1/8" NPT positive & vacuum ports;
1/4" hose barb OD.

Ambient Operating Temperature:

5°F to 180°F (-15°C to 82°C)

Field wiring to be rated @ 90°C (194°F) for maximum ambient

Shipping Weight:

.5 lbs. (.227 kg)

Options:

Mounting brackets can be oriented in any of the 90° positions.

Limitation of Liability: If it is understood and agreed that seller's liability whether in contract, in tort, under any warranty, in negligence or otherwise, shall not exceed the return of the amount of the purchase price paid by purchaser and under no circumstances shall seller be liable for special, indirect or consequential damages. The price stated for the equipment is a consideration in limiting seller's liability. No action, regardless of form, arising out of the transactions may be brought by purchaser more than one year after the cause of action has accrued.