

# Brass Ball Valve

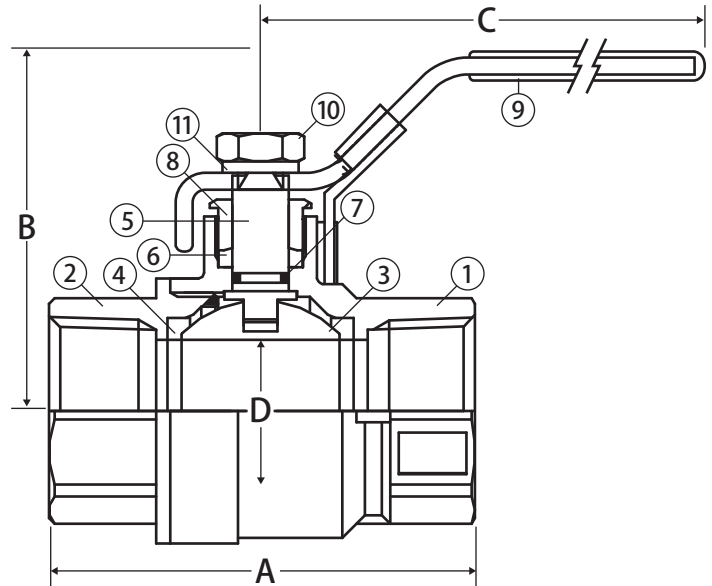


**2 Piece • Full Port • Threaded Connection • 600 WOG •  
with Latch Lock Handle**



**JF-100T-LH**

CRN# OC16654.5



## Features

- Gland follower and single o-ring stem design
- Blow-out proof stem
- Latch lock handle
- 100% leak tested

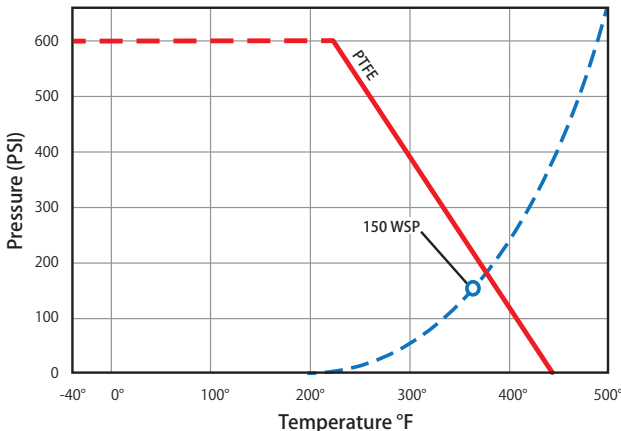
## Approvals



- UL Listed up to 175 PSI (1/4" - 2")
  - MHKZ - Manual valves
  - YRPV - Gas shut-off valves
- CSA Certified
  - CGA 3.16 (125 PSIG)
  - ANSI Z21.15 (.5 PSIG)
  - CGA CR91 (5 PSIG)
  - ASME B16.44 (5 PSIG)
  - ASME B16.33 (1/2" - 2")
  - ASME B16.38 (2-1/2" - 3")
- FM Approval (1/4" - 2")
- MSS SP-110
- ANSI B1.20.1

## Valve Seat Rating

600 WOG - 150 WSP



## Material Specifications

No.	Part	Materials
1	Body	Brass - C37700
2	End Connection	Brass - C37700
3	Ball	Chrome Plated Brass - C37700
4	Seat (2)	PTFE
5	Stem	Brass - C37700
6	Packing	PTFE
7	Stem O-ring	Buna-N
8	Packing Gland	Brass - C37700
9	Handle	Steel - Chrome Plated
10	Handle Nut	Steel - Chrome Plated
11	Lock Washer	Steel - Chrome Plated

## Dimensions

Part No.	Size	A	B	C	D
100-101LH	1/4"	1.73	2.63	4.49	0.39
100-102LH	3/8"	1.73	2.63	4.49	0.39
100-103LH	1/2"	2.28	2.69	4.49	0.59
100-104LH	3/4"	2.52	2.91	4.86	0.75
100-105LH	1"	2.97	3.22	4.86	0.98
100-106LH	1-1/4"	3.44	3.45	5.59	1.26
100-107LH	1-1/2"	3.88	3.59	5.59	1.57
100-108LH	2"	4.29	3.97	5.59	1.97
100-109LH	2-1/2"	5.59	4.88	7.35	2.52
100-110LH	3"	6.34	5.25	7.35	2.95