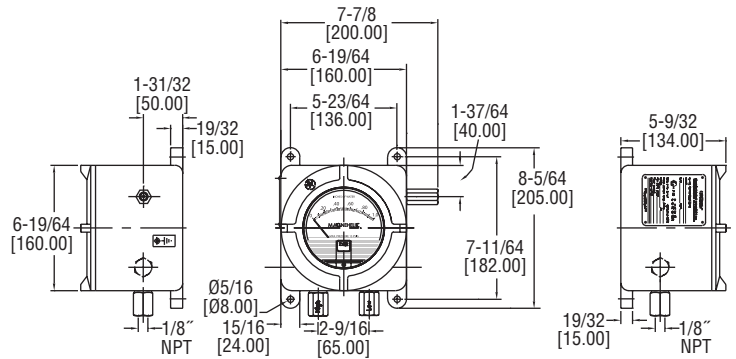


ATEX APPROVED SERIES 2000 MAGNEHELIC® DIFFERENTIAL PRESSURE GAGE

Magnehelic® Gage in Flame-Proof ATEX Enclosure



The popular **SERIES AT22000** Magnehelic® Differential Pressure Gage is now available in a flame-proof ATEX enclosure with the new ATEX approved AT22000 Series. This gage can indicate positive, negative or differential pressures and is accurate within 2%.

FEATURES/BENEFITS

- ATEX housing provides all the capabilities and value of the Magnehelic® in a flame & explosion proof enclosure
- Quick response to pressure changes means no delay in assessing critical situations
- Durable and rugged housing and high-quality components combined provides long-service life and minimized down-time
- High impact strength and high temperature rated for applications where hazardous environments exist

APPLICATIONS

- Fan and blower pressures
- Filter resistance
- Air velocity
- Furnace draft
- Liquid levels with bubbler systems
- Pressure in fluid amplifier or fluidic systems

Attention: Check local safety rules and warnings on unit and manual for a correct use of the instrument in hazardous area.

RANGE CHART					
Model	Range in w.c.	Model	Range in w.c.	Model	Range in w.c.
2000-00N	.05 to 0 to .2	2006	0 to 6.0	2040	0 to 40
2000-00	0 to .25	2008	0 to 8.0	2050	0 to 50
2000-0	0 to .50	2010	0 to 10	2060	0 to 60
2001	0 to 1.0	2012	0 to 12	2080	0 to 80
2002	0 to 2.0	2015	0 to 15	2100	0 to 100
2003	0 to 3.0	2020	0 to 20	2120	0 to 120
2004	0 to 4.0	2025	0 to 25	2150	0 to 150
2005	0 to 5.0	2030	0 to 30	2160	0 to 160

MODEL CHART										
Example	AT2	2001	-X	X	-A	O	1	X	T2	AT22001-XX-AO1XT2
Housing	AT2									ATEX Approved Series 2000 Magnehelic® Differential Pressure Gage
Range		2XXX								Specify range by using Magnehelic® model number. See range chart.
Pressure Rating			X MP HP							Standard from -20 in Hg to 15 psig static pressure Medium pressure-max. static 35 psig High pressure-max. static 80 psig
Temperature Rating				X LT						Standard temperature limits -6.67 to 60°C Low temperature limit to -28.8°C
Housing Material					A					Aluminum
Cover						O				Glass cover
Process Connection							1 2			1/8" NPT female brass ports 1/8" NPT female SS ports
Overpressure Plug								X OPV		Standard without overpressure relief valve Overpressure relief valve Material same as ports
Tag									T2	SS information label

For other engineering unit ranges contact the factory.

SPECIFICATIONS

- Service:** Air and non-combustible, compatible gases.
- Wetted Materials:** Consult factory.
- Magnehelic® Housing:** Die cast aluminum case & bezel with acrylic cover; Exterior finish is coated gray to withstand 168 hour salt spray corrosion test.
- Housing Material:** Aluminum.
- Finishing:** Texture epoxy coat RAL7038.
- Accuracy:** ±2% of FS (±3% on -0, -100PA, -125PA, -10MM and ±4% on -00, -60PA, -6MM ranges), throughout range at 70°F (21.1°C).
- Pressure Limits:** -20 in Hg to 15 psig (-0.677 bar to 1.034 bar); MP option; 35 psig (2.41 bar), HP option; 80 psig (5.52 bar).
- Overpressure:** Relief plug opens at approximately 25 psig (1.72 bar), standard gages only. ①
- Temperature Limits:** 20 to 140°F (-6.67 to 60°C); Low temperature option: -20°F (-28.8°C); Case: -76 to 140°F (-60 to 60°C) (**Note:** Product temperature limits are less than case limits).
- Mounting Orientation:** Diaphragm in vertical position.
- Enclosure Rating:** IP66. IP65 with option OPV, overpressure relief valve.
- Process Connections:** 1/8" NPT female brass (SS optional). In presence of acetylene it is necessary to use SS.
- Weight:** 8.6 lb (3.9 kg).
- ATEX Approved Product from Comhas with ECN:** BVI 14ATEX0072.
- Agency Approvals:** CE 1370 Ex II 2 GD Ex d IIC Gb T6; -60°C ≤ Ta ≤ +60°C Ex tb IIIC Db T 85°C.

① Over Protection Note: See page 21 (Series 2000)