

SERIES SGY & SGZ | 2.5" INDUSTRIAL PRESSURE GAGES

FEATURES/BENEFITS

- Stainless steel housing and wetted parts to resist ambient corrosion for longer service life in harsh environments
- Higher accuracy gage for value-sensitive applications requiring more precise measurement and where vibration is a concern
- Optional sliding pointer clearly mark to make visible critical ranges and high and low points
- Liquid fillable gage with easy open breather plug provides smoother damped movement of pointer
- Back or bottom mounting and compact size provides for mounting with dimensional limitations

APPLICATIONS

- Vacuums in pneumatic conveying lines
- Positive pressure in compressed air headers
- Corrosive ambient environments

DESCRIPTION

The **Series SGY & SGZ 2.5" Industrial Pressure Gages** have dual psi and bar (x100 kPa) scales with $\pm 1.5\%$ full-scale accuracy. The Series SGZ and SGY gages are designed with 304 SS housings and the SGZ is designed with 316 SS wetted parts for excellent chemical compatibility or SGY brass wetted parts for compatible gases. These gages cover a wide variety of ranges in either bottom or back connection configurations. Series SGZ gages employ an easy-open breather plug on top, which allows liquid filled units to breathe, relieving any built up internal pressures. Plug easily pops open and does not need to be entirely removed or cut like a typical gages' rubber plug grommet.



SGZ Bottom



SGZ Back with Accessory Pointers



SGY Bottom



SGY Back with Accessory Pointers

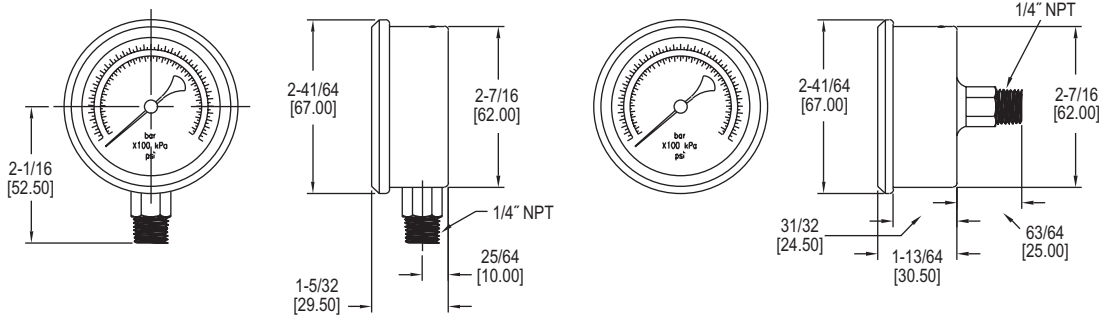
SPECIFICATIONS

Service	Compatible liquids and gases.
Wetted Materials	SGZ: 316 L SS Tube, 316 SS connector; SGY: Brass connection, bronze tube.
Housing	304 SS.
Lens	Polycarbonate.
Accuracy	$\pm 1.5\%$ FS.
Pressure Limit	FS range.
Temperature Limits	-4 to 140°F (-20 to 60°C).
Size	2.5" (63 mm).
Process Connections	1/4 male NPT.
Weight	4.9 oz (141 g) bottom, 5.8 oz (164 g) back. Add 3.7 oz (104 g) for glycerin fill.



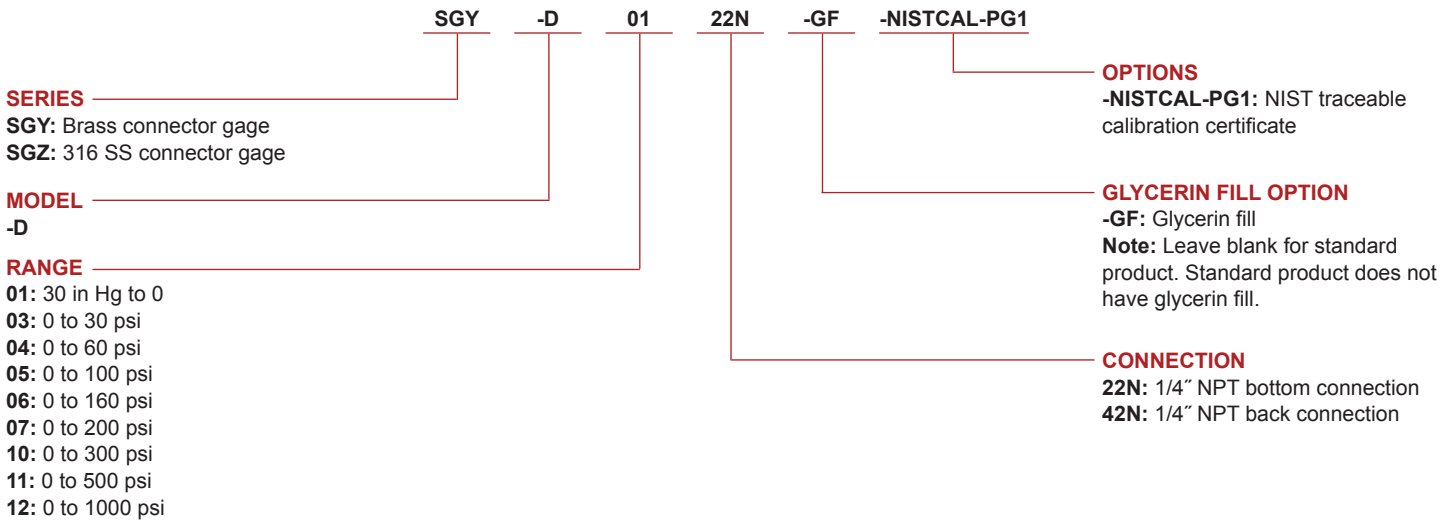


DIMENSIONS



HOW TO ORDER

Use the **bold** characters from the chart below to construct a product code.



ACCESSORIES

Model	Description
A-445D	U-bracket mounting kit for 2.5" gage
A-499R	Red sliding color pointer
A-499Y	Yellow sliding color pointer
A-499G	Green sliding color pointer.

Important Notice: Dwyer Instruments, Inc. reserves the right to make changes to or discontinue any product or service identified in this publication without notice. Dwyer advises its customers to obtain the latest version of the relevant information to verify, before placing any orders, that the information being relied upon is current.

