

1032 SERIES LARGE CAPACITY DUAL FUEL OIL/GAS, AMBIENT OR PREHEATED AIR BURNER

CAPABILITIES

- Short, compact, clear and bushy flame
- Suitable for rich gases and most oils
- 10% to 300% excess air through burner with rich gaseous fuels and light oils
- 10% to 100% excess air through burner with residual oil
- Additional excess air may be introduced down-stream of burner's port
- At least 7:1 turndown even with oil
- Operates with moderate air and fuel pressures
- Standard design suitable for furnace pressure of -1" wc to +5" wc
- Special designs available for other furnace conditions



FEATURES

- Rugged fabricated construction
- Flame stabilization with all refractory or refractory faced fabricated plate and tube baffle
- Baffle shields burner internals from flame convection and chamber radiation
- Designed for cold air or preheated air to 600°F (315°C) with external insulation of the burner
- Suitable for high chamber operating temperature

CONTROL

- Metered Flow
- Linked Valves
- Fuel Modulation only

FLAME MONITORING

- U.V. Detector

APPLICATIONS

- Air Heaters
- Thermal Oxidizers
- Dryers
- Kilns
- Boilers
- Others

BURNER IGNITION

- Pilot only

FUEL CAPABILITIES

- Natural Gas
- LPG
- Light Oil
- Heavy Oil

OPTIONS

- Second standby oil gun to ensure uninterrupted operation
- Designs are available for windbox installations
- Burner block/tile can be supplied
- Low Btu gas designs

CAUTION: The improper use of combustion equipment can result in a condition hazardous to people and property. Users are urged to comply with National Safety Standards and/or Insurance Underwriters recommendations

1032 SERIES LARGE CAPACITY DUAL FUEL OIL/GAS, AMBIENT OR PREHEATED AIR BURNER

GENERAL DIMENSIONS – 020-31

Catalog No. 1032-	A	B	C	D	E	F	G	H	J	K	L	M	N	P	R	S	T	U	V	W	X	Y	Z
020	22	14	8	75.5	9.00	18.5	16	6	20.5	36.0	28	39.0	42.0	17	25.00	1.75	6.5	1	½	.75	.25	.5	3
	559	356	203	1918	229	470	406	152	521	914	711	991	1067	432	635	44	165	25	13	19	6	13	76
025	30	16	8	94.38	10.00	22.0	20	6	25.5	44.0	36	47.0	50.0	21	27.50	2.25	6.5	3	½	.75	.25	.5	4
	762	406	203	2397	254	559	508	152	648	1118	914	1194	1270	533	699	57	165	76	13	19	6	13	102
031	36	20	8	106.38	12.75	27.5	24	6	31.0	49.5	42	52.5	55.5	24	31.38	2.25	6.5	3	1 ¼	.75	.25	.5	4
	914	508	203	2702	324	699	610	152	787	1257	1067	1334	1410	610	797	57	165	76	32	19	6	13	102

Inches in black and mm in blue

Catalog No. 1032-	AA	AB	AC	AD	AE	AF	AG	AH	AJ	AK	AL	AM	AN	AP	AR	AS	AT	AU	AV	AW	AX	AY	AZ
020	.25	.38	26.5	4.13	4	4.13	16.5	18.5	4.13	2	4.25	8.50	.56	20	36	32	.88	16	1.13	18	8.06	-	-
	6	10	673	105	102	105	419	470	105	51	108	216	14	508	914	813	22	406	29	457	205	-	-
025	.25	.38	34.5	4.38	6	4.00	24.0	20.5	3.75	3	3.75	11.25	.56	26	44	40	.88	20	1.13	28	8.06	28.81	5
	6	10	876	111	152	102	610	521	95	76	95	286	14	660	1118	1016	22	508	29	711	205	732	127
031	.25	.38	40.5	3.88	8	3.88	31.0	24.5	3.38	4	3.88	15.50	.56	32	48	46	.88	28	1.13	28	8.06	28.81	5
	6	10	1029	99	203	99	787	622	86	102	99	394	14	813	1219	1168	22	711	29	711	205	732	127

Inches in black and mm in blue

PARTS LIST

Catalog No. 1032-	BB	BC	BD	BE	BF	BG	AG	Nom. Cap Rich Fuels MMBtu/hr
020	-	2.5	27.44	8	1 ¼	¾	F.E.T. 240	32
	-	64	697	203	32	19		
025	6.5	2.5	27.44	8	1 ¼	¾	A.E.T./F.E.T. 300	50
	165	64	697	203	32	19		
031	6.5	-	-	8	1 ½	1	A.E.T. 500	75
	165	-	-	203	38	25		

Inches in black and mm in blue

Part No.	Description
1	Body
2	Baffle
3	Gas Nozzle Assembly
4	Gas Tee
5	Gasket
7	Port Block
8	Oil Burner Assembly
15	Adapter Flange
16	Shield Tube
30	Union
43	Bushing
44	Close Nipple
48	Ignition Burner Assembly
53	Gasket

Part number must be preceded by catalog number.

Example:

To order Part 07 – Port Block

Specify –

1032-020 - 07

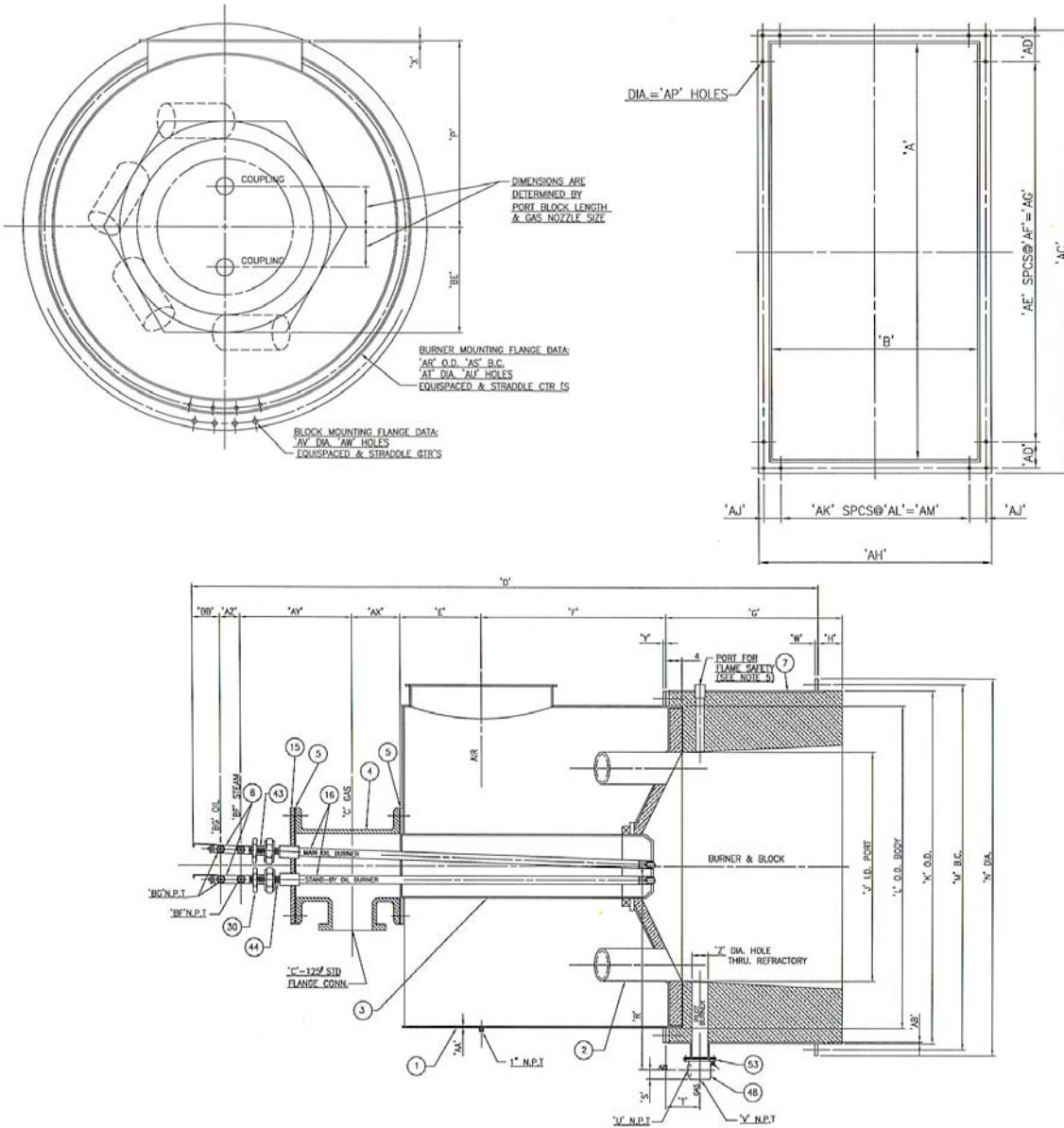
(catalog number) (part number)

NOTE: GENERAL DIMENSION INFORMATION. SEE BLOOM REPRESENTATIVE FOR CERTIFIED DIMENSIONS FOR CONSTRUCTION.

CAUTION: The improper use of combustion equipment can result in a condition hazardous to people and property. Users are urged to comply with National Safety Standards and/or Insurance Underwriters recommendations

1032 SERIES LARGE CAPACITY DUAL FUEL OIL/GAS, AMBIENT OR PREHEATED AIR BURNER

GENERAL DIMENSIONS – 037-057



Burner shown above has dual atomizers. Single atomizer burner available.

NOTE: GENERAL DIMENSION INFORMATION. SEE BLOOM REPRESENTATIVE FOR CERTIFIED DIMENSIONS FOR CONSTRUCTION.

CAUTION: The improper use of combustion equipment can result in a condition hazardous to people and property. Users are urged to comply with National Safety Standards and/or Insurance Underwriters recommendations

1032 SERIES LARGE CAPACITY DUAL FUEL OIL/GAS, AMBIENT OR PREHEATED AIR BURNER

GENERAL DIMENSIONS – 037-057

Catalog No. 1032-	A	B	C	D	E	F	G	H	J	K	L	M	N	P	R	S	T	U	V	W	X	Y	Z
037	44	24	10	116.69	14.75	33	28.5	6	37.5	59	52	62	65	29	34.63	2.25	6.5	3	1 ¼	.75	.25	.50	4
	1118	610	254	2964	375	838	724	152	953	1499	1321	1575	1651	737	880	57	165	76	32	19	6	13	102
046	54	30	10	132.63	17.75	40	34	6	46	71	64	74	77	35	41.88	2.25	6.5	3	1 ¼	.75	.38	.75	4
	1372	762	254	3369	451	1016	864	152	1168	1803	1626	1880	1956	889	1064	57	165	76	32	19	10	19	102
057	70	35	12	155.94	20.25	48	42	6	57	87.5	80	90.5	93.5	43	50.38	2.25	6.5	3	1 ¼	.75	.38	.75	4
	1778	889	305	3961	514	1219	1067	152	1448	2223	2032	2299	2375	1092	1280	57	165	76	32	19	10	19	102

Inches in black and mm in blue

Catalog No. 1032-	AA	AB	AC	AD	AE	AF	AG	AH	AJ	AK	AL	AM	AN	AP	AR	AS	AT	AU	AV	AW	AX	AY	AZ
037	.25	.38	48.5	4	10	3.88	38.75	28.5	4	5	3.75	18.75	.56	38	58.75	56	.88	32	1.13	36	11.06	23.88	5
	6	10	1232	102	254	99	984	724	102	127	95	476	14	965	1492	1422	22	813	29	914	281	607	127
046	.38	.38	58.5	2.38	13	4	52	34.5	2.38	7	4	28	.56	48	71	68	.88	40	1.13	44	11.06	23.94	5
	10	10	1486	60	330	102	1321	876	60	178	102	711	14	1219	1803	1727	22	1016	29	1118	281	608	127
057	.38	.38	74.5	4.38	16	4	64	39.5	2.88	8	4	32	.56	56	86.75	84	.88	48	1.13	48	12.06	27.75	5
	10	10	1892	111	406	102	1626	1003	73	203	102	813	14	1422	2203	2134	22	1219	29	1219	306	705	127

Inches in black and mm in blue

PARTS LIST

Catalog No. 1032-	BB	BE	BF	BG	Oil Burner	Nom. Cap Rich Fuels MMBtu/hr
037	6.5	11	2 ½	1 ¼	A.E.T. 800	110
	165	279	64	32		
046	6.88	11	2 ½	1 ½	A.E.T. 1200	165
	175	279	64	38		
057	6.88	12	2 ¼	1 ½	A.E.T. 1800	250
	175	305	64	38		

Inches in black and mm in blue

Part No.	Description
1	Body
2	Baffle
3	Gas Nozzle Assembly
4	Gas Tee
5	Gasket
7	Port Block
8	Oil Burner Assembly
15	Adapter Flange
16	Shield Tube
30	Union
43	Bushing
44	Close Nipple
48	Ignition Burner Assembly
53	Gasket

Part number must be preceded by catalog number.
Example:
 To order Part 07 – Port Block
 Specify –
 1032-037 - 07
 (catalog number) (part number)

NOTE: GENERAL DIMENSION INFORMATION. SEE BLOOM REPRESENTATIVE FOR CERTIFIED DIMENSIONS FOR CONSTRUCTION.

CAUTION: The improper use of combustion equipment can result in a condition hazardous to people and property. Users are urged to comply with National Safety Standards and/or Insurance Underwriters recommendations