

## **Dual fuel light oil/gas burners**

Progressive two-stage or modulating operation



CODE	MODEL
C9352400	RLS 68/E
C9352410	RLS 68/E
C9352401	RLS 68/E
C9353400	RLS 120/E
C9353410	RLS 120/E
C9353401	RLS 120/E



<b>1</b>	<b>Information and general instructions</b>	<b>3</b>
1.1	Information about the instruction manual	3
1.1.1	Introduction	3
1.1.2	General dangers	3
1.1.3	Safety precautions	3
1.1.4	Danger: live components	3
1.2	Guarantee and responsibility	4
1.2.1	Owner's responsibility	4
<b>2</b>	<b>Safety and prevention</b>	<b>5</b>
2.1	Introduction	5
2.2	Personnel training	5
<b>3</b>	<b>Technical description of the burner</b>	<b>6</b>
3.1	Technical data	6
3.2	Burner models designation	6
3.3	Electrical data	7
3.3.1	Three phase burner	7
3.3.2	Three phase burner	8
3.4	Burner description	9
3.5	Packaging - weight - Approximate measurements	10
3.6	Burner dimensions	10
3.7	Standard equipment	10
3.8	Firing rate	11
3.8.1	Procedure to refer burner operating condition in high altitude plants	11
3.9	Minimum furnace dimensions	13
3.10	Control box for the air/fuel ratio (LMV36...)	14
3.11	Actuators (SQM33.5...)	17
<b>4</b>	<b>Installation</b>	<b>18</b>
4.1	Notes on safety for the installation	18
4.2	Handling	18
4.3	Preliminary checks	18
4.4	Boiler plate	18
4.5	Burner raising	19
4.6	Blast tube length	19
4.7	Securing the burner to the boiler	19
4.8	Nozzle	20
4.8.1	Recommended nozzles	20
4.8.2	Nozzle assembly	20
4.8.3	Adjusting the nozzle flow rate	21
4.9	Electrode position	22
4.10	Burner refitting	22
4.11	Hydraulic system	23
4.11.1	Fuel supply	23
4.11.2	Hydraulic connections	24
4.11.3	Pump	24
4.11.4	Pump priming	24
4.12	Gas line	25
4.13	Gas train	25
4.13.1	Gas pressure	26
4.14	Electrical wiring	27
4.15	Thermal relay calibration	28
4.15.1	Electro-mechanical thermal relay	28

4.15.2	Electronic thermal relay . . . . .	28
4.16	Motor connection at 208-230 or 460V . . . . .	29
4.17	Motor connection at 575V . . . . .	29
4.18	Reversible direction . . . . .	29
<b>5</b>	<b>Start-up, calibration and operation of the burner . . . . .</b>	<b>30</b>
5.1	Notes on safety for the first start-up . . . . .	30
5.2	Adjustments before first firing (light oil operation) . . . . .	30
5.2.1	Combustion head setting . . . . .	30
5.2.2	Pump adjustment . . . . .	30
5.2.3	Air damper adjustment . . . . .	30
5.2.4	Ignition pilot adjustment . . . . .	30
5.3	Adjustments before first firing (gas operation) . . . . .	31
5.4	Burner start-up . . . . .	32
5.4.1	Adjusting gas/air delivery . . . . .	32
5.4.2	Adjusting oil/air delivery . . . . .	32
5.5	Final calibration of the pressure switches . . . . .	33
5.5.1	Air pressure switch . . . . .	33
5.5.2	Maximum gas pressure switch . . . . .	33
5.5.3	Minimum gas pressure switch . . . . .	34
5.5.4	Low oil pressure switch . . . . .	34
5.5.5	High oil pressure switch . . . . .	34
5.6	Burner starting (fuel oil adjustment) . . . . .	35
5.6.1	Steady state operation . . . . .	35
5.6.2	Firing failure . . . . .	35
5.7	Flame signal measurement . . . . .	36
5.8	Final checks (with the burner working) . . . . .	36
<b>6</b>	<b>Maintenance . . . . .</b>	<b>37</b>
6.1	Notes on safety for the maintenance . . . . .	37
6.2	Opening the burner . . . . .	38
6.2.1	To open the burner . . . . .	38
6.2.2	To close the burner . . . . .	38
<b>A</b>	<b>Appendix - Spare parts . . . . .</b>	<b>39</b>
<b>B</b>	<b>Appendix - Accessories . . . . .</b>	<b>43</b>
<b>C</b>	<b>Appendix - Burner start up report . . . . .</b>	<b>44</b>

**1**

**Information and general instructions**

**1.1 Information about the instruction manual**

**1.1.1 Introduction**

The instruction manual supplied with the burner:

- is an integral and essential part of the product and must not be separated from it; it must therefore be kept carefully for any necessary consultation and must accompany the burner even if it is transferred to another owner or user, or to another system. If the manual is lost or damaged, another copy must be requested from the Technical Assistance Service of the area;
- is designed for use by qualified personnel;
- offers important indications and instructions relating to the installation safety, start-up, use and maintenance of the burner.

**Symbols used in the manual**

In some parts of the manual you will see triangular DANGER signs. Pay great attention to these, as they indicate a situation of potential danger.

**1.1.2 General dangers**

The **dangers** can be of **3 levels**, as indicated below.



Maximum danger level!  
This symbol indicates operations which, if not carried out correctly, **cause** serious injury, death or long-term health risks.



This symbol indicates operations which, if not carried out correctly, **may cause** serious injury, death or long-term health risks.



This symbol indicates operations which, if not carried out correctly, **may cause** damage to the machine and/or injury to people.

**1.1.3 Safety precautions**

Good safety practices must be used when working on burner equipment. The potential energy in the electrical supply, fuel and related equipment must be handled with extreme care to prevent equipment failures, injuries and potential death.



If you smell gas, open window, extinguish any open flames, stay away from electrical switches, evacuate the building and immediately call the gas company.

If this equipment is not installed, operated, operated and maintained in accordance with the manufacturers instructions, this product could expose you to substances in fuel or from fuel combustion which can cause death or serious illness.

Improper servicing of this equipment may create a potential hazard to equipment and operators.

**Servicing must be done by a fully trained and qualified personnel.**

**1.1.4 Danger: live components**



This symbol indicates operations which, if not carried out correctly, lead to electric shocks with lethal consequences.

Other symbols



**ENVIRONMENTAL PROTECTION**

This symbol gives indications for the use of the machine with respect for the environment.

- This symbol indicates a list.

**Abbreviations used**

Ch.	Chapter
Fig.	Figure
Pag.	Page
Sec.	Section
Tab.	Table

**Delivery of the system and the instruction manual**

When the system is delivered, it is important that:

- The instruction manual is supplied to the user by the system manufacturer, with the recommendation to keep it in the room where the heat generator is to be installed.
- The instruction manual shows:
  - the serial number of the burner;

.....

- the address and telephone number of the nearest Assistance Centre;

.....  
 .....  
 .....

- The system supplier carefully informs the user about:
  - the use of the system,
  - any further tests that may be necessary before the system is started up,
  - maintenance and the need to have the system checked at least once a year by the manufacturer or another specialised technician.

To ensure a periodic check, the manufacturer recommends the drawing up of a Maintenance Contract.

## 1.2 Guarantee and responsibility

The manufacturer guarantees its new products from the installation date, in accordance with the regulations in force and/or the sales contract. At the moment of the first start-up, check that the burner is integral and complete.



**WARNING**

Failure to observe the information given in this manual, operating negligence, incorrect installation and the carrying out of non authorised modifications will result in the annulment by the manufacturer of the guarantee that it supplies with the burner.

In particular, the rights to the guarantee and the responsibility will no longer be valid, in the event of damage to things or injury to people, if such damage/injury was due to any of the following causes:

- incorrect installation, start-up, use and maintenance of the burner;
- improper, incorrect or unreasonable use of the burner;
- intervention of unqualified personnel;
- carrying out of non authorised modifications on the equipment;
- use of the burner with safety devices that are faulty, incorrectly applied and/or not working;
- installation of untested supplementary components on the burner;
- powering of the burner with unsuitable fuels;
- faults in the fuel power supply system;
- use of the burner even following an error and/or an irregularity;
- repairs and/or overhauls incorrectly carried out;
- modification of the combustion chamber with inserts that prevent the regular development of the flame, as structurally established;
- insufficient and inappropriate surveillance and care of those burner components most subject to wear and tear;
- use of non-original components, including spare parts, kits, accessories and optionals;
- force majeure.

**the manufacturer furthermore declines any and every responsibility for the failure to observe the contents of this manual.**

### 1.2.1 Owner's responsibility

Please pay attention to the Safety Warnings contained within this instruction manual. Keep this manual for your records and provide it to your qualified service agency for use in professionally setting up and maintaining your burner.

Your burner will provide years of efficient operation if it is professionally installed and maintained by a qualified service technician. If at any time the burner does not appear to be operating properly, immediately contact your qualified service agency for consultation.

We recommend annual inspection/service of your gas heating system by a qualified service agency.

Failure to follow these instructions, misuse, or incorrect adjustment of the burner could lead to equipment malfunction and result in asphyxiation, explosion or fire.



**WARNING**

If you smell gas:

- Do not touch any electrical items.
- Open all windows.
- Close all gas supply valves.
- Contact your local gas authority immediately.
- Do not store flammable or hazardous materials in the vicinity of fuel burning appliances.
- Improper installation, adjustment, alteration, service or maintenance can cause property damage, personal injury or death.
- Refer to this manual for instructional or additional information.
- Consult a certified installer, service representative or the gas supplier for further assistance.
- Burner shall be installed in accordance with manufacturers requirements as outlined in this manual, local codes and authorities having jurisdiction.

## 2

## Safety and prevention

**2.1 Introduction**

The burners have been designed and built in compliance with current regulations and directives, applying the known technical rules of safety and envisaging all the potential danger situations.

It is necessary, however, to bear in mind that the imprudent and clumsy use of the equipment may lead to situations of death risk for the user or third parties, as well as the damaging of the burner or other items. Inattention, thoughtlessness and excessive confidence often cause accidents; the same applies to tiredness and sleepiness.

It is a good idea to remember the following:

- The burner must only be used as expressly described. Any other use should be considered improper and therefore dangerous.  
In particular:  
it can be applied to boilers operating with water, steam, diathermic oil, and to other users expressly named by the manufacturer;

the type and pressure of the fuel, the voltage and frequency of the electrical power supply, the minimum and maximum deliveries for which the burner has been regulated, the pressurisation of the combustion chamber, the dimensions of the combustion chamber and the room temperature must all be within the values indicated in the instruction manual.

- Modification of the burner to alter its performance and destinations is not allowed.
- The burner must be used in exemplary technical safety conditions. Any disturbances that could compromise safety must be quickly eliminated.
- Opening or tampering with the burner components is not allowed, apart from the parts requiring maintenance.
- Only those parts envisaged by the manufacturer can be replaced.

**2.2 Personnel training**

The user is the person, body or company that has acquired the machine and intends to use it for the specific purpose. He is responsible for the machine and for the training of the people working around it.

The user:

- Undertakes to entrust the machine exclusively to suitably trained and qualified personnel.
- Must take all the measures necessary to prevent unauthorised people gaining access to the machine.
- Undertakes to inform his personnel in a suitable way about the application and observance of the safety instructions. With that aim, he undertakes to ensure that everyone knows the use and safety instructions for his own duties.
- Must inform the manufacturer if faults or malfunctioning of the accident prevention systems are noticed, along with any presumed danger situation.

- Personnel must always use the personal protective equipment envisaged by legislation and follow the indications given in this manual.
- Personnel must follow all the danger and caution indications shown on the machine.
- Personnel must not carry out, on their own initiative, operations or interventions that are not within their province.
- Personnel are obliged to inform their superiors of every problem or dangerous situation that may arise.
- The assembly of parts of other makes, or any modifications, can alter the characteristics of the machine and hence compromise operating safety. The manufacturer therefore declines any and all responsibility for any damage that may be caused by the use of non-original parts.

**3 Technical description of the burner**

**3.1 Technical data**

Model			RLS 68/E	RLS 120/E
Output <sup>(1)</sup> Delivery <sup>(1)</sup>	High	MBtu/hr <sup>(4)</sup> kW GPH	1194 - 2934 350 - 860 8.5 - 21	2047 - 4094 600 - 1200 14.5 - 29
	Low	MBtu/hr <sup>(4)</sup> kW GPH	682 200 5	1023 300 7.3
Fuel			#2 Fuel oil Natural gas	
Gas pressure at maximum delivery <sup>(2)</sup> Gas: Natural gas		" WC	5	7.7
Operation			Modulating oil/gas	
Nozzle		number	1	
Standard applications			Boilers: water, steam, thermal oil	
Ambient temperature		°F	32 - 104 (0 - 40 °C)	
Combustion air temperature		°F max	140 (60 °C)	
Pump	delivery (at 290 PSI)	GPH	85	
	pressure range	PSI	145 - 304.5	
	fuel temperature	° F max	194 (90 °C)	
Noise levels <sup>(3)</sup>		dB(A)	80	

**Tab. A**

- (1) Reference conditions: Ambient temperature 68 °F (20°C) - Barometric pressure 394" WC - Altitude 329 ft.
- (2) Pressure at test point 18)(Fig. 1) with zero pressure in the combustion chamber and maximum burner output.
- (3) Sound pressure measured in manufacturer's combustion laboratory, with burner operating on test boiler and at maximum rated output.
- (4) Equivalent Btu values based on 1 USGPH = 140,000 Btu/hr.

**3.2 Burner models designation**

Model	Code	Code RBNA	Voltage	Flame safeguard
RLS 68/E	20036711	C9352400	208-220/3/60	Burner mounted
		C9352410	460/3/60	
		C9352401	575/3/60	
RLS 120/E	20036193	C9353400	208-220/3/60	Burner mounted
		C9353410	460/3/60	
		C9353401	575/3/60	

**Tab. B**



**3.3 Electrical data**

**3.3.1 Three phase burner**

**Fan motor and pump motor IE1**

Model			RLS 68/E		
RBNA Code			C9352400	C9352410	C9352401
Control circuit power supply	V/Ph/Hz		120/1/60		
Main electrical supply (+/- 10%)	V/Ph/Hz		208-220/3/60	460/3/60	575/3/60
Fan motor	rpm		3360	3360	3360
	HP		2.4	2.4	2.4
	V		208 - 230	460	575
	A		7.4	4.3	2.8
Pump motor	rpm		3440	3440	3440
	HP		1	1	1
	V		208 - 230	460	575
	A		3.2	1.7	1.4
Ignition transformer	Oil	V1 - V2 I1 - I2	120 V - 2 x 5 kV 2.7 A - 30 mA		
	Gas	V1 - V2 I1 - I2	120 V - 1 x 8 kV 1.6 A - 20 mA		
Electrical power consumption	W max		3400	3800	3350
Electrical control circuit consumption	W		750		
Total electrical consumption	W		4150	4550	4100
Electrical protection			NEMA 1		

Tab. C

**Fan motor and pump motor IE1**

Model			RLS 120/E		
RBNA Code			C9353400	C9353410	C9353401
Control circuit power supply	V/Ph/Hz		120/1/60		
Main electrical supply (+/- 10%)	V/Ph/Hz		208-220/3/60	460/3/60	575/3/60
Fan motor	rpm		3400	3400	3400
	HP		3	3	3
	V		208 - 230	460	575
	A		8.5	4.9	3.7
Pump motor	rpm		3440	3440	3440
	HP		1	1	1
	V		208 - 230	460	575
	A		3.2	1.7	1.4
Ignition transformer	Oil	V1 - V2 I1 - I2	120 V - 2 x 5 kV 2.7 A - 30 mA		
	Gas	V1 - V2 I1 - I2	120 V - 1 x 8 kV 1.6 A - 20 mA		
Electrical power consumption	W max		3750	4250	4100
Electrical control circuit consumption	W		750		
Total electrical consumption	W		4500	5000	4850
Electrical protection			NEMA 1		

Tab. D

**3.3.2 Three phase burner**
**Fan motor and pump motor IE2/EPACT**

Model			RLS 68/E		
RBNA Code			C9352400	C9352410	C9352401
Control circuit power supply	V/Ph/Hz		120/1/60		
Main electrical supply (+/- 10%)	V/Ph/Hz		208-220/3/60	460/3/60	575/3/60
Fan motor	rpm		3500	3500	3500
	HP		3	3	3
	V		208 - 230	460	575
	A		7.8	3.9	3.1
Pump motor	rpm		3520	3520	3520
	HP		1	1	1
	V		208 - 230	460	575
	A		3.2	1.6	1.3
Ignition transformer	Oil	V1 - V2	120 V - 2 x 5 kV		
		I1 - I2	2.7 A - 30 mA		
	Gas	V1 - V2	120 V - 1 x 8 kV		
		I1 - I2	1.6 A - 20 mA		
Electrical power consumption	W max	3550			
Electrical control circuit consumption	W	750			
Total electrical consumption	W	4300			
Electrical protection		NEMA 1			

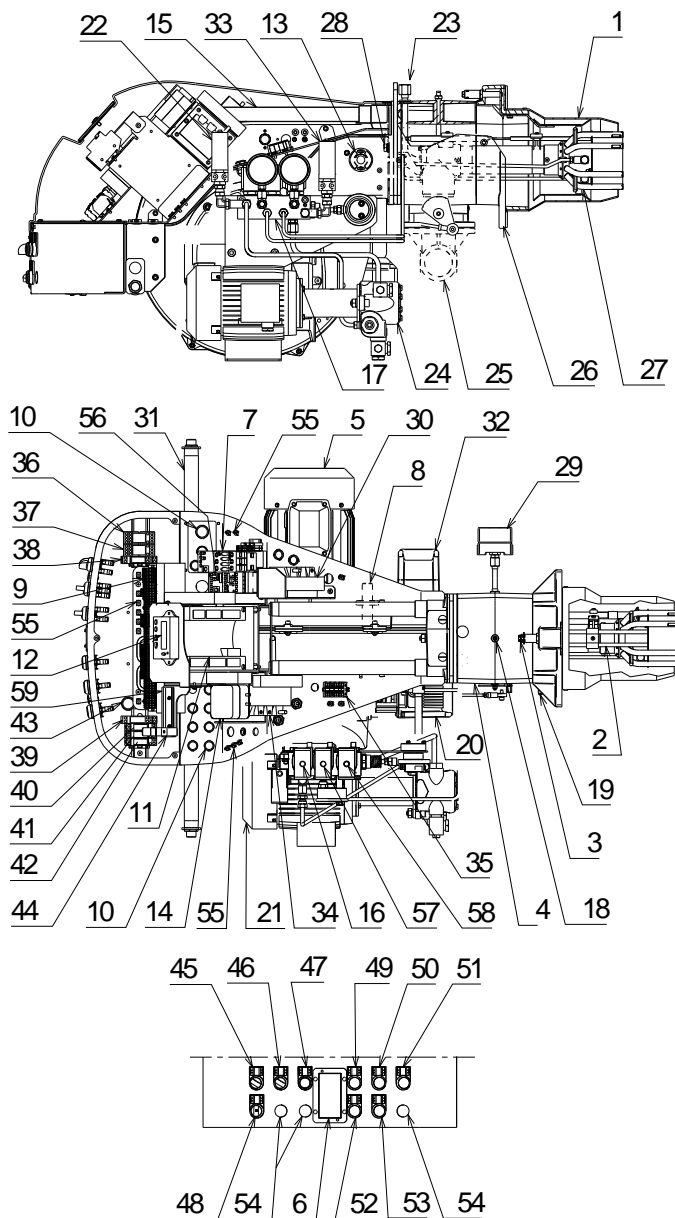
**Tab. E**
**Fan motor and pump motor IE2/EPACT**

Model			RLS 120/E		
RBNA Code			C9353400	C9353410	C9353401
Control circuit power supply	V/Ph/Hz		120/1/60		
Main electrical supply (+/- 10%)	V/Ph/Hz		208-220/3/60	460/3/60	575/3/60
Fan motor	rpm		3500	3500	3500
	HP		3	3	3
	V		208 - 230	460	575
	A		7.8	3.9	3.1
Pump motor	rpm		3520	3520	3520
	HP		1	1	1
	V		208 - 230	460	575
	A		3.2	1.6	1.3
Ignition transformer	Oil	V1 - V2	120 V - 2 x 5 kV		
		I1 - I2	2.7 A - 30 mA		
	Gas	V1 - V2	120 V - 1 x 8 kV		
		I1 - I2	1.6 A - 20 mA		
Electrical power consumption	W max	3550			
Electrical control circuit consumption	W	750			
Total electrical consumption	W	4300			
Electrical protection		NEMA 1			

**Tab. F**

3.4 Burner description

- 1 Combustion head
- 2 Ignition electrodes
- 3 Screw for combustion head adjustment
- 4 Sleeve
- 5 Fan motor
- 6 RWF 40 modulator (with analog output 4-20 mA)
- 7 Fan motor contactor with auxiliary contact and thermal relay with reset button
- 8 UV scanner
- 9 Burner terminal board for electrical wiring "X1"
- 10 Holes for cables grommets for electrical wirings, accessories and power supply (to be carried out by the installer)
- 11 Control box for checking flame and air/fuel ratio
- 12 Operator panel with LCD display
- 13 Flame inspection window
- 14 Low air pressure switch
- 15 Slide bars for opening the burner and inspecting the combustion head
- 16 Safety oil solenoid valve
- 17 Valve assembly with pressure regulator on nozzle return
- 18 Gas pressure test point and head fixing screw
- 19 Air pressure test point
- 20 Air servomotor
- 21 Pump motor
- 22 Low oil pressure switch
- 23 Pilot attachment
- 24 Pump
- 25 Gas train flange
- 26 Boiler mounting flange
- 27 Flame stability disk
- 28 Screw securing fan to sleeve
- 29 Max. gas pressure switch
- 30 Ignition transformers "T2" (for gas operation)
- 31 Lifting rings and extension bars
- 32 Oil/gas actuator
- 33 High oil pressure switch
- 34 Ignition transformer "T1" (for oil operation)
- 35 Terminal strip for oil valve "X2"
- 36 Timer module and relay "KO1"
- 37 Timer module and relay "KG1"
- 38 "K3" relay
- 39 "K1" relay
- 40 "KG2" relay
- 41 "K5" relay
- 42 "K2" relay
- 43 Horn
- 44 Auxiliary fuse
- 45 "OFF - ON" switch
- 46 "LOCAL-REMOTE" switch
- 47 "ALARM SILENCE" button
- 48 "OIL - OFF - GAS" switch
- 49 "POWER ON" signal
- 50 "CALL FOR HEAT" signal
- 51 "ALARM ON" signal
- 52 "IGNITION ON" signal
- 53 "FUEL ON" signal
- 54 Optional holes
- 55 Ground terminals
- 56 Pump motor contactor and thermal relay with reset button
- 57 Delivery oil solenoid valve
- 58 Return oil solenoid valve
- 59 DIN bar for fuse holder, step-down transformer and OCI 412.10 (Available)



D11359

Fig. 1

Three types of burner failure may occur:

- **Flame safeguard lock-out**  
If the flame safeguard alarm 51)(Fig. 1) lights up, it indicates that the burner is in lock-out. To reset, press the reset push-button.
- **Fan motor trip**  
release by pressing the pushbutton on thermal overload 7)(Fig. 1). See "Thermal relay calibration" on page 28.
- **Pump motor trip**  
release by pressing the pushbutton on thermal overload 56)(Fig. 1). See "Thermal relay calibration" on page 28.

### 3.5 Packaging - weight - Approximate measurements

The burners are skid mounted. Outer dimensions of packaging are indicated in (Tab. G).

The weight of the burner complete with packaging is indicated in (Tab. G).

inch	A	B	C	lbs
RLS 68/E	55 <sup>33</sup> / <sub>64</sub> "	30 <sup>29</sup> / <sub>32</sub> "	39 <sup>3</sup> / <sub>8</sub> "	220
RLS 120/E	55 <sup>33</sup> / <sub>64</sub> "	30 <sup>29</sup> / <sub>32</sub> "	39 <sup>3</sup> / <sub>8</sub> "	233

Tab. G

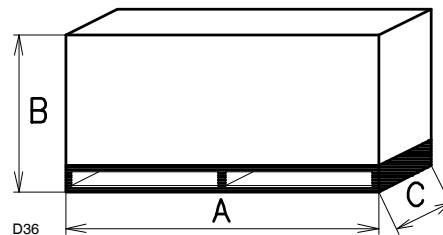


Fig. 2

### 3.6 Burner dimensions

The maximum dimensions of the burners are given in (Fig. 3). Inspection of the combustion head requires the burner to be opened and the rear part withdrawn on the slide bars.

The maximum dimension of the burner when open, without casing, is give in measurement I.

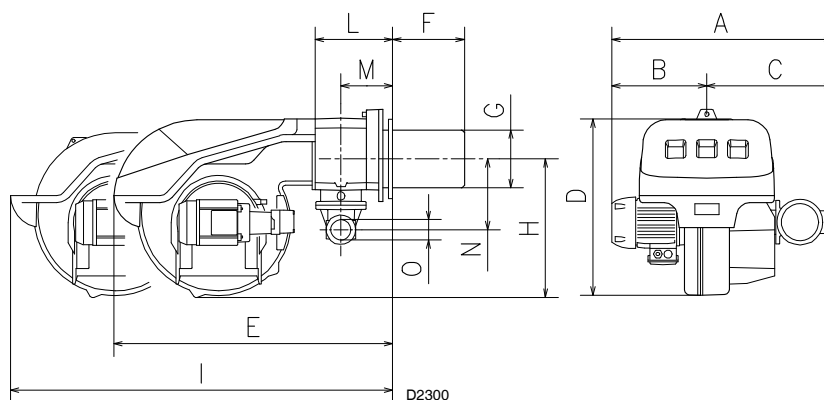


Fig. 3

Model	A	B	C	D	E	F	G	H	I	L	M	N	O
RLS 68/E	30 <sup>5</sup> / <sub>32</sub> "	12 <sup>25</sup> / <sub>32</sub> "	17 <sup>13</sup> / <sub>32</sub> "	23 <sup>15</sup> / <sub>64</sub> "	40 <sup>61</sup> / <sub>64</sub> "	9 <sup>59</sup> / <sub>64</sub> "	8 <sup>19</sup> / <sub>32</sub> "	16 <sup>15</sup> / <sub>16</sub> "	63 <sup>1</sup> / <sub>2</sub> "	8 <sup>25</sup> / <sub>32</sub> "	5 <sup>5</sup> / <sub>8</sub> "	8 <sup>3</sup> / <sub>4</sub> "	2"
RLS 120/E	30 <sup>5</sup> / <sub>32</sub> "	12 <sup>25</sup> / <sub>32</sub> "	17 <sup>13</sup> / <sub>32</sub> "	23 <sup>15</sup> / <sub>64</sub> "	40 <sup>61</sup> / <sub>64</sub> "	9 <sup>59</sup> / <sub>64</sub> "	8 <sup>19</sup> / <sub>32</sub> "	16 <sup>15</sup> / <sub>16</sub> "	63 <sup>1</sup> / <sub>2</sub> "	8 <sup>25</sup> / <sub>32</sub> "	5 <sup>5</sup> / <sub>8</sub> "	8 <sup>3</sup> / <sub>4</sub> "	2"

Tab. H

### 3.7 Standard equipment

- Gas train flange . . . . . No. 1
- Flange gasket. . . . . No. 1
- Flange fixing screws. . . . . No. 4
- Adaptor G 1/8" / 1/8" NPT . . . . . No. 1
- Connector for pilot line . . . . . No. 1
- Seal for adaptor . . . . . No. 1
- Instruction booklet . . . . . No. 1

**3.8 Firing rate**

**MAXIMUM OUTPUT** must be selected in area A (Fig. 4).

**MINIMUM OUTPUT** must not be lower than the minimum limit shown in the diagram:

Model	MBtu/hr	GPH
RLS 68/E	682	5
RLS 120/E	1023	7.3

**NOTE:**

The firing rate area given in Fig. 4 have been reduced by 10% with respect to the maximum range that can be reached.



**WARNING**

The firing rate area values have been obtained considering an ambient temperature of 68 °F, and an atmospheric pressure of 394" WC and with the combustion head adjusted.

**3.8.1 Procedure to refer burner operating condition in high altitude plants**

Find the **CORRECTED BURNER CAPACITY** for the plant's altitude in chart 1 and the **CORRECTED PRESSURE** in chart 2.

Check in the firing rate graph of the burner (Fig. 4), if the working point defined by the values above is within the range limits.

If not, higher burner size is needed.

**Note**

- Charts are based only on altitude variation (reference temperature = 68°F, 20°C)
- To get the combined correction in case of different air temperature, a compensation of 1000 ft each 20°F (305 m each 11°C) is applicable (100 ft = 2°F).

**Example**

Rated capacity = 3000 MBtu/hr - Rated air pressure = 1 "WC

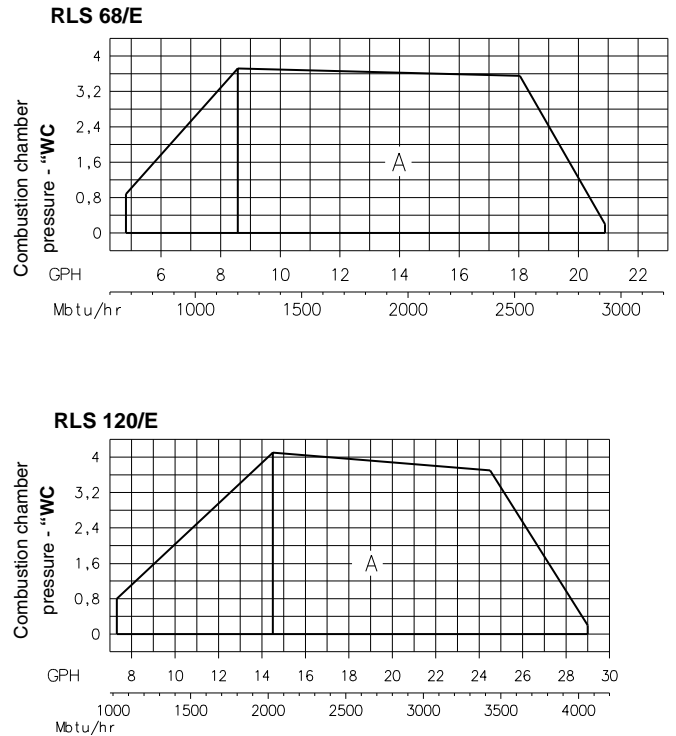
Real altitude = 3000 ft - Real temperature = 88 °F

Δ = 88 °F - 68°F (reference temp.) = 20°F (equivalent 1000 ft variation)

Proceeding as described above and considering a "virtual altitude" of (3000 + 1000) ft:

- the corrected capacity is 3425 MBtu/hr
- the corrected burner air pressure is 1.14

D11360



**Fig. 4**

**1 CORRECTED BURNER CAPACITY ACCORDING TO ALTITUDE**

Rated Capacity	Altitude										
	m a.s.l.	0	100	305	610	915	1220	1525	1830	2135	2440
	ft a.s.l	0	328	1000	2000	3000	4000	5000	6000	7000	8000
500		494	500	512	530	551	571	593	616	641	669
1000		987	1000	1023	1061	1101	1142	1186	1232	1282	1337
1500		1481	1500	1535	1591	1652	1713	1778	1848	1924	2006
2000		1974	2000	2046	2121	2202	2284	2371	2464	2565	2675
2500		2468	2500	2558	2652	2753	2855	2964	3079	3206	3343
3000		2962	3000	3069	3182	3303	3425	3557	3695	3847	4012
3500		3455	3500	3581	3712	3854	3996	4149	4311	4488	4680
4000		3949	4000	4092	4243	4404	4567	4742	4927	5130	5349
4500		4442	4500	4604	4773	4955	5138	5335	5543	5771	6018
5000		4936	5000	5116	5303	5505	5709	5928	6159	6412	6686
5500		5429	5500	5627	5834	6056	6280	6520	6775	7053	7355
6000		5923	6000	6139	6364	6606	6851	7113	7391	7694	8024
6500		6417	6500	6650	6894	7157	7422	7706	8006	8335	8692
7000		6910	7000	7162	7425	7708	7993	8299	8622	8977	9361
7500		7404	7500	7673	7955	8258	8564	8892	9238	9618	10029
8000		7897	8000	8185	8485	8809	9135	9484	9854	10259	10698
8500		8391	8500	8697	9016	9359	9705	10077	10470	10900	11367
9000		8885	9000	9208	9546	9910	10276	10670	11086	11541	12035
9500		9378	9500	9720	10076	10460	10847	11263	11702	12183	12704
10000		9872	10000	10231	10607	11011	11418	11855	12318	12824	13373
Average barometric pressure (20°C)	mbar	1013	1000	977.4	942.8	908.2	875.8	843.5	811.85	779.8	747.8
Average barometric pressure (68°F)	"w.c.	399	394	385	371	358	345	332	320	307	294

**2 CORRECTED BURNER AIR PRESSURE ACCORDING TO ALTITUDE**

Rated Pressure	Altitude										
	m a.s.l.	0	100	305	610	915	1220	1525	1830	2135	2440
	ft a.s.l	0	328	1000	2000	3000	4000	5000	6000	7000	8000
0.50		0.49	0.50	0.51	0.53	0.55	0.57	0.59	0.62	0.64	0.67
1.00		0.99	1.00	1.02	1.06	1.10	1.14	1.19	1.23	1.28	1.34
1.50		1.48	1.50	1.53	1.59	1.65	1.71	1.78	1.85	1.92	2.01
2.00		1.97	2.00	2.05	2.12	2.20	2.28	2.37	2.46	2.56	2.67
2.50		2.47	2.50	2.56	2.65	2.75	2.85	2.96	3.08	3.21	3.34
3.00		2.96	3.00	3.07	3.18	3.30	3.43	3.56	3.70	3.85	4.01
3.50		3.46	3.50	3.58	3.71	3.85	4.00	4.15	4.31	4.49	4.68
4.00		3.95	4.00	4.09	4.24	4.40	4.57	4.74	4.93	5.13	5.35
4.50		4.44	4.50	4.60	4.77	4.95	5.14	5.33	5.54	5.77	6.02
5.00		4.94	5.00	5.12	5.30	5.51	5.71	5.93	6.16	6.41	6.69
5.50		5.43	5.50	5.63	5.83	6.06	6.28	6.52	6.77	7.05	7.35
6.00		5.92	6.00	6.14	6.36	6.61	6.85	7.11	7.39	7.69	8.02
6.50		6.42	6.50	6.65	6.89	7.16	7.42	7.71	8.01	8.34	8.69
7.00		6.91	7.00	7.16	7.42	7.71	7.99	8.30	8.62	8.98	9.36
7.50		7.40	7.50	7.67	7.96	8.26	8.56	8.89	9.24	9.62	10.03
8.00		7.90	8.00	8.18	8.49	8.81	9.13	9.48	9.85	10.26	10.70
8.50		8.39	8.50	8.70	9.02	9.36	9.71	10.08	10.47	10.90	11.37
9.00		8.88	9.00	9.21	9.55	9.91	10.28	10.67	11.09	11.54	12.04
9.50		9.38	9.50	9.72	10.08	10.46	10.85	11.26	11.70	12.18	12.70
10.00		9.87	10.00	10.23	10.61	11.01	11.42	11.86	12.32	12.82	13.37
Average barometric pressure (20°C)	mbar	1013	1000	977.4	942.8	908.2	875.8	843.5	811.85	779.8	747.8
Average barometric pressure (68°F)	"w.c.	399	394	385	371	358	345	332	320	307	294

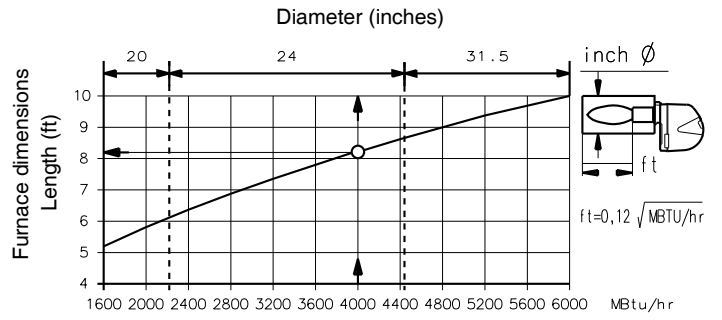
**3.9 Minimum furnace dimensions**

The firing rate was set in relation to certified test boilers.

Fig. 5 indicates the diameter and length of the test combustion chamber.

**Example**

Output 4000 MBtu/hr: diameter 24 inch - length 8.2 ft.



D10921

**Fig. 5**

### 3.10 Control box for the air/fuel ratio (LMV36...)

#### Warning notes



**WARNING**

**To avoid injury to persons, damage to property or the environment, the following warning notes must be observed!**

**The LMV36... is a safety device!**

**Do not open, interfere with or modify the unit.**

**The manufacturer will not assume responsibility for any damage resulting from unauthorized interference!**

- All activities (mounting, installation and service work, etc.) must be performed by qualified staff.
- Before making any wiring changes in the connection area, completely isolate the plant from mains supply (all-polar disconnection). Ensure that the plant cannot be inadvertently switched on again and that it is indeed dead. If not observed, there is a risk of electric shock hazard.
- Ensure protection against electric shock hazard by providing adequate protection for the burner control's connection terminals.
- Each time work has been carried out (mounting, installation, service work, etc.), check to ensure that wiring and parameters is in an orderly state.
- Fall or shock can adversely affect the safety functions. Such units must not be put into operation, even if they do not exhibit any damage.

#### Introduction

The control box for the air/fuel ratio (Fig. 6), (hereafter referred to simply as the control box), that equips the burners, carries out a series of integrated functions in order to optimise burner functioning, both for single operation and together with other units (e.g. double furnace boiler or more than one generator at the same time).

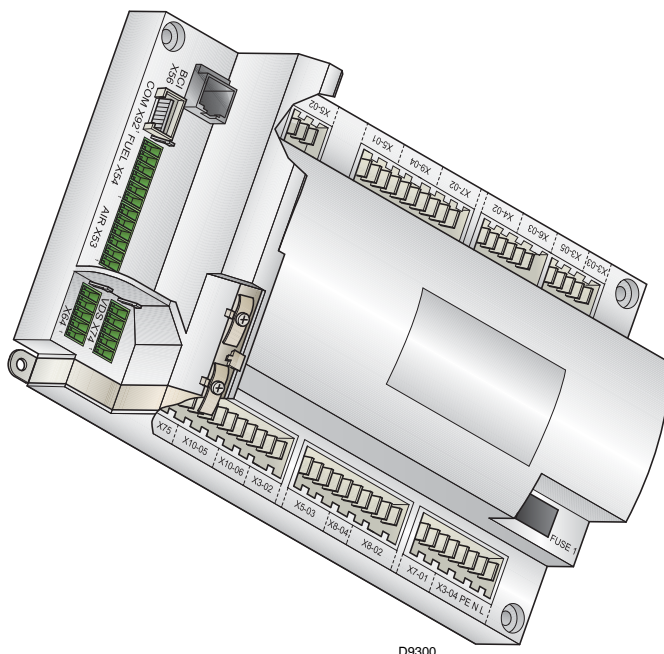
The basic functions carried out by the control box relate to:

- flame control;
- the dosage of air and fuel via the positioning (with direct servo-control) of the relative valves, excluding the possible play in the mechanical cam calibration systems;
- the modulation of burner output, on the basis of the load requested by the system, maintaining the pressure or temperature of the boiler at the working values set;
- the safety diagnostic of the air and fuel circuits, via which it is possible to easily identify any causes of malfunctioning.

#### Mechanical design

The following system components are integrated in the LMV36... basic unit:

- Burner control with gas valve proving system
- Electronic air / fuel ratio control
- Control frequency converter air fan
- Modbus interface



**Fig. 6**

#### Installation notes

- Always run high-voltage ignition cables separately while observing the greatest possible distance to the unit and to other cables.
- Do not mix up live and neutral conductors (fire hazard, dangerous failures, loss of protection against electric shock hazard, etc.).
- Do not lay the connecting cable from the LMV36... to the AZL2... together with other cables.



**WARNING**

**The first start-up, like every further operation for the internal settings of the control box, requires access by means of a password and is only to be carried out by personnel of the Technical Assistance Service who have been specifically trained in the internal programming of the tool.**

#### Electrical connection of the flame detectors

It is important to achieve practically disturbance- and loss-free signal transmission:

- Never run the detector cable together with other cables.
  - Line capacitance reduces the magnitude of the flame signal.
  - Use a separate cable.
- Observe the maximum permissible detector cable lengths.
- The ionization probe is not protected against electric shock hazard. It is mainspowered and must be protected against accidental contact.
- Locate the ignition electrode and the ionization probe such that the ignition spark cannot arc over to the ionization probe (risk of electrical overloads).



## Technical data

LMV36... basic unit	Mains voltage	AC 120 V -15 % / +10 %
	Mains frequency	50 / 60 Hz $\pm$ 6 %
	Power consumption	< 30 W (typically)
	Safety class	I, with parts according to II and III to DIN EN 60730-1
Terminal loading 'Inputs'	Unit fuse F1 (internally)	6.3 AT
	Perm. mains primary fuse (externally)	Max. 16 AT
	Undervoltage	
	<ul style="list-style-type: none"> <li>• Safety shutdown from operating position at mains voltage</li> <li>• Restart on rise in mains voltage</li> </ul>	Approx. AC 93 V Approx. AC 96 V
Terminal loading 'Outputs'	<b>Total contact loading:</b>	
	<ul style="list-style-type: none"> <li>• Nominal voltage</li> <li>• Unit input current (safety loop) from:                             <ul style="list-style-type: none"> <li>- Fan motor contactor</li> <li>- Ignition transformer</li> <li>- Valves</li> <li>- Oil pump / magnetic clutch</li> </ul> </li> </ul>	AC 120 V, 50 / 60 Hz Max. 5 A
	<b>Individual contact loading:</b>	
	Fan motor contactor	
	<ul style="list-style-type: none"> <li>• Nominal voltage</li> <li>• Nominal current</li> <li>• Power factor</li> </ul>	AC 120 V, 50 / 60 Hz 1.6 A pilot duty load declaration to UL372 $\cos\phi > 0.4$
	Alarm output	
	<ul style="list-style-type: none"> <li>• Nominal voltage</li> <li>• Nominal current</li> <li>• Power factor</li> </ul>	AC 120 V, 50 / 60 Hz 1 A $\cos\phi > 0.4$
	Ignition transformer	
	<ul style="list-style-type: none"> <li>• Nominal voltage</li> <li>• Nominal current</li> <li>• Power factor</li> </ul>	AC 120 V, 50 / 60 Hz 1.6 A pilot duty load declaration to UL372 or 250 VA ignition load declaration to UL372 $\cos\phi > 0.2$
	Fuel valves	
	<ul style="list-style-type: none"> <li>• Nominal voltage</li> <li>• Nominal current</li> <li>• Power factor</li> </ul>	AC 120 V, 50 / 60 Hz 1.6 A pilot duty load declaration to UL372 $\cos\phi > 0.4$
	Operation display	
	<ul style="list-style-type: none"> <li>• Nominal voltage</li> <li>• Nominal current</li> <li>• Power factor</li> </ul>	AC 120 V, 50 / 60 Hz 0.5 A $\cos\phi > 0.4$
	Cable lengths	Mains line
Display, BCI		For used outside the burner cover or the control panel: Max. 3 m (100 pF/m)
	External lockout reset button	Max. 20 m (100 pF/m)
Environmental conditions	Operation	DIN EN 60721-3-3
	Climatic conditions	Class 3K3
	Mechanical conditions	Class 3M3
	Temperature range	-20...+60 °C
	Humidity	< 95 % r.h.

### Operation sequence of the burner

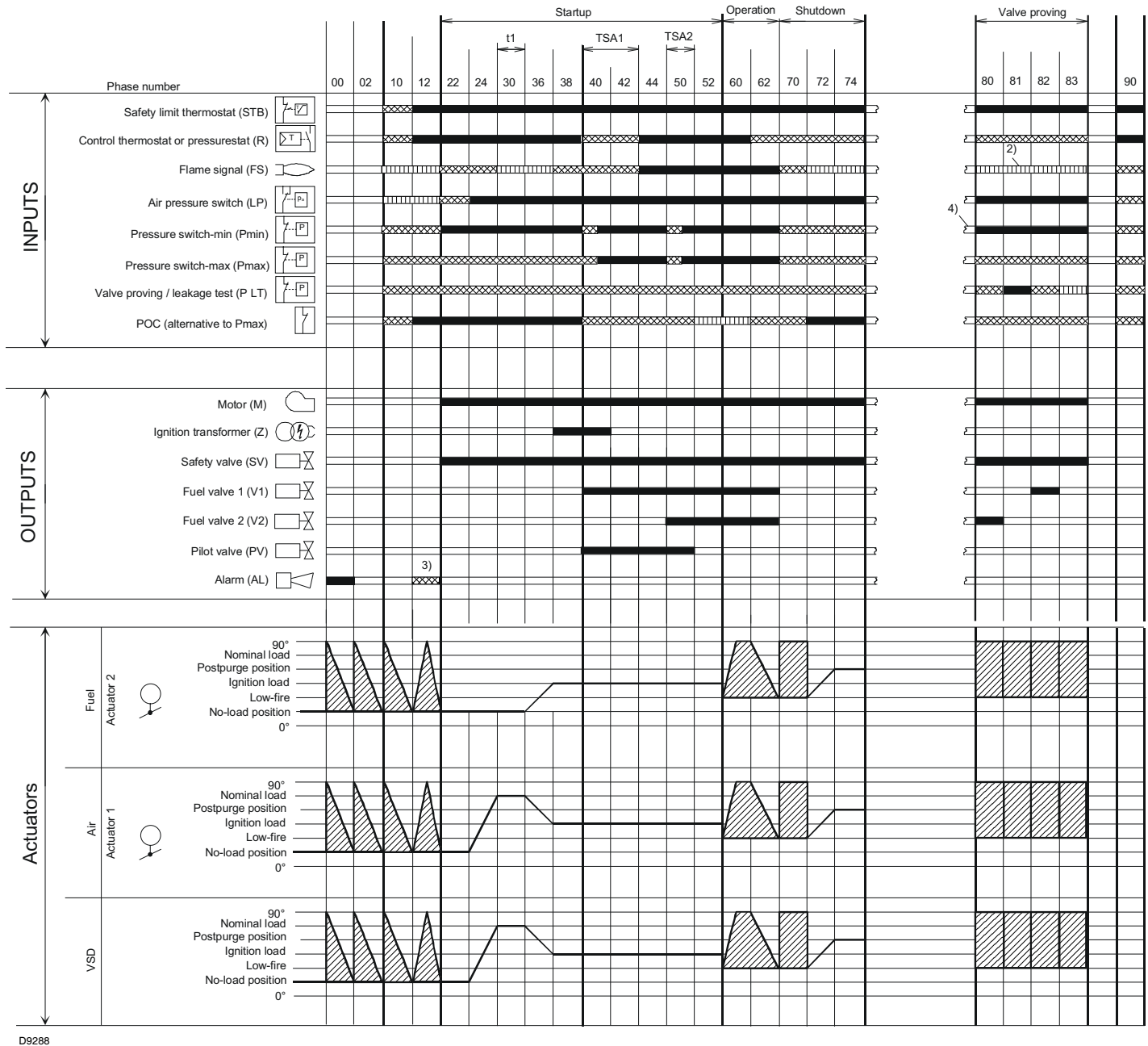


Fig. 7

#### Legend to the sequence diagrams:

Valve proving takes place depending on the parameter:

- 2) Only with valve proving on startup
  - 3) Parameter: with/without alarm in the event of start prevention
  - 4) In the event of an erroneous signal on startup, followed by phase 10, otherwise phase 70
- 0° Position as supplied (0°)  
 90° Actuator fully open (90°)

- Signal ON
- Signal OFF
- Any signal is allowed



In standby: after referencing, the actuator is driven to the no-load position

Assignment of times:

- t1 Prepurgation time
- TSA1 Safety time 1 gas / oil
- TSA2 Safety time 2 gas / oil

3.11 Actuators (SQM33.5...)

Warning notes



WARNING

To avoid injury to persons, damage to property or the environment, the following warning notes should be observed!

**Do not open, interfere with or modify the actuators!**

- All activities (mounting, installation and service work, etc.) must be performed by qualified staff.
- Before making any wiring changes in the connection area of the units, completely isolate the equipment from mains supply (all-polar disconnection). If not observed, there is a risk of electric shock hazard.
- Ensure protection against electric shock hazard by providing adequate protection for the connection terminals and by securing the housing cover.
- After any kind of activity (mounting, installation and service work, etc.), check wiring.  
Also ensure that the parameters are correctly set.
- Fall or shock can adversely affect the safety functions. Such units must not be put into operation, even if they do not exhibit any damage.



WARNING

**The actuator's housing must not be opened. The actuator contains an optical feedback system.**

Use

The actuators (Fig. 8) are used to drive and position the air damper and the gas butterfly valve, without mechanical leverages but via the interposition of an elastic coupling.

They are commanded by the control box, which constantly checks their position by means of a return signal from the optic sensor inside the actuator.

The position (in degrees) of the actuators can be seen on the display of the Operator Panel.

Index "0" for fuel actuator, index "1" for air actuator.

Installation notes

- Always run the high-voltage ignition cables separate from the unit and other cables while observing the greatest possible distance.
- The holding torque is reduced when the actuator is disconnected from power.



WARNING

**When servicing or replacing the actuators, take care not to invert the connectors.**



Fig. 8

Technical data

Operating voltage	AC / DC 24 V ±20 % (load on interface)
Safety class	2 to EN 60 730 part 1 and parts 2...14
Power consumption	max. 10 W
Degree of protection	IP54 to EN 60 529-1
Opening time 0 - 90°	min: 5s, max.: 120s (depending on the type of control box)
Firing rate	0 - 90°
Cable connection	RAST2,5 connectors
Direction of rotation	Clockwise/anticlockwise (can be selected from the control box)
Nominal output torque	3 Nm
Holding torque (when live)	3 Nm
Holding torque (when dead)	2.6 Nm
Weight	approx. 1 kg
Environmental conditions:	
Operation	DIN EN 60 721-3-3
Climatic conditions	class 3K5
Mechanical conditions	class 3M4
Temperature range	-20...+ 60 °C
Humidity	< 95 % r.h.

### 4

### Installation

#### 4.1 Notes on safety for the installation

After carefully cleaning all around the area where the burner will be installed, and arranging the correct lighting of the environment, proceed with the installation operations.



All the installation, maintenance and disassembly operations must be carried out with the electricity supply disconnected.



The installation of the burner must be carried out by qualified personnel, as indicated in this manual and in compliance with the standards and regulations of the laws in force.

#### 4.2 Handling

The packaging of the burner includes a wooden platform, so it is possible to move the burner (still packaged) with a transpallet truck or fork lift truck.

With regard to the transport in the obligatory passages, refer to the overall dimensions shown in Fig. 3.



The handling operations for the burner can be highly dangerous if not carried out with the greatest attention: keep any unauthorised people at a distance; check the integrity and suitability of the available means of handling.

Check also that the area in which you are working is empty and that there is an adequate escape area (i.e. a free, safe area to which you can quickly move if the burner should fall).

During the handling, keep the load at not more than 10" from the ground.



After positioning the burner near the installation point, correctly dispose of all residual packaging, separating the various types of material. Before proceeding with the installation operations, carefully clean all around the area where the burner will be installed.

#### 4.3 Preliminary checks

##### Checking the consignment



After removing all the packaging, check the integrity of the contents. In the event of doubt, do not use the burner; contact the supplier.



The packaging elements (wooden cage or cardboard box, nails, clips, plastic bags, etc.) must not be abandoned as they are potential sources of danger and pollution; they should be collected and disposed of in the appropriate places.



The output of the burner must be within the boiler's firing rate;



A burner label that has been tampered with, removed or is missing, along with anything else that prevents the definite identification of the burner makes any installation or maintenance work difficult.

#### 4.4 Boiler plate

Drill the combustion chamber mounting plate as shown in (Fig. 9). The position of the threaded holes can be marked using the gasket supplied with the burner.

inch	A	B	C
RLS 68-120/E	9 1/16"	12 25/32" - 14 1/2"	5/8 W

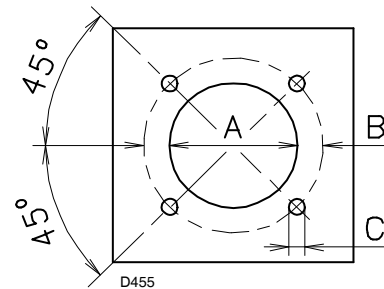


Fig. 9

### 4.5 Burner raising

In order to lift the burner, proceed as follows:

- screw the two extension bars 1) on the pins 2) (Fig. 10);
- place the two plates 3) fix them on the relevant ring nuts 4);

The four burner lifting points are indicated in Fig. 10.



The manufacturer declines any and every responsibility for any possible lifting movements, different from those indicated in this manual.

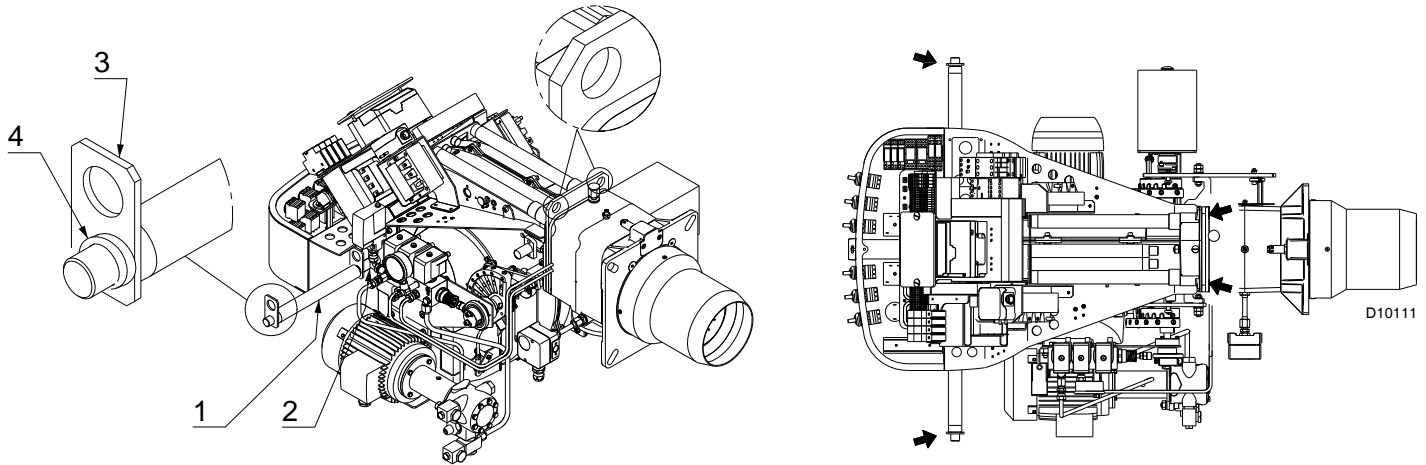


Fig. 10

### 4.6 Blast tube length

The length of the blast tube must be selected according to the indications provided by the manufacturer of the boiler, it must be greater than the thickness of the boiler door complete with its insulation. The range of lengths available, L (inch), is as follows:

Model	L
RLS 68-120/E	9 <sup>59</sup> / <sub>64</sub> "

For boilers with front flue passes 13) or flame inversion chambers, insulation material 11) must be inserted between the refractory 12) and the blast tube 10).

This protective insulation must not compromise the extraction of the blast tube. For boilers having a water-cooled front, the insulation 11)-12) (Fig. 11) is not required unless it is required by the boiler manufacturer.

### 4.7 Securing the burner to the boiler

Detach the combustion head from the burner, (Fig. 11):

- disconnect the oil pipes by unscrewing the two connectors 6);
- loosen the 4 screws 3) and remove the cover 1);
- disengage the swivel coupling 14) from the graduated sector;
- remove the screws 2) from the slide bars 5);
- remove the 2 screws 4) and pull the burner back on slide bars 5) by about 4";
- install the extension bars 31) Fig. 1, page 9 and re-screw the screws 2) including the safety plate 15);
- disconnect the electrode wires and then pull the burner completely off the slide bars.

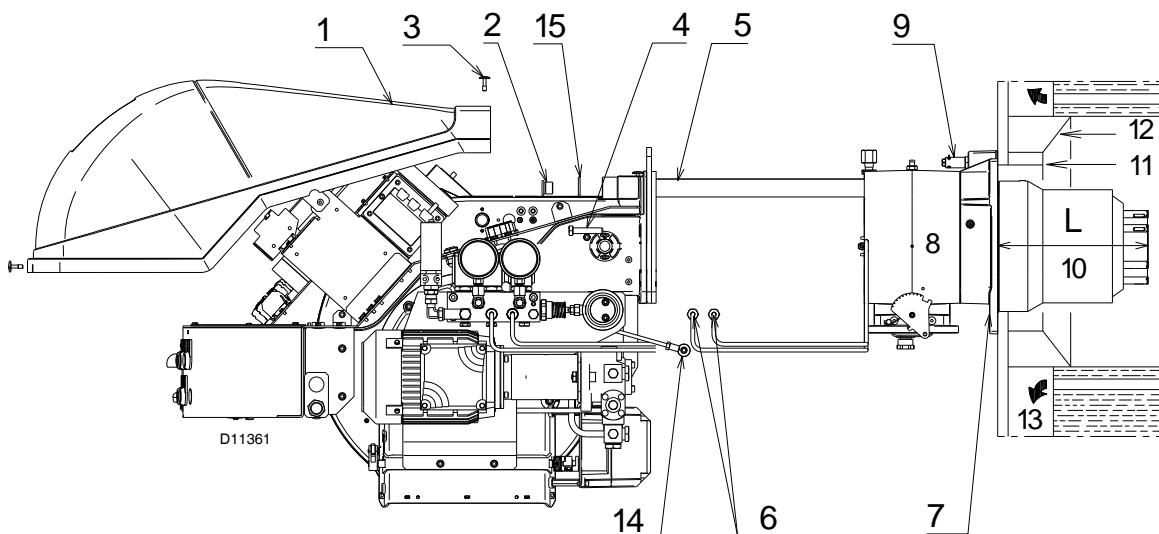


Fig. 11

### 4.8 Nozzle

The burner complies with the emission requirements of the UL 296 standard.

In order to guarantee that emissions do not vary, recommended and/or alternative nozzles specified by Riello in the Instruction and warning booklet should be used.



**It is advisable to replace nozzles every year during regular maintenance operations.**



**The use of nozzles other than those specified by the Manufacturer and inadequate regular maintenance may result into emission limits non-conforming to the values set forth by the regulations in force, and in extremely serious cases, into potential hazards to people and objects.**

**The manufacturing company shall not be liable for any such damage arising from nonobservance of the requirements contained in this manual.**

#### 4.8.1 Recommended nozzles

- BERGONZO A4 45°
- DELAVAN VARIFLO 45° and 60°
- FLUIDICS KC2 30° and 45°

#### 4.8.2 Nozzle assembly

In order to assemble the nozzle, proceed as follows:

- remove screw 1)(Fig. 12) and extract the nozzle assembly 2);
- install the nozzle 1)(Fig. 13);
- fitting the wrench through the central hole in the flame stability disk or loosen screws 1)(Fig. 14);
- remove disk 2)(Fig. 14) and replace the nozzles using the wrench 3)(Fig. 14).



- Do not use any sealing products such as gaskets, sealing compound, or tape.
- Be careful to avoid damaging the nozzle sealing seat.
- The nozzles must be screwed into place tightly but carefully.
- The nozzle for low fire operation is the one lying beneath the firing electrodes.
- Make sure that the electrodes are positioned as shown in Fig. 17.

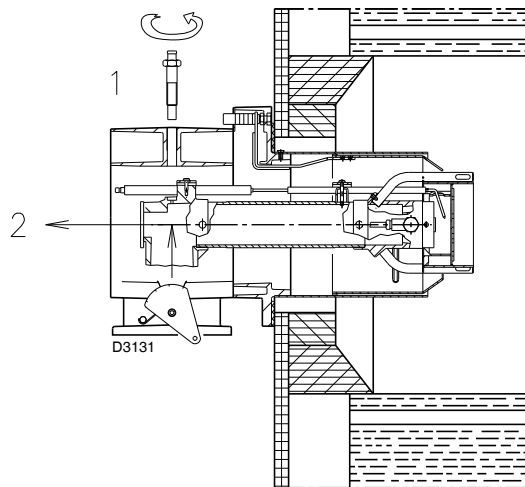


Fig. 12

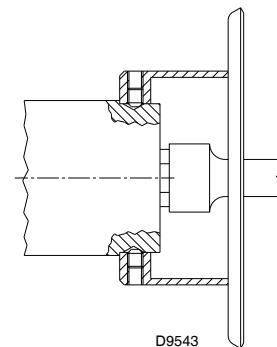


Fig. 13

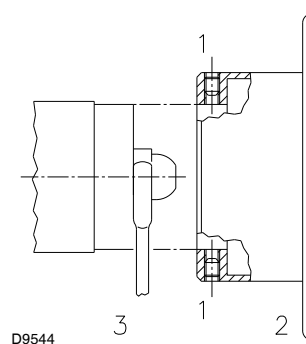


Fig. 14

**4.8.3 Adjusting the nozzle flow rate**

The nozzle flow rate varies according to the fuel pressure on the nozzle return.

Diagram (Fig. 16) indicates this relationship for type A4 return flow nozzles with pump delivery pressure of 290 PSI. See Fig. 16:

Horizontal axis: PSI, nozzle return pressure

Vertical axis: GPH, nozzle flow rate

The values indicated in the right side of the diagram (Fig. 16), refer to the data printed on the nozzle.

With a pump delivery pressure of 290 PSI, the pressure on the nozzle return must not exceed 246.5 PSI.

The pressure difference between pump delivery and nozzle return must be at least 43.5 PSI. With smaller pressure differences, the pressure on the nozzle return can be unstable.

The nozzle return pressure value is indicated by the pressure gauge 1)(Fig. 15).

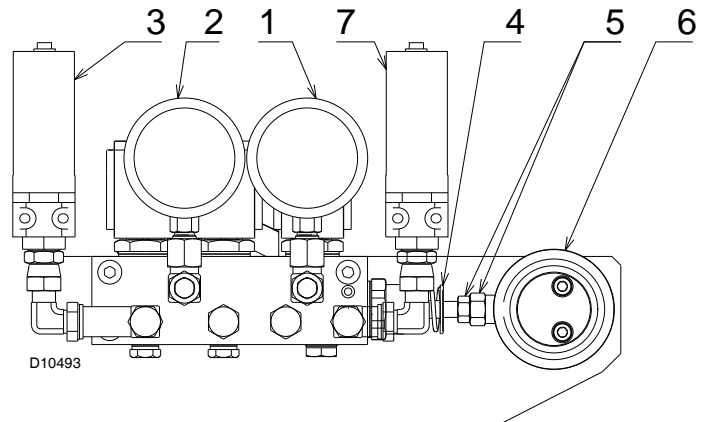
The output and the pressure of the nozzle are at maximum when the servomotor is positioned on maximum.

The proper setting of the eccentric 6) is possible when its operation field follows the servomotor operation field (0° - 90°): so, that every variation of the servomotor position corresponds to a pressure variation.

If at the maximum capacity of the nozzle (maximum pressure in the return line) pressure fluctuations are detected on the gauge 1), slightly decrease the pressure in the return line until they are completely eliminated.

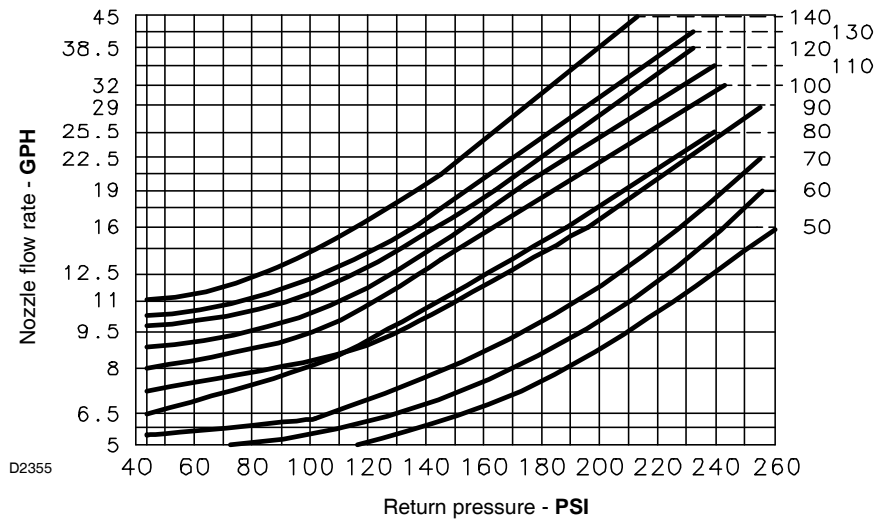
**Type A4 return flow nozzle (45°)**

Delivery pressure 290 PSI



**Fig. 15**

- 1 Gauge for pressure in return line
- 2 Gauge for pressure in delivery line
- 3 Low oil pressure switch
- 4 Ring for piston stop
- 5 Nut and lock-nut for piston setting
- 6 Fixed eccentric
- 7 High oil pressure switch



**Fig. 16**

The values indicated in the right side of the diagram (Fig. 16), refer to the data printed on the nozzle.

### 4.9 Electrode position



Make sure that the electrodes are positioned as shown in Fig. 17.

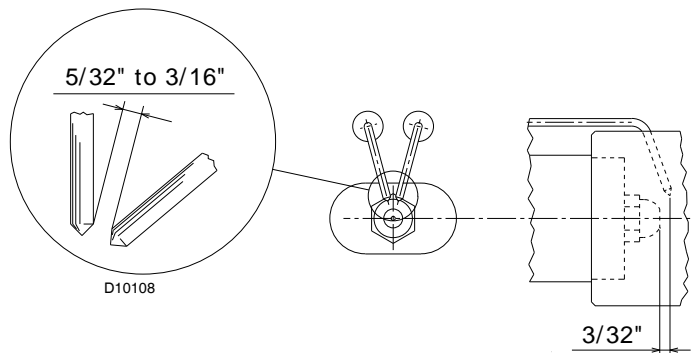


Fig. 17

### 4.10 Burner refitting

- Refit the burner to the slide bars 3)(Fig. 18) at approximately 4" from the sleeve 4) - burner positioned as shown in (Fig. 11, page 19) - insert the ignition electrode cables.
- Remove the extension bars 31)(Fig. 1, page 9).
- Slide the burner up to the sleeve so that it is positioned as shown in Fig. 18;
- refit screws 2)(Fig. 18) on slide bars 3) including the safety plate 15)(Fig. 11, page 19);
- secure the burner to the sleeve by tightening screws 1);
- connect the oil pipes again by screwing on the two connectors 6)(Fig. 11, page 19).
- connect the swivel coupling 7) from the graduate sector.



When fitting the burner on the two slide bars, it is advisable to gently draw out the high tension cables until they are slightly stretched.

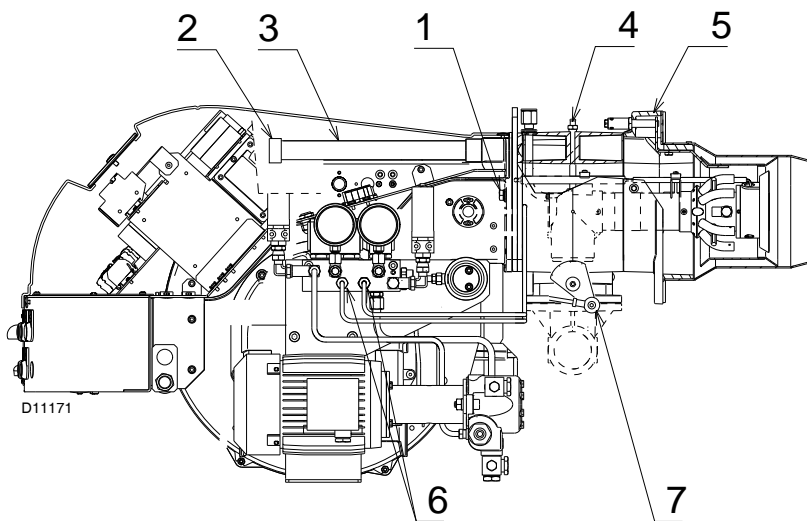


Fig. 18



**4.11 Hydraulic system**

**4.11.1 Fuel supply**

**Double-pipe circuit (Fig. 19)**

The burner is equipped with a self-priming pump which is capable of feeding itself within the limits listed in the table at the side.

**The tank higher than the burner A**

Distance "P" must not exceed 33 ft in order to avoid subjecting the pump's seal to excessive strain; distance "V" must not exceed 13 ft in order to permit pump self-priming even when the tank is almost completely empty.

**The tank lower than the burner B**

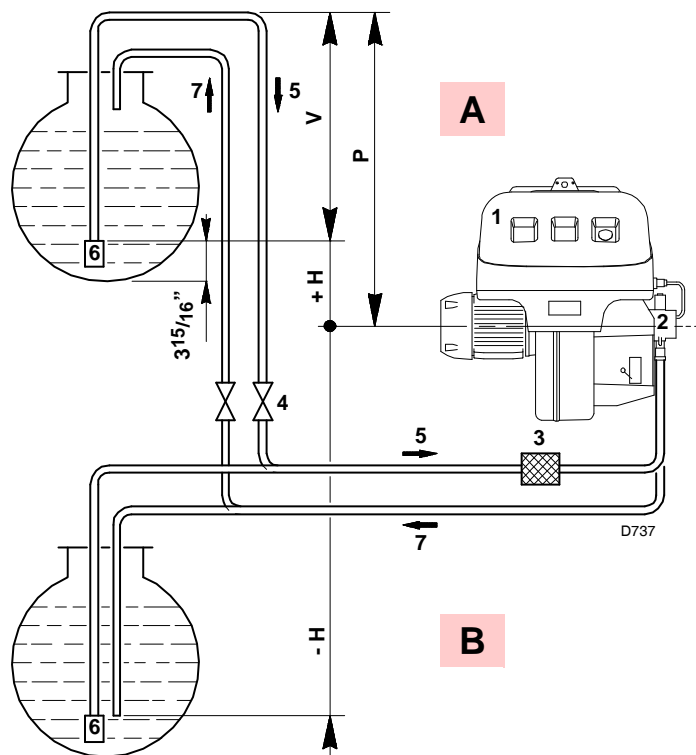
Pump suction values higher than 13 ft must not be exceeded because at higher levels gas is released from the fuel, the pump starts making noise and its working life-span decreases.

It is good practice to ensure that the return and suction lines enter the burner from the same height; in this way it will be less probable that the suction line fails to prime or stops priming.

**The loop circuit**

A loop circuit consists of a loop of piping exiting and returning to the tank with an auxiliary pump that circulates the fuel under pressure. A branch connection from the loop goes to feed the burner.

This circuit is extremely useful whenever the burner pump does not succeed in self-priming because the tank distance and/or height difference are higher than the values listed in the table below.



**Fig. 19**

+ H - H (ft)	L (ft)		
	Ø (inch)		
	3/8"	1/2"	5/8"
+ 13	234	454	493
+ 10	204	401	493
+ 6.6	174	399	493
+ 3.3	145	296	493
+ 1.6	132	270	493
0	118	243	451
- 1.6	105	217	405
- 3.3	92	191	359
- 6.6	63	138	266
- 10	33	86	174
- 13	-	33	82

- H Pump/foot valve height difference
- L Piping length
- Ø Inside pipe diameter
- 1 Burner
- 2 Pump
- 3 Filter
- 4 Manual on/off valve
- 5 Suction line
- 6 Foot valve
- 7 Return line
- V Max distance 13 ft

**4.11.2 Hydraulic connections**

The pumps are equipped with a by-pass that separates return line and suction line.

The pumps are installed on the burner with the by-pass closed by screw 6), see diagram Fig. 48, page 35.

It is therefore necessary to connect both hoses to the pump.

**Damage to the pump seal will occur immediately if it is run with the return line closed and the by-pass screw inserted.**

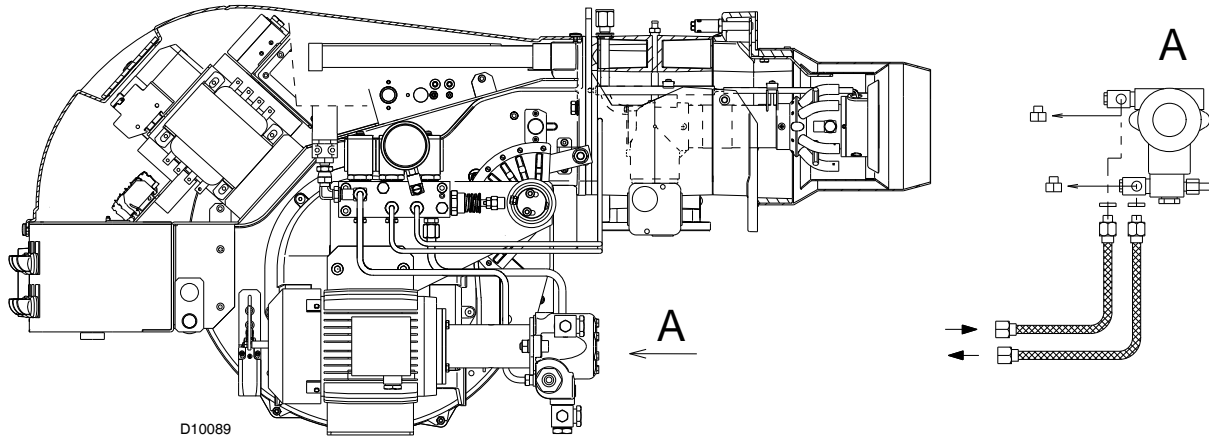
Remove the plugs from the suction and return connections of the pump.

Insert the hose connections with the supplied seals into the connections and screw them down.

Take care that the hoses are not stretched or twisted during installation.

Install the hoses where they cannot be stepped on or come into contact with hot surfaces of the boiler and where they do not hamper the opening of the burner.

Now connect the other end of the hoses to the suction and return lines.



**Fig. 20**

**4.11.3 Pump**

**Pump model J7C**

Min. delivery rate at 290 PSI pressure	GPH	85
Delivery pressure range	PSI	145 - 304.5
Max. suction pressure	"Hg	13
Viscosity range	cSt	2.8 - 200
Max light oil temperature	°F	194 (90 °C)
Max. suction and return pressure	PSI	21.8
Pressure calibration in the factory	PSI	290
Filter mesh width	inch	0.006

Key (Fig. 21)

- 1 Suction 1/2" NPT
- 2 Return 1/2" NPT
- 3 Pressure gauge attachment G 1/8"
- 4 Vacuum gauge attachment G 1/8"
- 5 Pressure adjustment screw
- 6 By-pass screw

**4.11.4 Pump priming**



**WARNING**

Before starting the burner, make sure that the tank return line is not clogged.

Obstructions in the line could cause the seal located on the pump shaft to break.

The time required for this operation depends upon the diameter and length of the suction tubing.

If the pump fails to prime at the first starting of the burner and the burner locks out, wait approx. 15 seconds, reset the burner, and then repeat the starting operation as often as required.

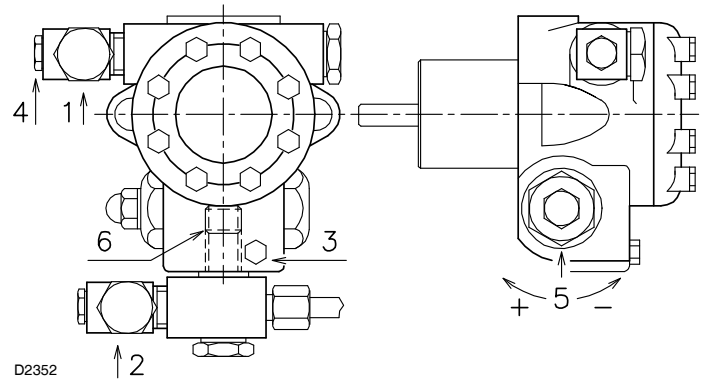
After 5 or 6 starting operations allow 2 or 3 minutes for the transformer to cool.



**WARNING**

The priming operation is possible because the pump is already full of fuel when it leaves the factory. If the pump has been drained, fill it with fuel through the opening on the vacuum meter prior to starting; otherwise, the pump will seize.

Whenever the length of the suction piping exceeds 66 - 98 ft, the supply line must be filled using a separate pump.



**Fig. 21**

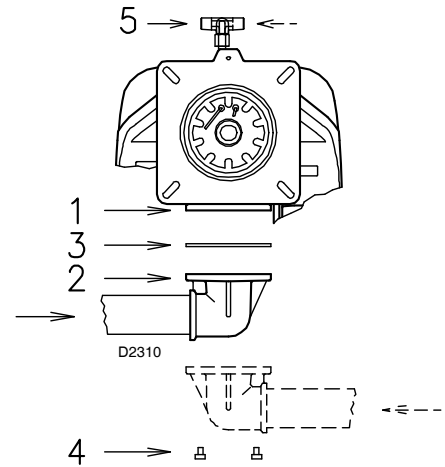
**4.12 Gas line**

The main gas train must be connected to the gas attachment 1) (Fig. 22), using flange 2), gasket 3) and screws 4) supplied with the burner.

The main gas train can enter the burner from the right or left side, see (Fig. 22).

Gas safety shut-off valves 5)-6) (Fig. 23) must be as close as possible to the burner to ensure gas reaches the combustion head within the safety time range.

The pilot gas train must be connected to the gas attachment 5) (Fig. 22) and can enter the burner from the right or left side.



**Fig. 22**

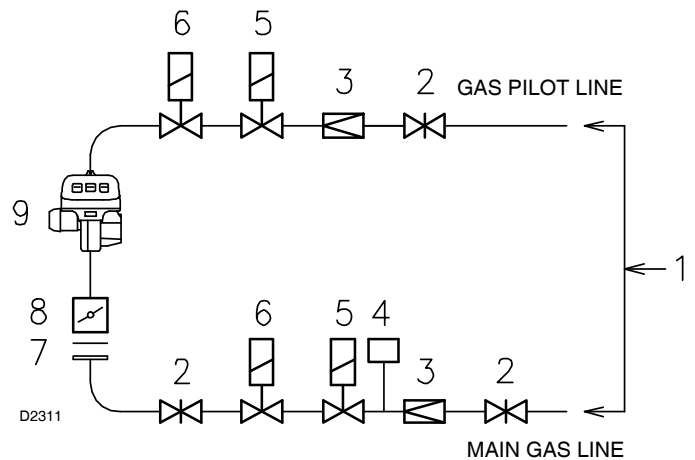
**4.13 Gas train**

It must be type-approved according to UL Standards and is supplied separately from the burner.



**WARNING**

See the accompanying instructions for the adjustment of the gas train.



**Fig. 23**

**Legend**

- 1 Gas input pipe
- 2 Manual valve
- 3 Pressure regulator
- 4 Low gas pressure switch
- 5 1st safety shut off valve
- 6 2nd safety shut off valve
- 7 Standard issue burner gasket with flange
- 8 Gas butterfly valve
- 9 Burner

**4.13.1 Gas pressure**

The adjacent diagram is used to calculate manifold pressure taking into account combustion chamber pressure.

Gas manifold pressure measured at test point 1)(Fig. 25), with:

- combustion chamber at 0 " WC
- burner operating at maximum output
- Combustion head adjusted as indicated in diagram (Fig. 36)

Calculate the approximate high fire output of the burner as follows:

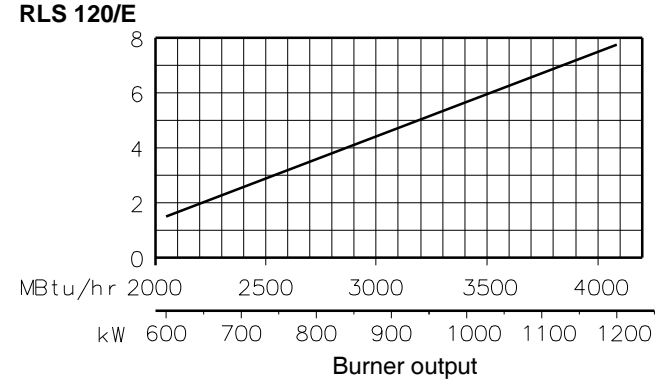
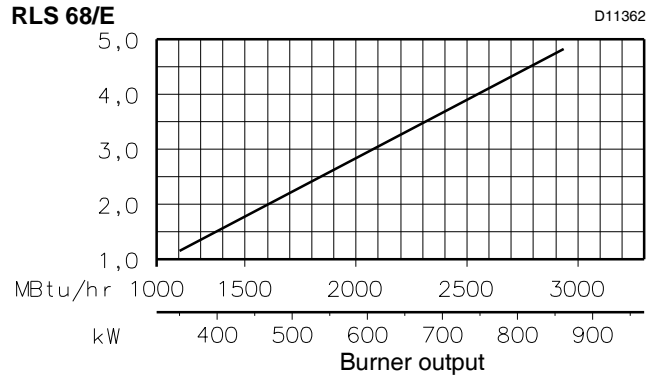
- subtract the combustion chamber pressure from the gas pressure measured at test point 1)(Fig. 25).
- Find the nearest pressure value to your result in Fig. 24.
- Read off the corresponding output on the left.

**Example**

- Maximum output operation
- Natural gas
- Gas pressure at test point 1)(Fig. 25) = 4.41" WC
- Pressure in combustion chamber = 0.79" WC
- 4.41 - 0.79 = 3.62" WC

A maximum output of 3616 MBtu/hr shown in Tab. I corresponds to 3.62" WC pressure, column 1, natural gas.

This value serves as a rough guide, the effective delivery must be measured at the gas meter.

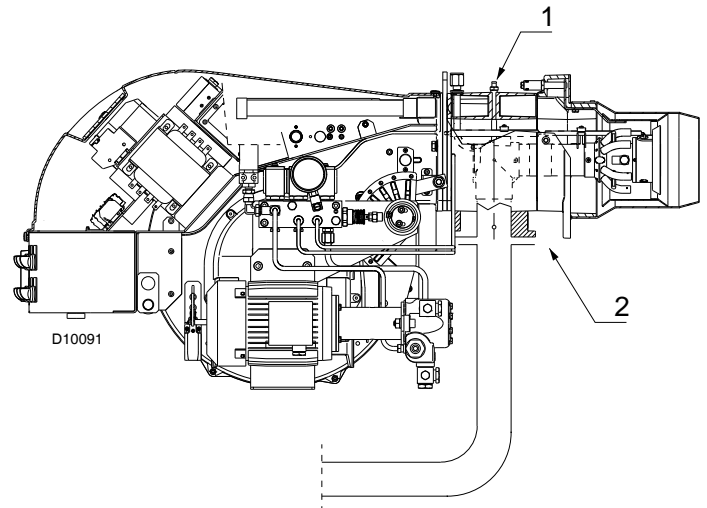


**Fig. 24**

RLS 68/E	
MBtu/hr	Δp (" WC)
1194	0.1
1535	0.1
1700	0.1
1880	0.1
2050	0.1
2390	0.2
2730	0.2
2934	0.2

RLS 120/E	
MBtu/hr	Δp (" WC)
2047	0.1
2440	0.2
2595	0.2
2815	0.2
3260	0.2
3480	0.3
3720	0.3
3990	0.3
4094	0.4

**Tab. I**



**Fig. 25**

## 4.14 Electrical wiring

### Notes on safety for the electrical wiring

- The electrical wiring must be carried out with the electrical supply disconnected.
- Electrical wiring must be carried out by qualified personnel and in compliance with the regulations currently in force in the country of destination. Refer to the electrical layouts.
- The manufacturer declines all responsibility for modifications or connections different from those shown in the electrical layouts.
- Check that the electrical supply of the burner corresponds to that shown on the identification label and in this manual.
- Do not invert the neutral with the phase in the electrical supply line.  
Any inversion would cause a lockout due to firing failure.
- The electrical safety of the device is obtained only when it is correctly connected to an efficient earthing system, made according to current standards.  
It is necessary to check this fundamental safety requirement. In the event of doubt, have the electrical system checked by qualified personnel.  
Do not use the gas tubes as an earthing system for electrical devices.
- The electrical system must be suitable for the maximum input power of the device, as indicated on the label and in the manual, checking in particular that the section of the cables is suitable for the input power of the device.
- For the main power supply of the device from the electricity mains:
  - do not use adapters, multiple sockets or extensions;
  - use an omnipolar switch with an opening of at least  $\frac{1}{8}$ " (overvoltage category) between the contacts, as indicated by the current safety standards.
- Do not touch the device with wet or damp body parts and/or in bare feet.
- Do not pull the electric cables.

If the cover is still present, remove it and proceed with the electrical wiring.

All the cables to be connected to the burner are fed through the grommets. See figure on the right.

The use of the cable grommets can take various forms.

By way of example we indicate the following mode (according to **UL795**):

- 1 Three phase power supply with  $\frac{3}{4}$  inch cable grommet.
- 2 Available: single phase power supply and other devices with  $\frac{1}{2}$  inch cable grommet.
- 3 HORN
- 4 Available: consents/safety, minimum gas pressure switch, gas valves and other devices with  $\frac{3}{8}$  inch cable grommet.
- 5 Anchor plate for installation of step down transformer.
- 6 Available for ground terminals



WARNING

The control panel is in compliance with UL508A.

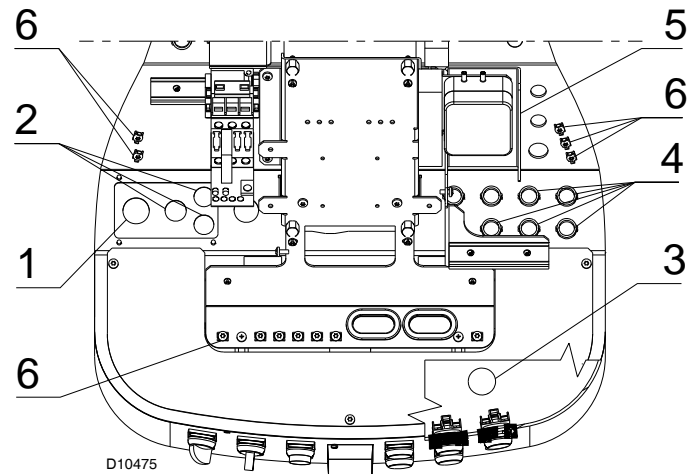


Fig. 26

**4.15 Thermal relay calibration**

Depending on the burner type, there are two different thermal relays:

- Electro-mechanical thermal relay (used for single phase motors)
- Electronic thermal relay (used for three phase motors)

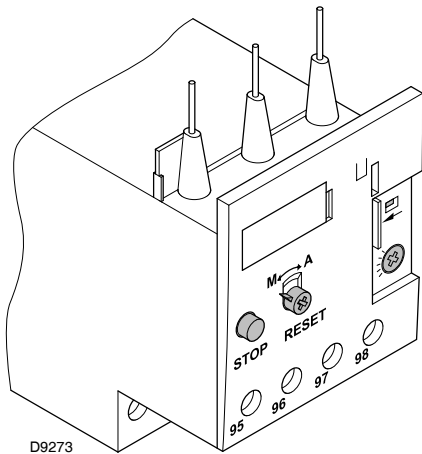
**4.15.1 Electro-mechanical thermal relay**

The electro-mechanical thermal relay (Fig. 27) is used to avoid damage to the motor owing to a strong increase in absorption or the lack of a phase.

For the calibration, refer to the table given in electrical layout. If the minimum value of the scale of the thermal relay is greater than the rating absorption of the motor, protection is still ensured.

This arises when the power supply of the motor is 400V.

- To reset, in the case of an intervention of the thermal relay, press the button "RESET" (Fig. 27).
- The button "STOP" (Fig. 27) opens the NC (95-96) contact and stops the motor.

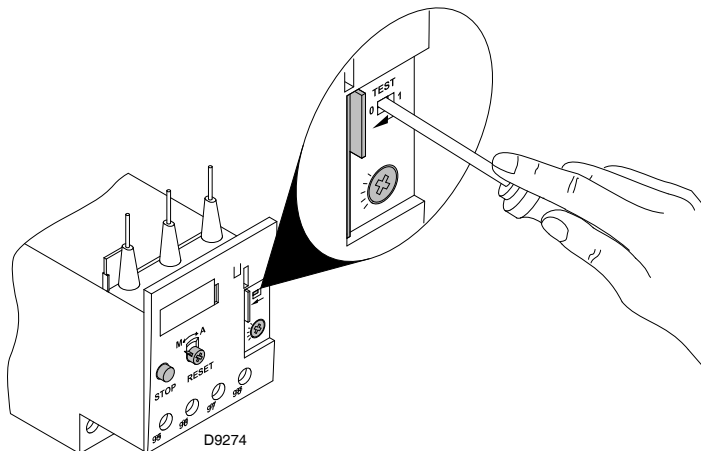


**Fig. 27**

- To test the thermal relay, insert a screwdriver in the window "TEST" (Fig. 28) and move it in the sense of the arrow (towards right).



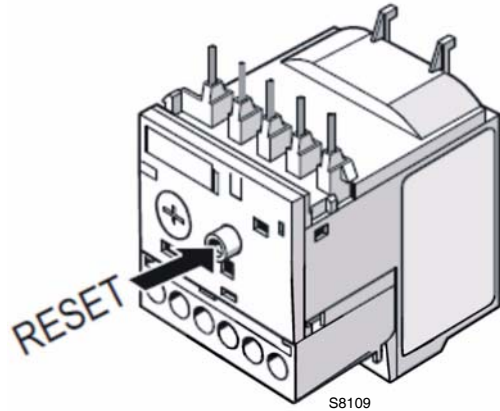
**Automatic resetting can be dangerous.**  
**This action is not provided for the burner operation.**



**Fig. 28**

**4.15.2 Electronic thermal relay**

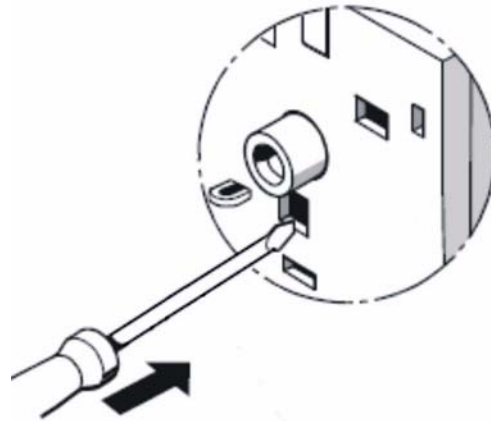
- To reset, in the case of an intervention of the thermal relay, press the button "RESET" (Fig. 29).



**Fig. 29**

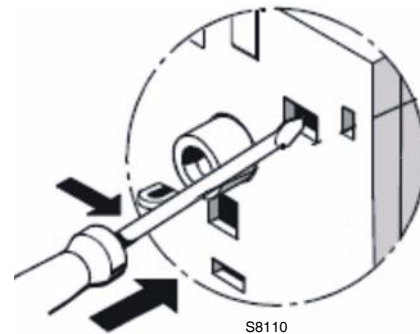
There are two different solution to test the electronic thermal relay:

- **Device test (Fig. 30)**  
 Push slowly the button in the window with a little screwdriver.



**Fig. 30**

- **Contact test NC (95-96) and NO (97-98)(Fig. 31)**  
 Insert in the window a little screwdriver and move it in the sense of the arrow.



**Fig. 31**

**4.16 Motor connection at 208-230 or 460V**

**WARNING:**

the motors, manufactured for 208-230/460 **IE2/Epact** voltage, have a different connection than **IE1** motors, no more star/delta but star/double star.

Please, pay attention to the indications in case of modification of voltage, maintenance, or substitution.

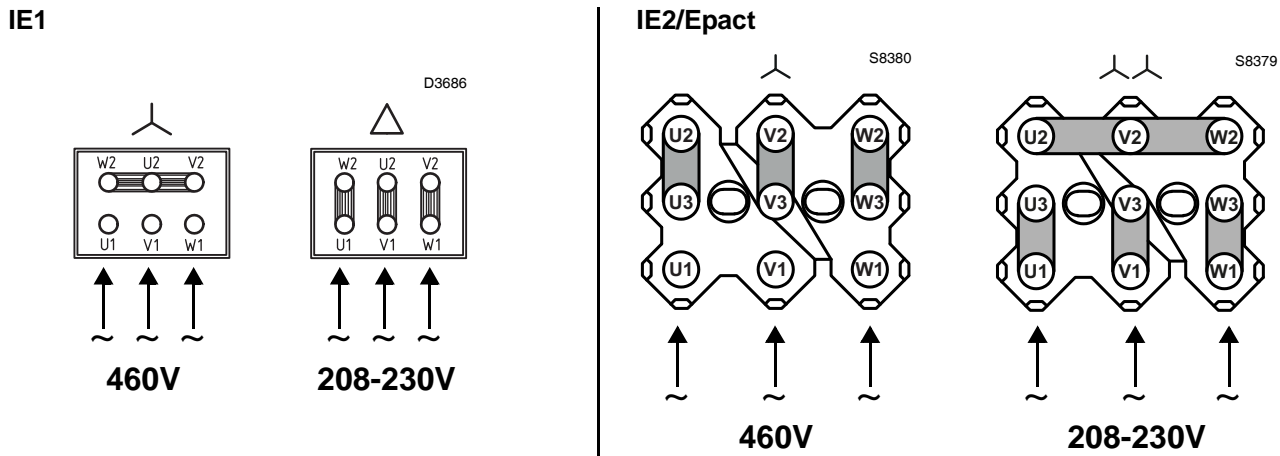


Fig. 32

**4.17 Motor connection at 575V**

**WARNING:**

the motors, manufactured for 575V **IE2/Epact** voltage, have the same control box base of the IE1 motors. Please pay attention to the indications in case of maintenance or substitution.

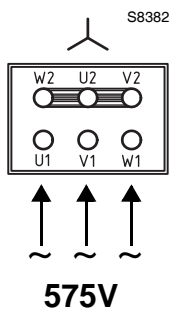


Fig. 33

**4.18 Reversible direction**

**WARNING:**

If it is necessary to reverse the direction then reverse the two main supply phases. For example: L1 with L2, there is not difference between **IE1** and **IE2/Epact**.

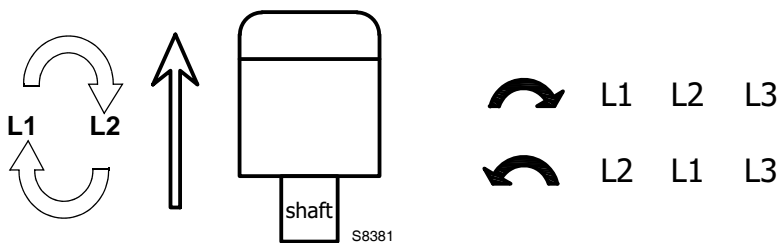


Fig. 34

**5**

**Start-up, calibration and operation of the burner**

**5.1 Notes on safety for the first start-up**



The first start-up of the burner must be carried out by qualified personnel, as indicated in this manual and in compliance with the standards and regulations of the laws in force.



Check the correct working of the adjustment, command and safety devices.

**5.2 Adjustments before first firing (light oil operation)**

**5.2.1 Combustion head setting**

The setting of the combustion head depends exclusively on the maximum delivery of the burner.

Turn screw 6 (Fig. 35) until the notch shown in diagram (Fig. 36) is level with the front surface of flange 5 (Fig. 35).

**Example:**

maximum burner delivery = 23.1 GPH.

If diagram (Fig. 36) is consulted it is clear that for this delivery, the combustion head must be adjusted using notch 3, as shown in (Fig. 35).

In case of high altitude site, head setting must refer to the "corrected capacity" according procedure described at page 11.

**5.2.2 Pump adjustment**

No settings are required for the pump, which is set to 360 PSI by the manufacturer. This pressure must be checked and adjusted (if required) after the burner has been ignited.

The only operation required in this phase is the application of a pressure gauge on the appropriate pump attachment.

**5.2.3 Air damper adjustment**

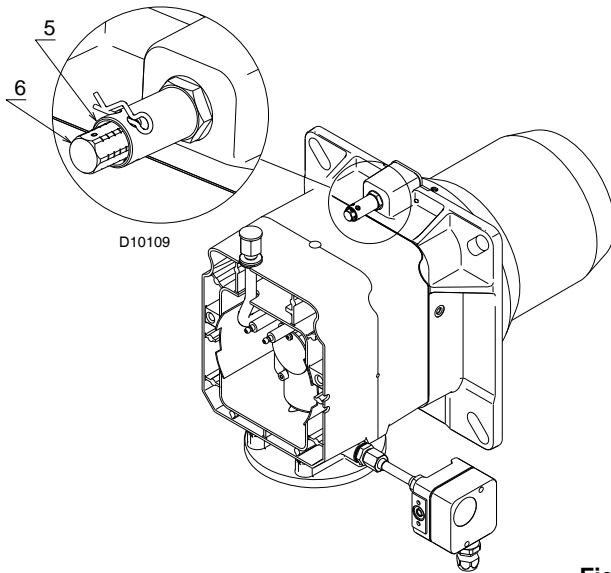
The first time the burner is fired leave the factory setting unchanged for both low and high fire operation.

**5.2.4 Ignition pilot adjustment**

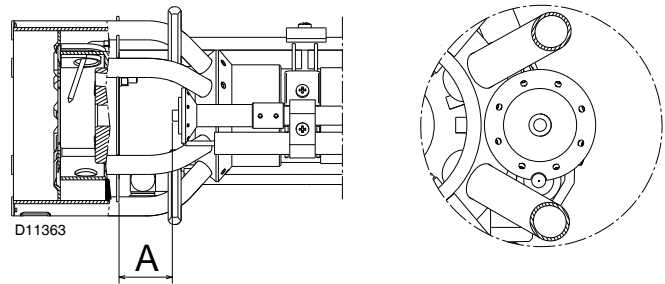
Place the pilot and electrode as shown in Fig. 37.

The pilot works correctly at pressures ranging from 3-4" WC.

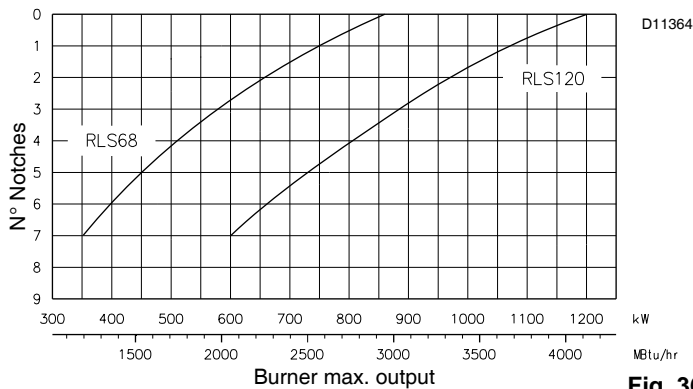
Model	A
RLS 68/E	1 21/64"
RLS 120/E	1 21/64"



**Fig. 35**



**Fig. 37**



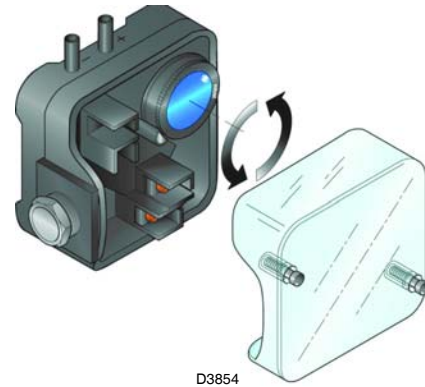
**Fig. 36**



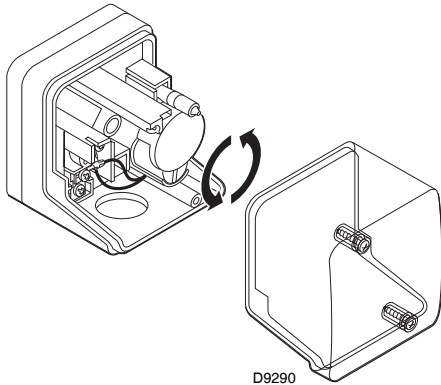
**5.3 Adjustments before first firing (gas operation)**

- Ensure that the gas supply company has carried out the supply line vent operations, eliminating air or inert gases from the piping.
- Slowly open the manual valves situated upstream of the gas train.
- Adjust the minimum gas pressure (Fig. 38) switch to the start of the scale.
- Adjust the maximum gas pressure switch (Fig. 39) to the end of the scale.
- Adjust the air pressure switch (Fig. 40) to the start of the scale.
- Purge the air from the gas line.  
Fit a U-type manometer (Fig. 41) to the gas pressure test point on the sleeve. The manometer readings are used to calculate the MAX. burner power using the diagram on page 26.

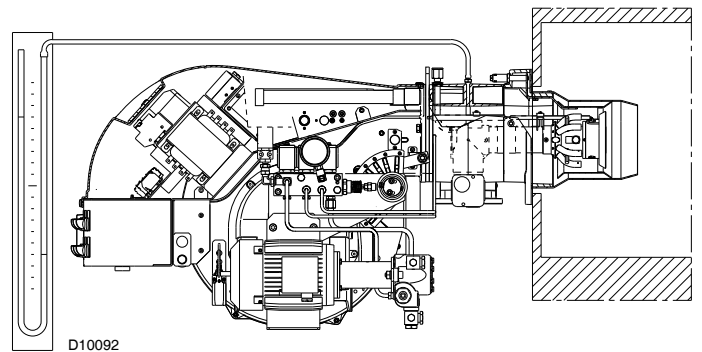
Before starting up the burner it is good practice to adjust the gas train so that ignition takes place in conditions of maximum safety, i.e. with gas delivery at the minimum.



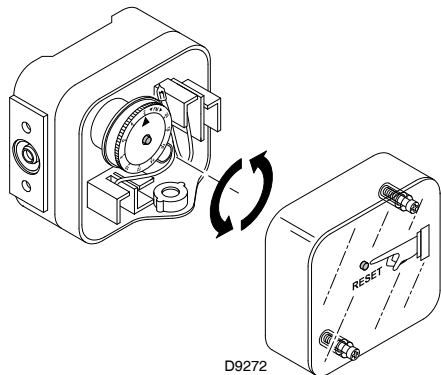
**Fig. 40**



**Fig. 38**



**Fig. 41**



**Fig. 39**

### 5.4 Burner start-up

Feed electricity to the burner via the disconnecting switch on the boiler panel.

Close the thermostats/pressure switches, set the parameters on the RWF 40 regulator.

Please refer to the specific manual for this operation.

Turn the switch to position “ON” (Fig. 42) and turn the switch of to position “LOCAL” and turn the switch to position “OIL” for oil operation and “GAS” for gas operation.



**DANGER**

Make sure that the lamps or testers connected to the solenoids, or indicator lights on the solenoids themselves, show that no voltage is present. If voltage is present, stop the burner **immediately** and check the electrical wiring.



**WARNING**

When the burner starts, check the direction of the motor rotation, as indicated in Fig. 42. As soon as the burner starts up, look at the cooling fan of the fan motor and check it is rotating anticlockwise.

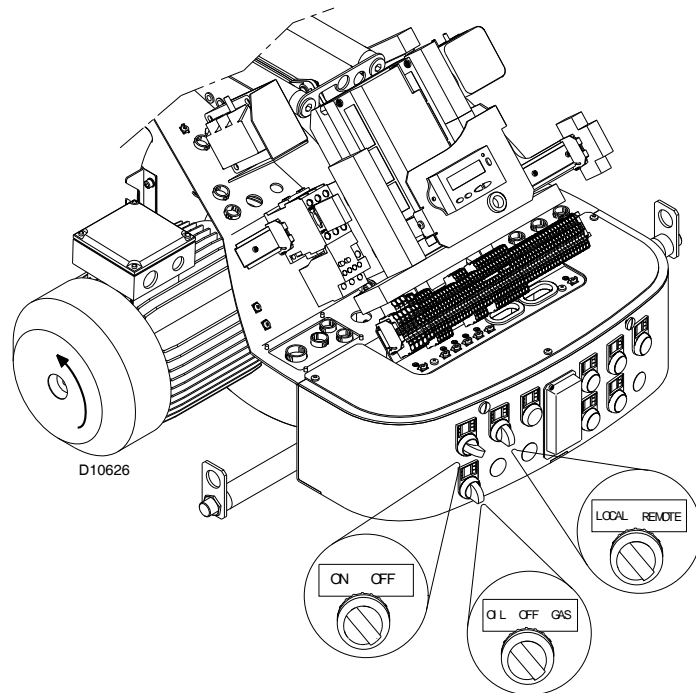
If this is not the case:

- place the switch of Fig. 42 in position “OFF” and wait for the control box to carry out the switch-off phase;
- disconnect the electrical supply from the burner;
- invert the phases on the three-phase power supply.



**WARNING**

**For the start-up procedure and the parameters calibration, refer to the specific instruction manual of the LMV36 ... electronic cam supplied with the burner.**



**Fig. 42**

#### 5.4.1 Adjusting gas/air delivery

- Move slowly towards the maximum output (butterfly gas valve completely open);
- adjust the required maximum output with the gas pressure stabilizer;
- adjust the combustion parameters with the air servomotor and store the maximum combustion point;
- complete the procedure slowly, synchronizing the combustion with the two servomotors and storing the different setting points.

#### 5.4.2 Adjusting oil/air delivery

- Switch to the light oil operation.
- During the ignition, move slowly with an approximate adjustment to the oil servomotor at maximum 90°.
- Adjust the maximum pressure on the return nozzle through the “nut and lock-nut” 5)(Fig. 15).
- Adjust the combustion parameter with the air servomotor and store the maximum combustion point.
- Complete the procedure slowly, synchronizing the combustion with the two servomotors.
- Store the different setting points.

**5.5 Final calibration of the pressure switches**

**5.5.1 Air pressure switch**

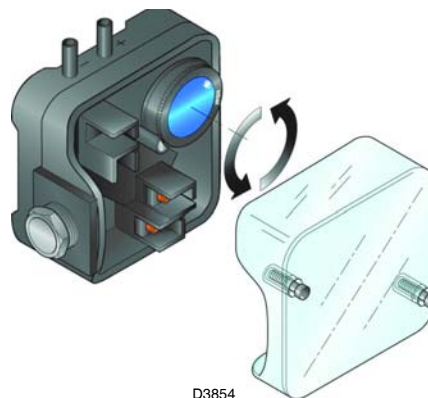
The air pressure switch is connected in differential (Fig. 44) and is activated by both the negative pressure of the air intake and the air pressure from the fan.

Adjust the air pressure switch (Fig. 43) after having performed all other burner adjustments with the air pressure switch set to the min. of the scale.

With the burner operating at low fire, adjust the pressure switch by slowly turning the relative knob clockwise until the burner locks out.

Then turn the knob counter-clockwise about 20% of the set point and start-up the burner again to ensure the set point is correct.

If the burner locks out again, turn the knob counter-clockwise a little bit more.



**Fig. 43**

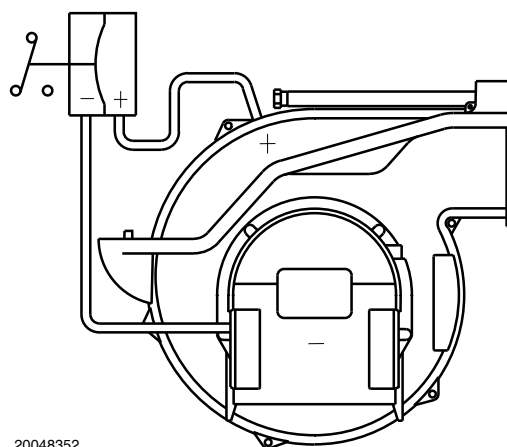
**5.5.2 Maximum gas pressure switch**

Adjust the maximum gas pressure switch (Fig. 45) after having performed all other burner adjustments with the maximum gas pressure switch set to the end of the scale.

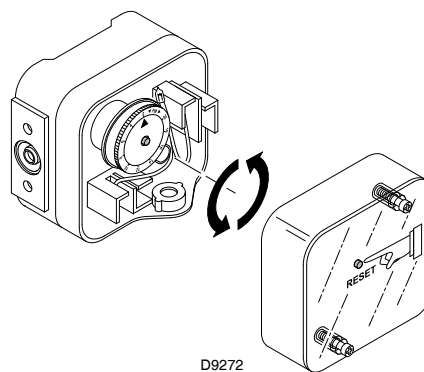
With the burner operating at MAX output, reduce the adjustment pressure by slowly turning the adjustment dial anticlockwise until the burner locks out.

Then turn the dial clockwise by 0.8" WC and repeat burner firing.

If the burner locks out again, turn the dial again clockwise by 0.4" WC.



**Fig. 44**



**Fig. 45**

**5.5.3 Minimum gas pressure switch**

Adjust the minimum gas pressure switch (Fig. 46) after having performed all the other burner adjustments with the pressure switch set at the start of the scale.

With the burner operating at MAX output, increase adjustment pressure by slowly turning the relative dial clockwise until the burner locks out.

Then turn the dial anti-clockwise by 0.8" WC and repeat burner starting to ensure it is uniform.

If the burner locks out again, turn the dial anti-clockwise again by 0.4" WC.

**5.5.4 Low oil pressure switch**

The low oil pressure switch is factory set to 261 PSI (18 bar).

If the oil pressure goes down this value in the delivery piping, the pressure switch stops the burner.

Burner starts again automatically if the pressure goes above 261 PSI (18 bar) after burner start up.

**5.5.5 High oil pressure switch**

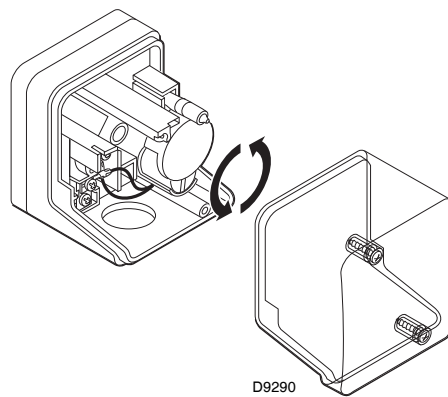
The high oil pressure switch is factory set to 43.5 PSI (3 bar).

If the oil pressure goes above this value in the return piping, the pressure switch stops the burner.

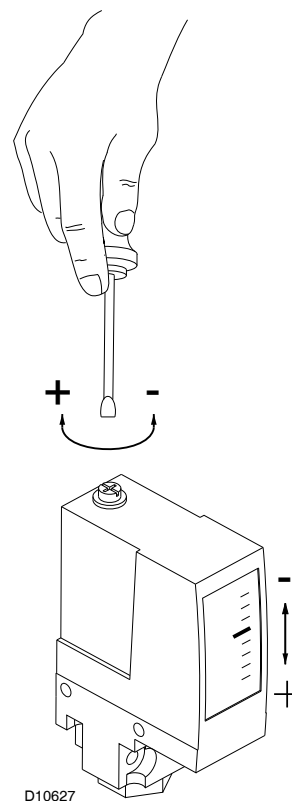
Burner starts again automatically if the pressure goes down under 43.5 PSI (3 bar) after burner shut down.

If a loop circuit with Px pressure feeds the burner, the pressure switch should be adjusted to Px + 43.5 PSI.

For the adjustment, see (Fig. 47).



**Fig. 46**



**Fig. 47**

**5.6 Burner starting (fuel oil adjustment)**

- Operating control closes, the motor starts.  
The pump 3)(Fig. 48) draws the fuel from the tank through the piping 1) and pumps it under pressure for delivery.  
The piston 4) rises and the fuel returns to the tank through the piping 5) - 7).
- The screw 6) closes the by-pass heading towards suction and the de-energized solenoid valves 8) - 9) - 2) close the passage to the nozzle.
- Air damper and pressure regulator are positioned on MIN output.
- Ignition electrode strikes a spark.
- Solenoid valves 8) - 9) - 2) open; the fuel passes through the piping 10) and filter 11), and enters the nozzle.  
A part of the fuel is then sprayed out through the nozzle, igniting when it comes into contact with the spark: flame at a low output level; the rest of the fuel passes through piping 12) at the pressure adjusted by the regulator 13, then, through piping 7), it goes back into the tank.
- The spark goes out.
- The starting cycle ends.

**5.6.1 Steady state operation**

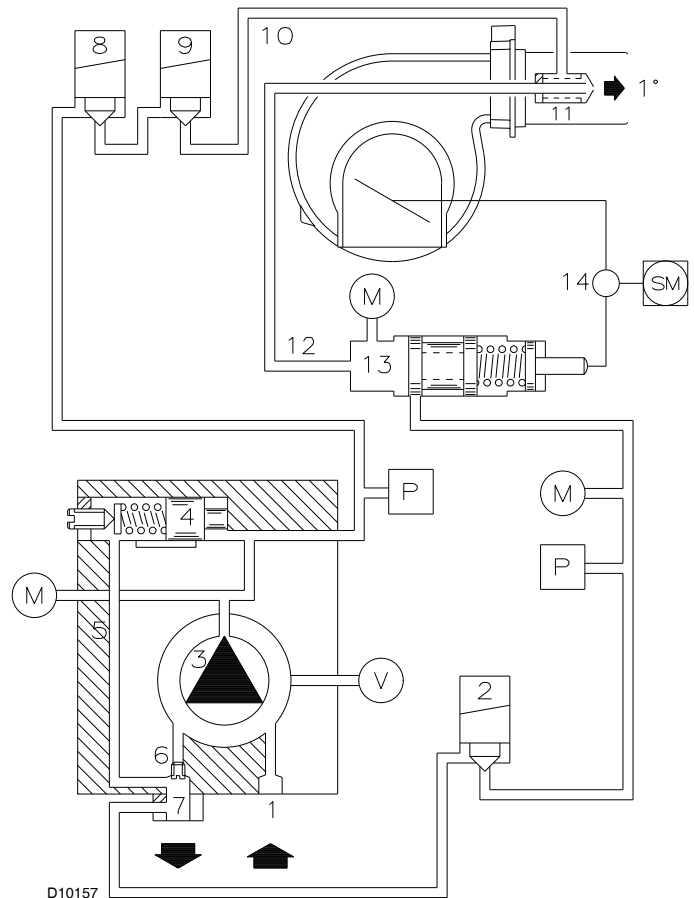
At the end of the starting cycle, the servo-motor control then passes to load control for boiler pressure or temperature.

- If the temperature or pressure is low (and the load control is consequently closed), the burner progressively increases output up to MAX.
- If subsequently the temperature or pressure increases until the load control opens, the burner progressively decreases output down to MIN.
- The burner shuts off when demand for heat is less than the heat supplied by the burner in the MIN output.
- The servomotor returns to the 0° angle limited by contact with cam 2. The air damper closes completely to reduce thermal dispersion to a minimum.

Every time output is changed, the servomotor automatically modifies oil delivery (pressure regulator) and air delivery (fan damper).

**5.6.2 Firing failure**

- If the burner does not fire, it goes into lock-out within 3 sec. of the opening of the light oil valve.
- If the flame should go out for accidental reasons during operation, the burner will lock out in 1 s.



**Fig. 48**

**5.7 Flame signal measurement**

Check the flame signal through the parameter 954, as indicated in Fig. 49. The displayed value is expressed in percentage.

The value during the operation must be higher than 24%.

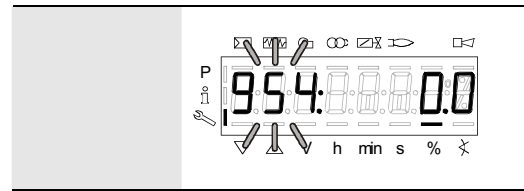
If at the burner start-up the value is higher or equal of 18%, the burner locks out due to the extraneous light.

For further and specific information, please refer to the specific instruction manual.

The display (Fig. 49) shows parameter **954**: flashing on the left.

On the right, the flame's intensity is displayed as a percentage.





Example: **954: 0.0**



S8171

**Fig. 49**

**5.8 Final checks (with the burner working)**

- |  |  |  |
|--|--|--|
| <ul style="list-style-type: none"> <li>➤ Open the control limit operation</li> <li>➤ Open the high limit operation</li> </ul>  |   | <p>The burner must stop</p>                                  |
| <ul style="list-style-type: none"> <li>➤ Rotate the maximum gas pressure switch knob to the minimum end-of-scale position</li> <li>➤ Rotate the air pressure switch knob to the maximum end of scale position</li> <li>➤ Rotate the maximum oil pressure switch at the minimum of the scale</li> </ul> |   | <p>The burner must stop in lockout</p>                       |
| <ul style="list-style-type: none"> <li>➤ Switch off the burner and disconnect the voltage</li> <li>➤ Disconnect the minimum gas pressure switch</li> <li>➤ Rotate the minimum low oil pressure switch at the maximum of the scale</li> </ul>   |   | <p>The burner must not start</p>                             |
| <ul style="list-style-type: none"> <li>➤ Cover the UV flame sensor</li> </ul>  |  | <p>The burner must stop in lockout due to firing failure</p> |



Make sure that the mechanical locking systems on the different adjustment devices are fully tightened.

## 6

## Maintenance

## 6.1 Notes on safety for the maintenance

The periodic maintenance is essential for the good operation, safety, yield and duration of the burner.

It allows you to reduce consumption and polluting emissions and to keep the product in a reliable state over time.



DANGER

The maintenance interventions and the calibration of the burner must only be carried out by qualified, authorised personnel, in accordance with the contents of this manual and in compliance with the standards and regulations of current laws.

Before carrying out any maintenance, cleaning or checking operations:



DANGER

Disconnect the electricity supply from the burner by means of the main switch of the system.



DANGER

Close the fuel interception tap.

**Combustion**

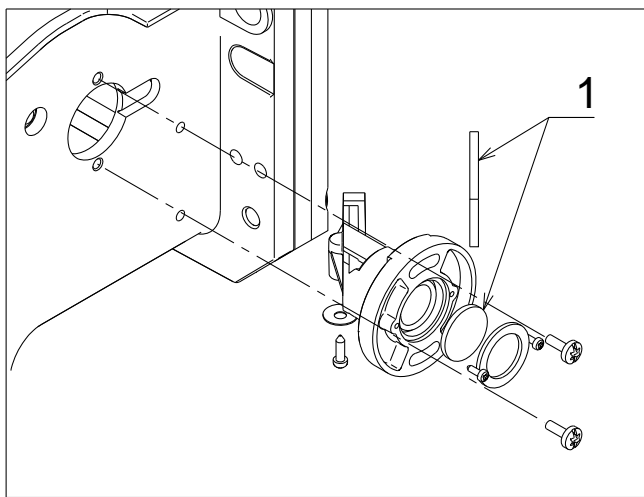
The optimum calibration of the burner requires an analysis of the flue gases. Significant differences with respect to the previous measurements indicate the points where more care should be exercised during maintenance.

**Gas leaks**

Make sure that there are no gas leaks on the pipework between the gas meter and the burner.

**Flame inspection window**

Clean the flame inspection window 1)(Fig. 50).



D10500

Fig. 50

**Combustion head**

Open the burner and make sure that all components of the combustion head are in good condition, not deformed by the high temperatures, free of impurities from the surroundings and correctly positioned. If in doubt, disassemble the elbow fitting 7)(Fig. 52, page 38).

**Nozzles (fuel oil)**

Do not clean the nozzle orifices. The nozzle filters however may be cleaned or replaced as required.

Replace the nozzles every 2-3 years or whenever necessary.

Combustion must be checked after the nozzles have been changed.

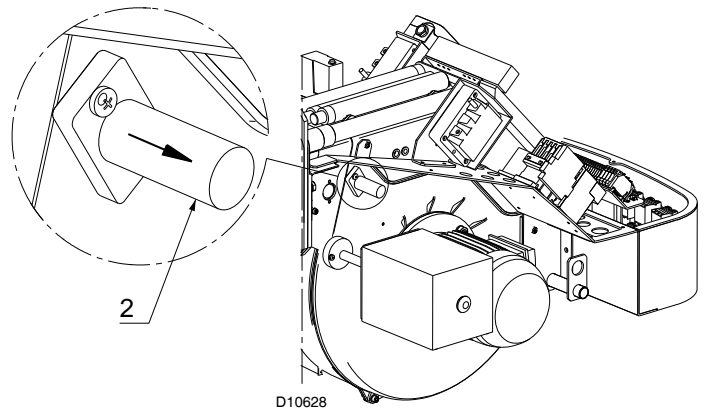
**Flexible hoses (fuel oil)**

Check to make sure that the flexible hoses are still in good condition and that they are not crushed or otherwise deformed.

**UV scanner**

In order to reach the UV scanner, proceed as follows:

- Extract the UV scanner 2).
- Clean the glass cover from any dust that may have accumulated.



D10628

Fig. 51

**Burner**

Check for excess wear or loose screws. Also make sure that the screws securing the electrical leads in the burner connections are fully tightened.

Clean the outside of the burner.

**Combustion**

Adjust the burner if the combustion values found at the beginning of the operation do not comply with the regulations in force, or at any rate, do not correspond to good combustion.

**6.2 Opening the burner**

**6.2.1 To open the burner**

To open the burner proceed sa follows:

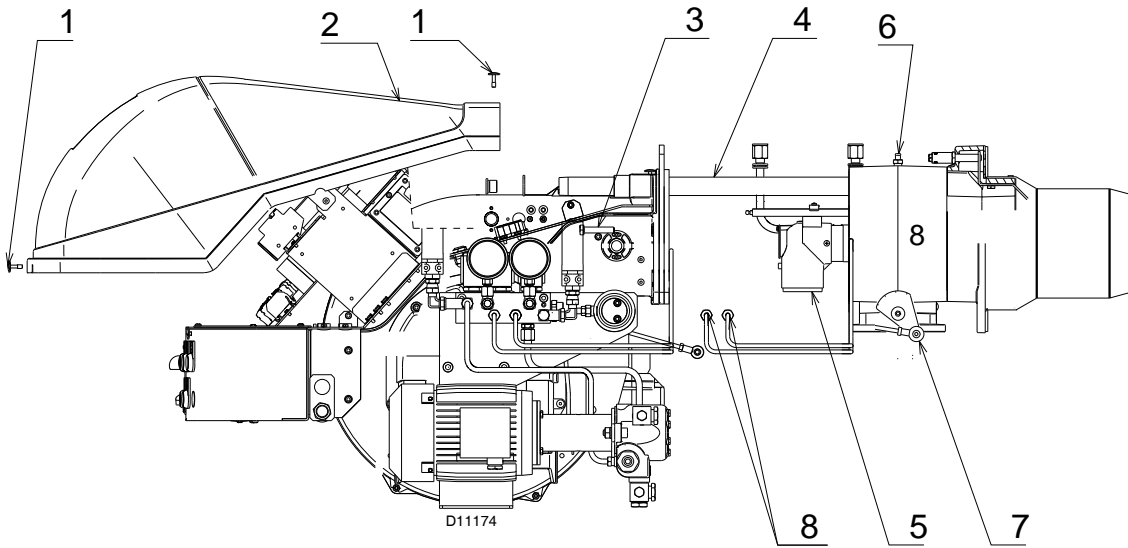
- switch off the electrical power;
- loosen screws 1) and withdraw the cover 2);
- disengage the swivel coupling 7) from the graduated sector;
- disconnect the light-oil pipes 8);
- remove screws 3) and pull the burner back by about 4" on the slide bars. disconnect the electrode leads.
- Install the extension bars 31)(Fig. 1, page 9) and re-screw the 2 screws and the safety plate Fig. 11, page 19.
- Pull the burner fully back.

Now extract the internal part 5) after having removed the screw 6).

**6.2.2 To close the burner**

To close the burner proceed sa follows:

- push the burner until it is about 4" from the sleeve;
- re-connect the leads.
- Remove the extension bars 31)(Fig. 1, page 9).
- Slide in the burner until it comes to a stop;
- refit screws 3) and pull the leads gently out until they are slightly stretched;
- re-couple the swivel coupling 7) to the graduated sector;
- reconnect the light-oil pipes.
- Re-screw the 2 screws and the safety plate Fig. 11, page 19.

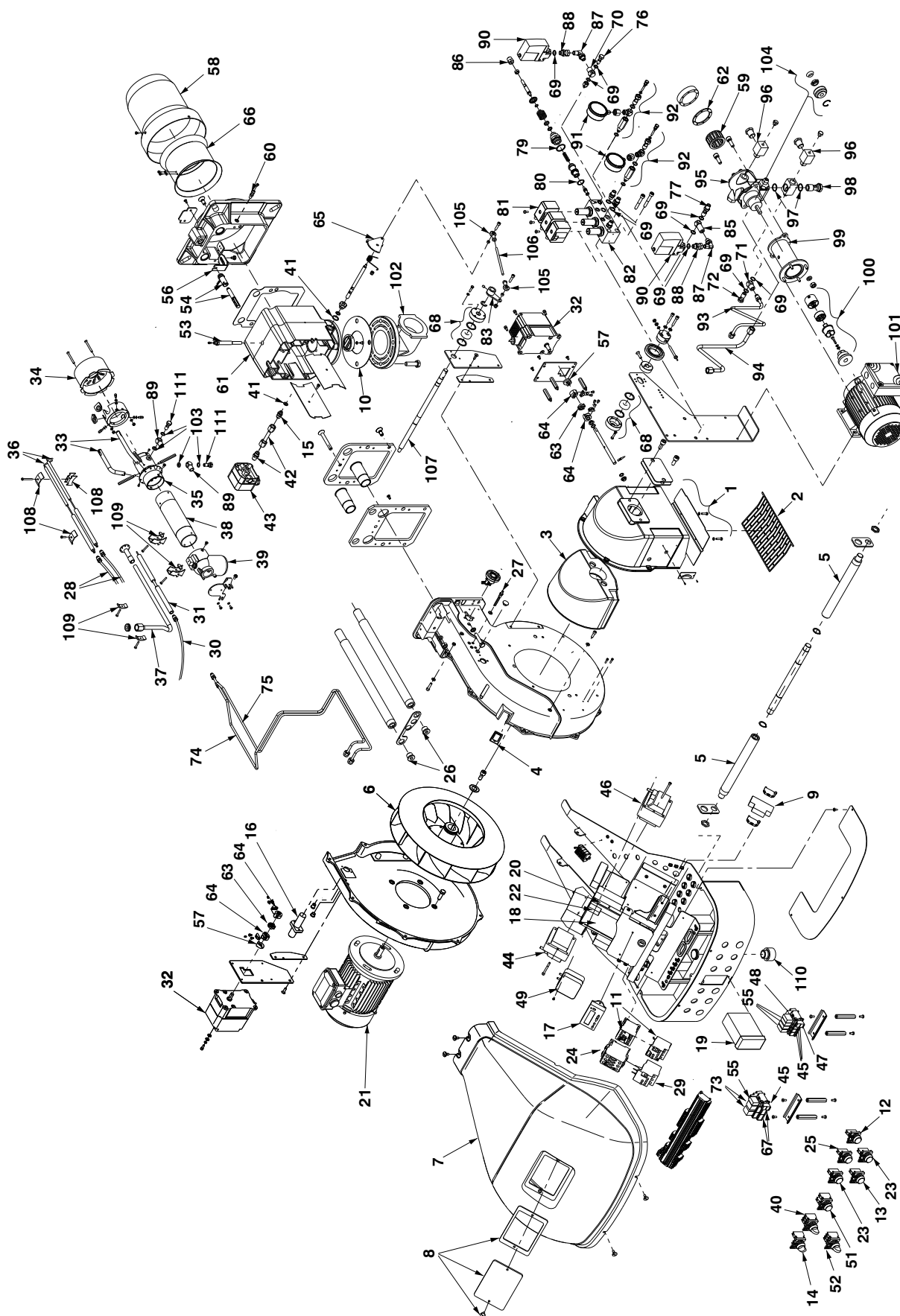


**Fig. 52**



**A**

**Appendix - Spare parts**



N.	RLS 68/E	RLS 120/E	CODE	DESCRIPTION	*
1	•	•	3013929	AIR DAMPER ASSEMBLY	
2	•	•	3003949	GRID	
3	•	•	3003952	SOUND DAMPING	
4	•	•	3003763	INSPECTION WINDOW	
5	•	•	3013686	BAR EXTENSION	
6	•		3012403	FAN	C
6		•	3012940	FAN	C
7	•	•	20027259	COVER	
8	•	•	20026784	VIEWING PORT	
9	•	•	20014366	FUSE HOLDER	A
10	•	•	3005482	SEAL	C
11	•	•	20027432	STARTER	C
12	•	•	20027018	RED SIGNAL LIGHT	C
13	•	•	20027020	YELLOW SIGNAL LIGHT	C
14	•	•	20027021	COMMUTATOR	C
15	•	•	3013095	CONNECTOR	
16	•	•	3003396	UV CELL	A
17	•	•	20010967	DISPLAY	
18	•	•	20028329	ELECTRONIC CAM	C
19	•	•	20031411	RWF 40	
20	•	•	20010971	CONNECTORS ASSEMBLY	C
21	•	•	20028308	MOTOR	C
22	•	•	3006211	FUSE	A
23	•	•	20027013	GREEN SIGNAL LIGHT	C
24	•	•	20028310	CONTACTOR	C
25	•	•	20027014	WHITE SIGNAL LIGHT	C
26	•	•	3013681	SCREW	
27	•	•	3003891	CONNECTOR	
28	•	•	3003973	HIGH VOLTAGE LEAD	A
29	•	•	20028312	THERMAL RELAY	C
30	•	•	20030010	HIGH VOLTAGE LEAD	A
31	•	•	20038216	ELECTRODE	A
32	•	•	20008601	SERVOMOTOR	
33	•		3013377	TUBE	A
33		•	3013376	TUBE	A
34	•		20038195	DIFFUSER DISC	A
34		•	20038326	DIFFUSER DISC	A
35	•	•	20038215	DISTRIBUTOR	B
36	•	•	3013371	ELECTRODE	A
37	•	•	20038217	PILOT TUBE	C
38	•	•	20038219	EXTERNAL TUBE	C
39	•	•	3012042	ELBOW	
40	•	•	20027422	COMMUTATOR	C
41	•	•	3007088	SEAL	A
42	•	•	3013055	TUBE	A
43	•	•	3012969	GAS PRESSURE SWITCH	A

N.	RLS		CODE	DESCRIPTION	*
	68/E	120/E			
44	•	•	3012956	TRANSFORMER	B
45	•	•	3012841	BASE	
46	•	•	3012938	TRANSFORMER	B
47	•	•	3020071	BASE	
48	•	•	3020068	RELAY	B
49	•	•	3012948	AIR PRESSURE SWITCH	A
51	•	•	20010962	BUTTON	
52	•	•	20028411	COMMUTATOR	C
53	•	•	3012049	SCREW	
54	•	•	3012639	CONTROL DEVICE	
55	•	•	20010969	RELAY	B
56	•	•	20030204	SQUARE	
57	•	•	3014079	SPACER	
58	•	•	20030206	END CONE	B
59	•	•	3006787	FILTER	A
60	•	•	3003322	CONNECTOR	
61	•	•	20035926	MANIFOLD	
62	•	•	3006292	SEAL	A
63	•	•	3013938	DISC	
64	•	•	3013937	HUB	C
65	•	•	20035928	GRADUATE SECTOR	
66	•		20030203	SHUTTER	C
66		•	20030202	SHUTTER	C
67	•	•	20028400	BASE	
68	•	•	3012357	BEARING	
69	•	•	3007079	SEAL	A
70	•	•	3006896	CONNECTOR	
71	•	•	3012455	CONNECTOR	
72	•	•	2003006	BAR	
73	•	•	20030708	RELAY	B
74	•	•	20038226	TUBE	C
75	•	•	20038227	TUBE	C
76	•	•	3006721	CONNECTOR	
77	•	•	20035934	CONNECTOR	
79	•	•	3003204	SEAL	A
80	•	•	3007150	O-RING	A
81	•	•	3003287	COIL	B
82	•	•	3012474	MODULATOR	
83	•	•	20028396	LEVER	
85	•	•	3012126	CONNECTOR	
86	•	•	20035955	NUT	
87	•	•	3014179	CONNECTOR	
88	•	•	3013462	CONNECTOR	
89	•	•	3006722	CONNECTOR	
90	•	•	3012384	PRESSURE SWITCH	A
91	•	•	3006140	PRESSURE GAUGE	A

N.	RLS 68/E		CODE	DESCRIPTION	*
	•	•			
92	•	•	3013531	VALVE	
93	•	•	20032500	TUBE	A
94	•	•	20032501	TUBE	A
95	•	•	3006369	PUMP	C
96	•	•	3012949	CONNECTOR	
97	•	•	3007164	SEAL	A
98	•	•	3006184	BAR	
99	•	•	3013050	JOINT	C
100	•	•	20028394	DRIVING COUPLING	A
101	•	•	20031015	MOTOR	C
102	•	•	3012971	ELBOW	
103	•	•	3007077	SEAL	A
104	•	•	3000805	SEAL	A
105	•	•	3006098	PIN JOINT	
106	•	•	3013897	TIE ROD	
107	•	•	20032430	SHAFT	
108	•	•	3013380	SUPPORT	
109	•	•	20038228	SUPPORT	
110	•	•	20031413	HORN	C
111	•	•	3003592	BAR	C
113	•	•	3013259	BEARING	

★

**ADVISED PARTS**

- A = Spare parts for minimum fittings
- A+B = Spare parts for basic safety fittings
- A+B+C = Spare parts for extended safety fittings

**B**

**Appendix - Accessories**

- **Gas train according to UL Standards**



The installer is responsible for the supply and installation of any required safety device(s) not indicated in this manual.