

Forced draught gas burners

Progressive two-stage or modulating operation



RS

| Code | Model |
|----------|----------|
| 20021825 | RS 190/E |
| 20006194 | RS 250/E |

| | | |
|----------|--|-----------|
| 1 | Information and general instructions | 3 |
| 1.1 | Information about the instruction manual | 3 |
| 1.1.1 | Introduction | 3 |
| 1.1.2 | General dangers | 3 |
| 1.1.3 | Danger: live components | 3 |
| 1.2 | Guarantee and responsibility | 4 |
| 1.2.1 | Owner's responsibility | 4 |
| 2 | Safety and prevention | 5 |
| 2.1 | Introduction | 5 |
| 2.2 | Personnel training | 5 |
| 3 | Technical description of the burner | 6 |
| 3.1 | Burner models designation | 6 |
| 3.2 | Technical data | 6 |
| 3.3 | Electrical data | 7 |
| 3.3.1 | Three phase burner | 7 |
| 3.3.2 | Three phase burner | 8 |
| 3.4 | Packaging | 9 |
| 3.5 | Overall dimensions | 9 |
| 3.6 | Firing rates | 10 |
| 3.7 | Burner components | 11 |
| 3.8 | Burner equipment | 11 |
| 3.9 | Control box for the air/fuel ratio (LMV37.4...) | 12 |
| 3.10 | Actuators (SQM33.5...) | 15 |
| 4 | Installation | 16 |
| 4.1 | Notes on safety for the installation | 16 |
| 4.2 | Handling | 16 |
| 4.3 | Preliminary checks | 16 |
| 4.4 | Operation position | 16 |
| 4.5 | Securing the burner to the boiler | 17 |
| 4.5.1 | Boring the boiler plate | 17 |
| 4.5.2 | Boiler fixing | 17 |
| 4.6 | Electrode positioning | 18 |
| 4.7 | Adjustment of the combustion head | 19 |
| 4.7.1 | Air adjustment | 19 |
| 4.7.2 | Gas adjustment | 19 |
| 4.8 | Gas train assembly | 21 |
| 4.9 | Gas feeding line | 21 |
| 4.10 | Gas supply pressure | 22 |
| 4.11 | Electrical wiring | 25 |
| 4.11.1 | Notes on safety for the electrical wiring | 25 |
| 4.11.2 | Calibration of the thermal relay | 26 |
| 4.12 | Motor connection at 208-230 or 460V | 27 |
| 4.13 | Motor connection at 575V | 27 |
| 4.14 | Reversible direction | 27 |
| 5 | Start-up, calibration and operation of the burner | 28 |
| 5.1 | Notes on safety for the first start-up | 28 |
| 5.2 | Operations before start-up | 28 |
| 5.3 | Burner start-up | 29 |
| 5.4 | Final calibration of the pressure switches | 29 |
| 5.4.1 | Air pressure switch | 29 |

| | | |
|----------|--|-----------|
| 5.4.2 | Maximum gas pressure switch | 30 |
| 5.4.3 | Minimum gas pressure switch | 30 |
| 5.5 | Final checks (with the burner working) | 30 |
| 6 | Maintenance | 31 |
| 6.1 | Notes on safety for the maintenance | 31 |
| 6.2 | Maintenance programme | 31 |
| 6.2.1 | Maintenance frequency | 31 |
| 6.2.2 | Checking and cleaning | 31 |
| 6.3 | Opening the burner | 32 |
| 6.4 | Closing the burner | 32 |
| A | Appendix - Spare parts | 33 |
| B | Appendix - Accessories | 37 |
| C | Appendix - Burner start up report | 38 |

1 Information and general instructions

1.1 Information about the instruction manual

1.1.1 Introduction

The instruction manual supplied with the burner:

- is an integral and essential part of the product and must not be separated from it; it must therefore be kept carefully for any necessary consultation and must accompany the burner even if it is transferred to another owner or user, or to another system. If the manual is lost or damaged, another copy must be requested from the Technical Assistance Service of the area;
- is designed for use by qualified personnel;
- offers important indications and instructions relating to the installation safety, start-up, use and maintenance of the burner.

Symbols used in the manual

In some parts of the manual you will see triangular DANGER signs. Pay great attention to these, as they indicate a situation of potential danger.

1.1.2 General dangers

The **dangers** can be of **3 levels**, as indicated below.



Maximum danger level!
This symbol indicates operations which, if not carried out correctly, **cause** serious injury, death or long-term health risks.



This symbol indicates operations which, if not carried out correctly, **may cause** serious injury, death or long-term health risks.



This symbol indicates operations which, if not carried out correctly, **may cause** damage to the machine and/or injury to people.

1.1.3 Danger: live components



This symbol indicates operations which, if not carried out correctly, lead to electric shocks with lethal consequences.

Other symbols:



ENVIRONMENTAL PROTECTION

This symbol gives indications for the use of the machine with respect for the environment.

- This symbol indicates a list.

Abbreviations used

| | |
|------|---------|
| Ch. | Chapter |
| Fig. | Figure |
| Pag. | Page |
| Sec. | Section |
| Tab. | Table |

Delivery of the system and the instruction manual

When the system is delivered, it is important that:

- The instruction manual is supplied to the user by the system manufacturer, with the recommendation to keep it in the room where the heat generator is to be installed.
- The instruction manual shows:
 - the serial number of the burner;

.....

- the address and telephone number of the nearest Assistance Centre;

.....

- The system supplier carefully informs the user about:
 - the use of the system,
 - any further tests that may be necessary before the system is started up,
 - maintenance and the need to have the system checked at least once a year by the manufacturer or another specialised technician.

To ensure a periodic check, the manufacturer recommends the drawing up of a Maintenance Contract.

1.2 Guarantee and responsibility

The manufacturer guarantees its new products from the installation date, in accordance with the regulations in force and/or the sales contract. At the moment of the first start-up, check that the burner is integral and complete.



WARNING

Failure to observe the information given in this manual, operating negligence, incorrect installation and the carrying out of non authorised modifications will result in the annulment by the manufacturer of the guarantee that it supplies with the burner.

In particular, the rights to the guarantee and the responsibility will no longer be valid, in the event of damage to things or injury to people, if such damage/injury was due to any of the following causes:

- incorrect installation, start-up, use and maintenance of the burner;
- improper, incorrect or unreasonable use of the burner;
- intervention of unqualified personnel;
- carrying out of non authorised modifications on the equipment;
- use of the burner with safety devices that are faulty, incorrectly applied and/or not working;
- installation of untested supplementary components on the burner;
- powering of the burner with unsuitable fuels;
- faults in the fuel power supply system;
- use of the burner even following an error and/or an irregularity;
- repairs and/or overhauls incorrectly carried out;
- modification of the combustion chamber with inserts that prevent the regular development of the flame, as structurally established;
- insufficient and inappropriate surveillance and care of those burner components most subject to wear and tear;
- use of non-original components, including spare parts, kits, accessories and optionals;
- force majeure.

the manufacturer furthermore declines any and every responsibility for the failure to observe the contents of this manual.

1.2.1 Owner's responsibility

Please pay attention to the Safety Warnings contained within this instruction manual. Keep this manual for your records and provide it to your qualified service agency for use in professionally setting up and maintaining your burner.

Your burner will provide years of efficient operation if it is professionally installed and maintained by a qualified service technician. If at any time the burner does not appear to be operating properly, immediately contact your qualified service agency for consultation.

We recommend annual inspection/service of your gas heating system by a qualified service agency.

Failure to follow these instructions, misuse, or incorrect adjustment of the burner could lead to equipment malfunction and result in asphyxiation, explosion or fire.



WARNING

If you smell gas:

- Do not touch any electrical items.
- Open all windows.
- Close all gas supply valves.
- Contact your local gas authority immediately.
- Do not store flammable or hazardous materials in the vicinity of fuel burning appliances.
- Improper installation, adjustment, alteration, service or maintenance can cause property damage, personal injury or death.
- Refer to this manual for instructional or additional information.
- Consult a certified installer, service representative or the gas supplier for further assistance.
- Burner shall be installed in accordance with manufacturers requirements as outlined in this manual, local codes and authorities having jurisdiction.

2**Safety and prevention****2.1 Introduction**

The **RIELLO** burners have been designed and built in compliance with current regulations and directives, applying the known technical rules of safety and envisaging all the potential danger situations.

It is necessary, however, to bear in mind that the imprudent and clumsy use of the equipment may lead to situations of death risk for the user or third parties, as well as the damaging of the burner or other items. Inattention, thoughtlessness and excessive confidence often cause accidents; the same applies to tiredness and sleepiness.

It is a good idea to remember the following:

- The burner must only be used as expressly described. Any other use should be considered improper and therefore dangerous. In particular:
 - it can be applied to boilers operating with water, steam, diathermic oil, and to other users expressly named by the manufacturer;
 - the type and pressure of the fuel, the voltage and frequency of the electrical power supply, the minimum and maximum deliveries for which the burner has been regulated, the pressurisation of the combustion chamber, the dimensions of the combustion chamber and the room temperature must all be within the values indicated in the instruction manual.
- Modification of the burner to alter its performance and destinations is not allowed.
- The burner must be used in exemplary technical safety conditions. Any disturbances that could compromise safety must be quickly eliminated.
- Opening or tampering with the burner components is not allowed, apart from the parts requiring maintenance.
- Only those parts envisaged by the manufacturer can be replaced.

2.2 Personnel training



The user is the person, body or company that has acquired the machine and intends to use it for the specific purpose. He is responsible for the machine and for the training of the people working around it.

The user:

- Undertakes to entrust the machine exclusively to suitably trained and qualified personnel.
- Must take all the measures necessary to prevent unauthorised people gaining access to the machine.
- Undertakes to inform his personnel in a suitable way about the application and observance of the safety instructions. With that aim, he undertakes to ensure that everyone knows the use and safety instructions for his own duties.
- Must inform the manufacturer if faults or malfunctioning of the accident prevention systems are noticed, along with any presumed danger situation.
- Personnel must always use the personal protective equipment envisaged by legislation and follow the indications given in this manual.
- Personnel must follow all the danger and caution indications shown on the machine.
- Personnel must not carry out, on their own initiative, operations or interventions that are not within their province.
- Personnel are obliged to inform their superiors of every problem or dangerous situation that may arise.
- The assembly of parts of other makes, or any modifications, can alter the characteristics of the machine and hence compromise operating safety. The manufacturer therefore declines any and all responsibility for any damage that may be caused by the use of non-original parts.

3 Technical description of the burner

3.1 Burner models designation

| Model | Code | Certification |
|----------|----------|---|
| RS 190/E | 20021825 |  |
| RS 250/E | 20006194 |  |

3.2 Technical data

| MODEL | | | RS 190/E | RS 250/E |
|--|---------|---------------|------------------------------------|---|
| Output ⁽¹⁾ | Maximum | kW MBtu/hr | 1420 - 2542 4845 - 8673 | 1387 - 2941 (2674*) 4732 - 10034 (9122*) |
| | Minimum | kW MBtu/hr | 522 1781 | 579 1975 |
| Fuel | | | Natural or Propane gas | Natural gas |
| - max. delivery | | SCFH | 8673 | 9808 |
| - pressure at max. delivery ⁽²⁾ | | " WC | 5.9 | 7.6 |
| Operation | | | Low - high or modulating | |
| Standard applications | | | Boilers: water, steam, thermal oil | |
| Ambient temperature | | °F | 32 - 104 (0 - 40 °C) | |
| Combustion air temperature | | °F max | 140 (60 °C) | |
| Noise levels ⁽³⁾ | | dBA | 83.1 | 83 |

Tab. A

- ⁽¹⁾ Reference conditions: Ambient temperature 68 °F (20 °C) - Barometric pressure 394" WC - Altitude 329 ft.
 - ⁽²⁾ Pressure at test point 21) (Fig. 5), with zero pressure in the combustion chamber, with open gas ring 2) (Fig. 21) at maximum burner output
 - ⁽³⁾ Sound pressure measured in manufacturer's combustion laboratory, with burner operating on test boiler and at maximum rated output.
- * Firing rate for C-ETL Canadian Listing

3.3 Electrical data

3.3.1 Three phase burner

| Fan motor IE1 | | RS 190/E | RS 250/E |
|----------------------------------|--------------------|-----------------------------------|-----------------|
| Model | | | |
| Control circuit power supply | V/Ph/Hz | 120/1/60 | |
| Main electrical supply (+/- 10%) | V/Ph/Hz | 208-220/3/60 | |
| Fan motor | rpm | 3430 | 3480 |
| | HP | 5.5 | 7.5 |
| | V | 208-230 | 208-230 |
| | A | 15.8 | 19.4 |
| Ignition transformer | V1 - V2 I1 - I2 | 120 V - 1 X 8 kV 1.6 A - 20 mA | |
| Electrical power consumption | W max | 5200 | 6550 |
| Electrical control circuit coms. | W | 750 | |
| Total electrical consumption | W | 5950 | 7300 |
| Electrical protection | | NEMA 1 | |

| Model | | RS 190/E | RS 250/E |
|----------------------------------|--------------------|-----------------------------------|-----------------|
| Control circuit power supply | V/Ph/Hz | 120/1/60 | |
| Main electrical supply (+/- 10%) | V/Ph/Hz | 460/3/60 | |
| Fan motor | rpm | 3430 | 3480 |
| | HP | 5.5 | 7.5 |
| | V | 460 | 460 |
| | A | 9.1 | 9.7 |
| Ignition transformer | V1 - V2 I1 - I2 | 120 V - 1 X 8 kV 1.6 A - 20 mA | |
| Electrical power consumption | W max | 6000 | 6550 |
| Electrical control circuit coms. | W | 750 | |
| Total electrical consumption | W | 6750 | 7300 |
| Electrical protection | | NEMA 1 | |

| Model | | RS 190/E | RS 250/E |
|----------------------------------|--------------------|-----------------------------------|-----------------|
| Control circuit power supply | V/Ph/Hz | 120/1/60 | |
| Main electrical supply (+/- 10%) | V/Ph/Hz | 575/3/60 | |
| Fan motor | rpm | 3430 | 3480 |
| | HP | 5.5 | 7.5 |
| | V | 575 | 575 |
| | A | 6.3 | 8.7 |
| Ignition transformer | V1 - V2 I1 - I2 | 120 V - 1 X 8 kV 1.6 A - 20 mA | |
| Electrical power consumption | W max | 5200 | 7350 |
| Electrical control circuit coms. | W | 750 | |
| Total electrical consumption | W | 5950 | 8100 |
| Electrical protection | | NEMA 1 | |

Tab. B

3.3.2 Three phase burner

| Fan motor IE2/EPACT | | | |
|----------------------------------|--------------------|-----------------------------------|----------|
| Model | | RS 190/E | RS 250/E |
| Control circuit power supply | V/Ph/Hz | 120/1/60 | |
| Main electrical supply (+/- 10%) | V/Ph/Hz | 208-220/3/60 | |
| Fan motor | rpm | 3540 | 3500 |
| | HP | 5.5 | 7.5 |
| | V | 208-230 | 208-230 |
| | A | 13.2 | 18.6 |
| Ignition transformer | V1 - V2 I1 - I2 | 120 V - 1 X 8 kV 1.6 A - 20 mA | |
| Electrical power consumption | W max | 4550 | 6300 |
| Electrical control circuit coms. | W | 750 | |
| Total electrical consumption | W | 5300 | 7050 |
| Electrical protection | | NEMA 1 | |

| Model | | RS 190/E | RS 250/E |
|----------------------------------|--------------------|-----------------------------------|----------|
| Control circuit power supply | V/Ph/Hz | 120/1/60 | |
| Main electrical supply (+/- 10%) | V/Ph/Hz | 460/3/60 | |
| Fan motor | rpm | 3540 | 3500 |
| | HP | 5.5 | 7.5 |
| | V | 460 | 460 |
| | A | 6.6 | 9.3 |
| Ignition transformer | V1 - V2 I1 - I2 | 120 V - 1 X 8 kV 1.6 A - 20 mA | |
| Electrical power consumption | W max | 4550 | 6300 |
| Electrical control circuit coms. | W | 750 | |
| Total electrical consumption | W | 5300 | 7050 |
| Electrical protection | | NEMA 1 | |

| Model | | RS 190/E | RS 250/E |
|----------------------------------|--------------------|-----------------------------------|----------|
| Control circuit power supply | V/Ph/Hz | 120/1/60 | |
| Main electrical supply (+/- 10%) | V/Ph/Hz | 575/3/60 | |
| Fan motor | rpm | 3540 | 3500 |
| | HP | 5.5 | 7.5 |
| | V | 460 | 575 |
| | A | 5.3 | 7.4 |
| Ignition transformer | V1 - V2 I1 - I2 | 120 V - 1 X 8 kV 1.6 A - 20 mA | |
| Electrical power consumption | W max | 4550 | 6250 |
| Electrical control circuit coms. | W | 750 | |
| Total electrical consumption | W | 5300 | 7000 |
| Electrical protection | | NEMA 1 | |

Tab. C

3.4 Packaging

- The packaging of the burner (Fig. 1) rests on a wooden platform that is particularly suitable for lift trucks. The overall dimensions of the packaging are shown in the table.
- The weight of the burner complete with its packaging is shown in table.

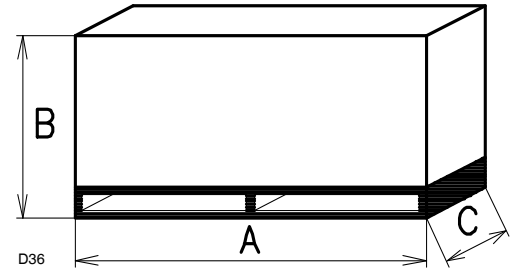


Fig. 1

| Inch | A | B | C | lbs |
|----------|--------------------------------|--------------------------------|--------------------------------|-----|
| RS 190/E | 52 ³ / ₄ | 28 ¹ / ₂ | 39 ³ / ₈ | 181 |
| RS 250/E | 52 ³ / ₄ | 28 ¹ / ₂ | 39 ³ / ₈ | 208 |

3.5 Overall dimensions

The dimensions of the burner are shown in Fig. 2.

Bear in mind that inspection of the combustion head requires the burner to be opened and the rear part drawn back on the guides.

The dimensions of the open burner are indicated by position I.

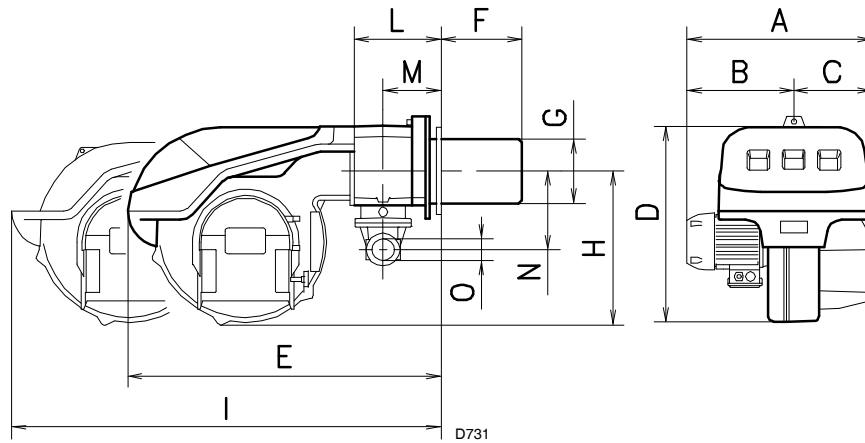


Fig. 2

| Inch | A | B | C | D | E | F | G | H | I | L | M | N | O |
|----------|----------------------------------|----------------------------------|----------------------------------|----------------------------------|----------------------------------|----------------------------------|---------------------------------|----------------------------------|---------------------------------|---------------------------------|---------------------------------|---------------------------------|---|
| RS 190/E | 26 ¹³ / ₁₆ | 14 ¹³ / ₃₂ | 12 ¹³ / ₃₂ | 21 ²⁷ / ₃₂ | 34 ²¹ / ₆₄ | 14 ²¹ / ₃₂ | 8 ³ / ₄ | 16 ¹⁵ / ₁₆ | 52 ⁹ / ₃₂ | 9 ¹¹ / ₁₆ | 5 ²⁹ / ₃₂ | 7 ⁵ / ₁₆ | 2 |
| RS 250/E | 28 ¹³ / ₁₆ | 16 ¹³ / ₁₆ | 12 | 21 ²⁷ / ₃₂ | 34 ²¹ / ₆₄ | 14 ¹ / ₃₂ | 8 ¹¹ / ₁₆ | 17 ¹ / ₆₄ | 52 | 9 ²¹ / ₆₄ | 5 ¹ / ₃₂ | 10 ¹ / ₆₄ | 2 |

3.6 Firing rates

The maximum output is chosen within area **A** of the diagram (Fig. 3).

The **minimum output** must not be lower than the minimum limit of the diagram.



The firing rate was obtained considering a room temperature of 68 °F and an atmospheric pressure of 394 "WC (approx. 0 ft above sea level), with the combustion head adjusted.

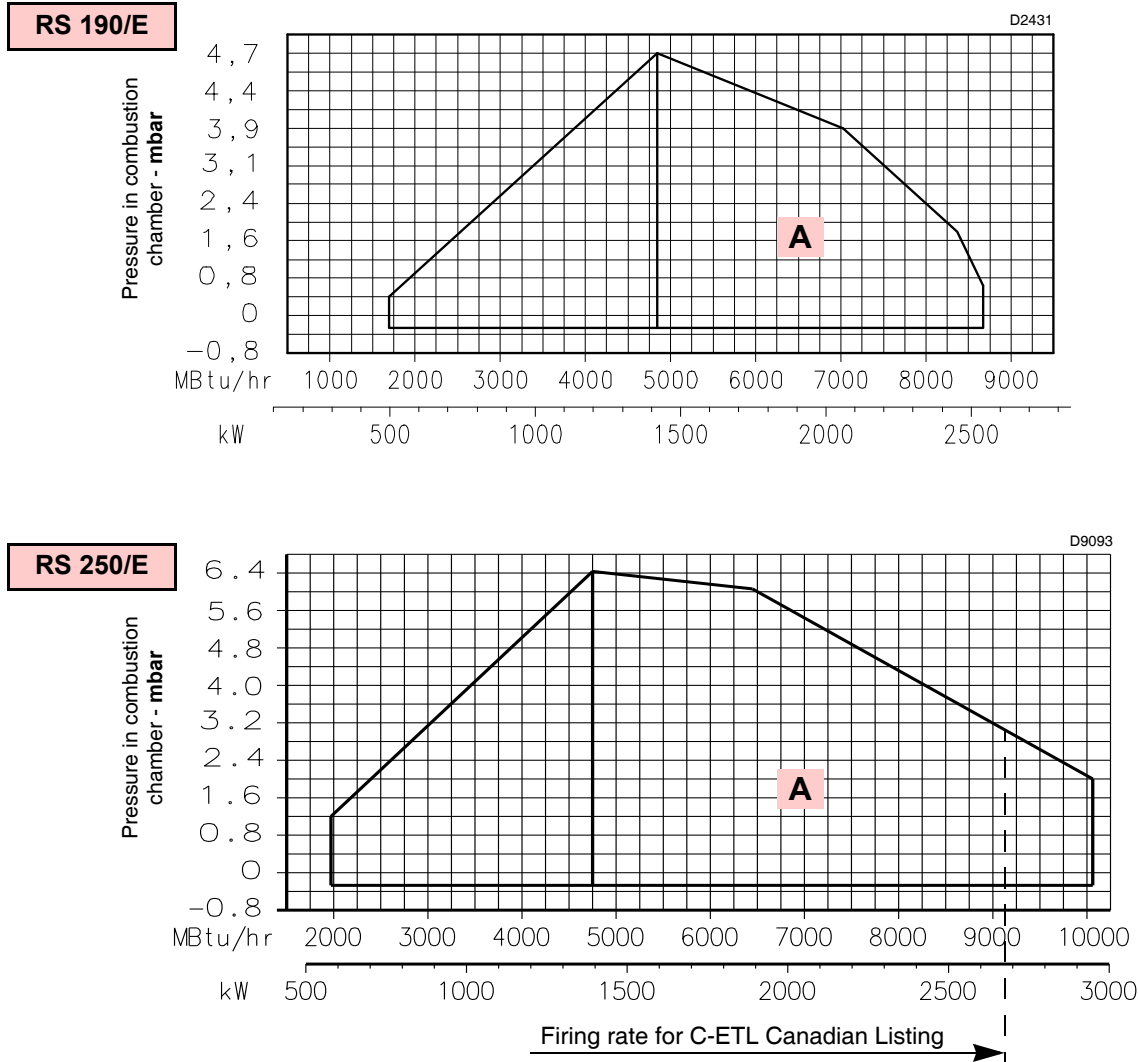


Fig. 3

The firing rates were obtained in special test boilers. Fig. 4 indicates the diameter and length of the test combustion chamber.

Example for RS 250/E

Output 6400 MBtu/hr - diameter 31.5 inch - length 10.4 ft.

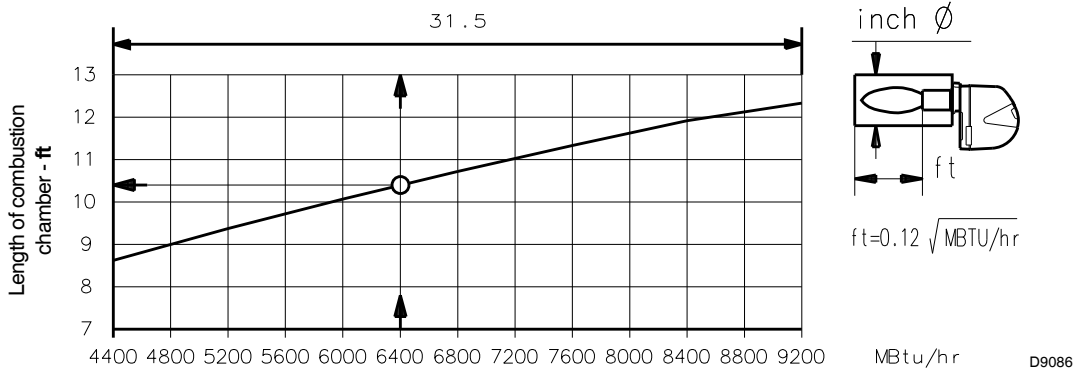


Fig. 4

3.7 Burner components

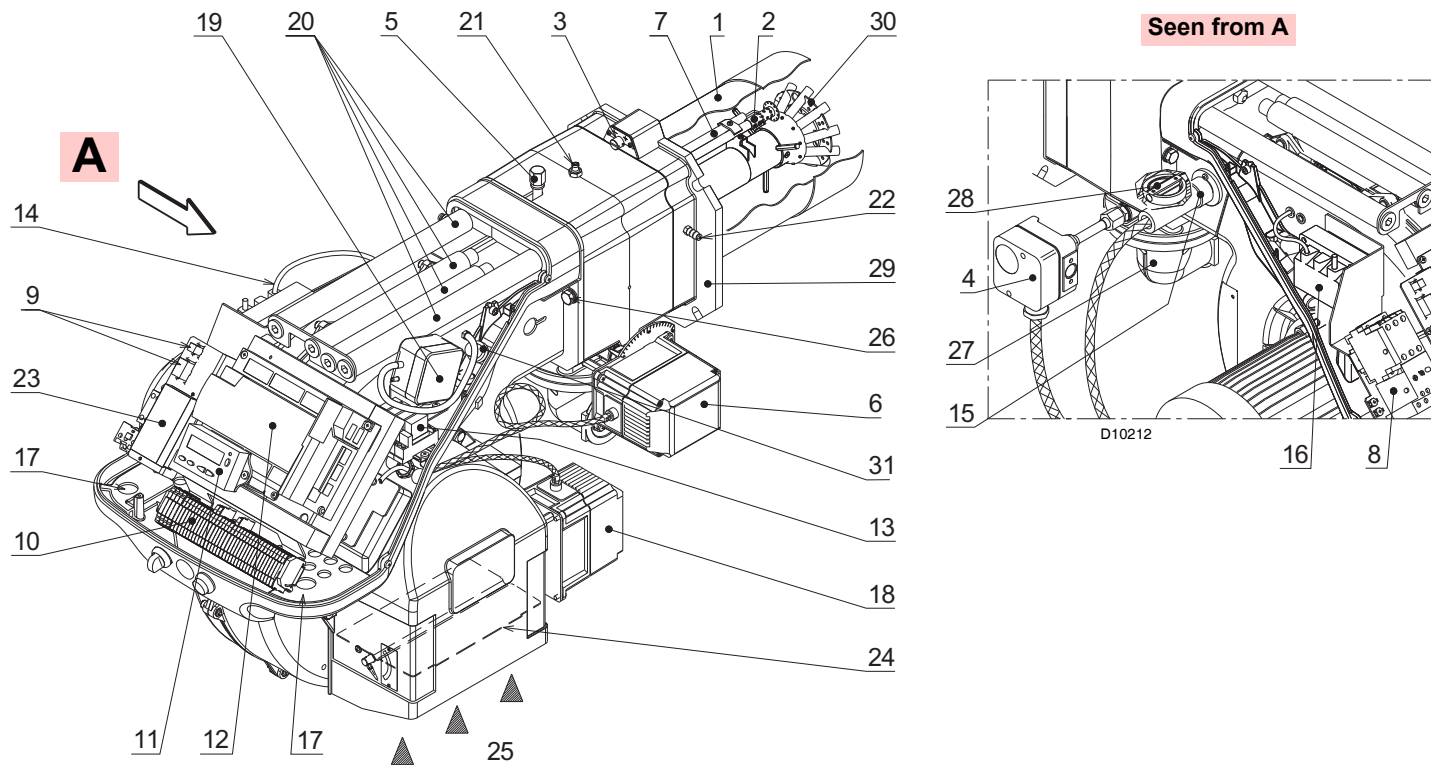


Fig. 5

- | | |
|--|---|
| 1 Combustion head | 18 Air actuator |
| 2 Burner pilot | 19 Air pressure switch (differential type) |
| 3 Screw for combustion head adjustment | 20 Guides for opening the burner and inspecting the combustion head with extensions |
| 4 Maximum gas pressure switch | 21 Gas pressure test point and head fixing screw |
| 5 Burner pilot attachment | 22 Air pressure socket |
| 6 Gas actuator | 23 Output regulator RWF40 |
| 7 Ignition electrode | 24 Air damper |
| 8 Motor contact maker and thermal relay with reset button | 25 Fan air inlet |
| 9 RWF40 connectors | 26 Screws to secure fan to pipe coupling |
| 10 Terminal board for electrical wiring | 27 Gas input pipe |
| 11 Operator panel with LCD display | 28 Gas butterfly valve |
| 12 Control box for checking flame and air/fuel ratio | 29 Boiler fixing flange |
| 13 Relay for external signal and operation | 30 Flame stability disc |
| 14 High voltage lead | 31 Alarm |
| 15 UV flame sensor | |
| 16 Ignition transformer | |
| 17 Holes for cable grommets for electrical wiring (to be carried out by the installer) | |

3.8 Burner equipment

The burner is supplied complete with:

- | | | | |
|--|-------|---|-------|
| Gas train flange | No. 1 | Disc | No. 1 |
| Flange gasket | No. 1 | Small disc | No. 1 |
| Screws (M10 x 40) to fix the flange | No. 4 | Plug for combustion head (RS 190/E) | No. 1 |
| Screws (M 14 x 40) to fix the burner flange to the boiler (RS 190/E) | No. 4 | Disc for combustion head (RS 190/E) | No. 1 |
| Screws (M 16 x 40) to fix the burner flange to the boiler (RS 250/E) | No. 4 | Instruction manuals | No. 1 |
| Screws (M4 x 7) | No. 2 | | |

3.9 Control box for the air/fuel ratio (LMV37.4...)

Warning notes



WARNING

To avoid injury to persons, damage to property or the environment, the following warning notes must be observed!

The LMV37.4... is a safety device!

Do not open, interfere with or modify the unit.

Riello S.p.A. will not assume responsibility for any damage resulting from unauthorized interference!

- All activities (mounting, installation and service work, etc.) must be performed by qualified staff.
- Before making any wiring changes in the connection area, completely isolate the plant from mains supply (all-polar disconnection). Ensure that the plant cannot be inadvertently switched on again and that it is indeed dead. If not observed, there is a risk of electric shock hazard.
- Ensure protection against electric shock hazard by providing adequate protection for the burner control's connection terminals.
- Each time work has been carried out (mounting, installation, service work, etc.), check to ensure that wiring and parameters is in an orderly state.
- Fall or shock can adversely affect the safety functions. Such units must not be put into operation, even if they do not exhibit any damage.

Introduction

The control box for the air/fuel ratio (Fig. 6), (hereafter referred to simply as the control box), that equips the burners, carries out a series of integrated functions in order to optimise burner functioning, both for single operation and together with other units (e.g. double furnace boiler or more than one generator at the same time).

The basic functions carried out by the control box relate to:

- flame control;
- the dosage of air and fuel via the positioning (with direct servo-control) of the relative valves, excluding the possible play in the mechanical cam calibration systems;
- the modulation of burner output, on the basis of the load requested by the system, maintaining the pressure or temperature of the boiler at the working values set;
- the safety diagnostic of the air and fuel circuits, via which it is possible to easily identify any causes of malfunctioning.

Mechanical design

The following system components are integrated in the LMV37.4... basic unit:

- Burner control with gas valve proving system
- Electronic air / fuel ratio control
- Control frequency converter air fan
- Modbus interface

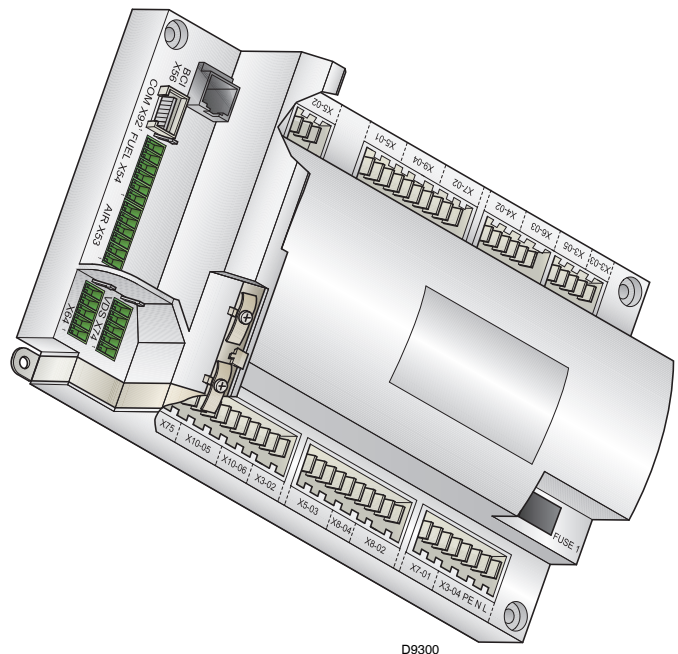


Fig. 6

Installation notes

- Always run high-voltage ignition cables separately while observing the greatest possible distance to the unit and to other cables.
- Do not mix up live and neutral conductors (fire hazard, dangerous failures, loss of protection against electric shock hazard, etc.).
- Do not lay the connecting cable from the LMV37.4... to the AZL2... together with other cables.



WARNING

The first start-up, like every further operation for the internal settings of the control box, requires access by means of a password and is only to be carried out by personnel of the Technical Assistance Service who have been specifically trained in the internal programming of the tool.

Electrical connection of the flame detectors

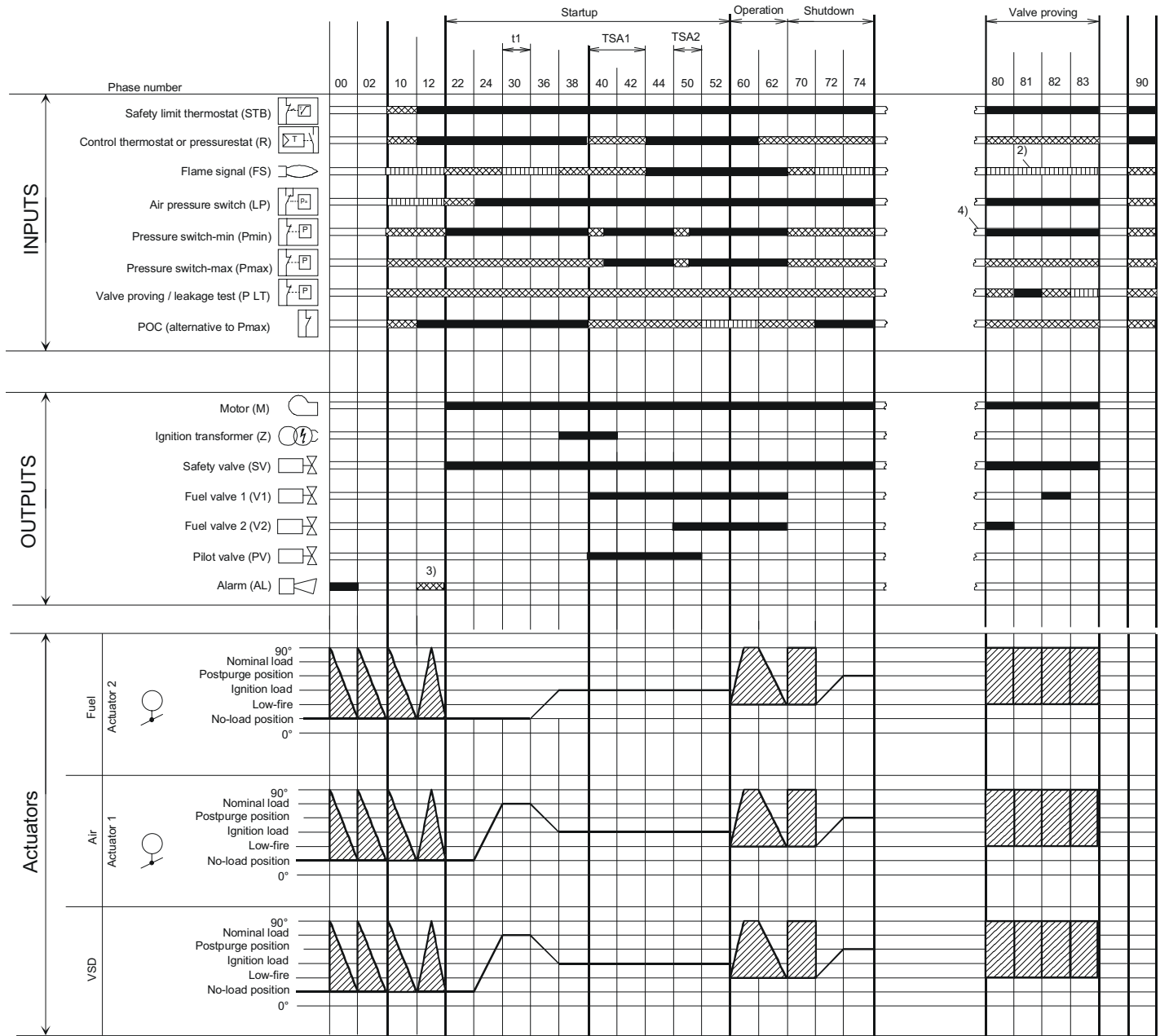
It is important to achieve practically disturbance- and loss-free signal transmission:

- Never run the detector cable together with other cables.
 - Line capacitance reduces the magnitude of the flame signal.
 - Use a separate cable.
- Observe the maximum permissible detector cable lengths.
- The ionization probe is not protected against electric shock hazard. It is mainspowered and must be protected against accidental contact.
- Locate the ignition electrode and the ionization probe such that the ignition spark cannot arc over to the ionization probe (risk of electrical overloads).

Technical data

| | | |
|-------------------------------|--|---|
| LMV37.4... basic unit | Mains voltage | AC 120 V -15 % / +10 % |
| | Mains frequency | 50 / 60 Hz \pm 6 % |
| | Power consumption | < 30 W (typically) |
| | Safety class | I, with parts according to II and III to DIN EN 60730-1 |
| Terminal loading 'Inputs' | Unit fuse F1 (internally) | 6.3 AT |
| | Perm. mains primary fuse (externally) | Max. 16 AT |
| | Undervoltage | |
| | <ul style="list-style-type: none"> • Safety shutdown from operating position at mains voltage • Restart on rise in mains voltage | Approx. AC 93 V Approx. AC 96 V |
| Terminal loading 'Outputs' | Total contact loading: | |
| | <ul style="list-style-type: none"> • Nominal voltage • Unit input current (safety loop) from: <ul style="list-style-type: none"> - Fan motor contactor - Ignition transformer - Valves - Oil pump / magnetic clutch | AC 120 V, 50 / 60 Hz Max. 5 A |
| | Individual contact loading: | |
| | Fan motor contactor | |
| | <ul style="list-style-type: none"> • Nominal voltage • Nominal current • Power factor | AC 120 V, 50 / 60 Hz 1.6 A pilot duty load declaration to UL372 $\cos\phi > 0.4$ |
| | Alarm output | |
| | <ul style="list-style-type: none"> • Nominal voltage • Nominal current • Power factor | AC 120 V, 50 / 60 Hz 1 A $\cos\phi > 0.4$ |
| | Ignition transformer | |
| | <ul style="list-style-type: none"> • Nominal voltage • Nominal current • Power factor | AC 120 V, 50 / 60 Hz 1.6 A pilot duty load declaration to UL372 or 250 VA ignition load declaration to UL372 $\cos\phi > 0.2$ |
| | Fuel valves | |
| | <ul style="list-style-type: none"> • Nominal voltage • Nominal current • Power factor | AC 120 V, 50 / 60 Hz 1.6 A pilot duty load declaration to UL372 $\cos\phi > 0.4$ |
| | Operation display | |
| | <ul style="list-style-type: none"> • Nominal voltage • Nominal current • Power factor | AC 120 V, 50 / 60 Hz 0.5 A $\cos\phi > 0.4$ |
| Cable lengths | Mains line | Max. 100 m (100 pF/m) |
| | Display, BCI | For used outside the burner cover or the control panel: Max. 3 m (100 pF/m) |
| | External lockout reset button | Max. 20 m (100 pF/m) |
| Environmental conditions | Operation | DIN EN 60721-3-3 |
| | Climatic conditions | Class 3K3 |
| | Mechanical conditions | Class 3M3 |
| | Temperature range | -20...+60 °C |
| | Humidity | < 95 % r.h. |

Operation sequence of the burner






D9288

Fig.

Legend to the sequence diagrams:

Valve proving takes place depending on the parameter:

- 2) Only with valve proving on startup
 - 3) Parameter: with/without alarm in the event of start prevention
 - 4) In the event of an erroneous signal on startup, followed by phase 10, otherwise phase 70
- 0° Position as supplied (0°)
 90° Actuator fully open (90°)

-  Signal ON
-  Signal OFF
-  Any signal is allowed



In standby: after referencing, the actuator is driven to the no-load position

Assignment of times:

- t1** Pre-purge time
- TSA1** Safety time 1 gas / oil
- TSA2** Safety time 2 gas / oil

3.10 Actuators (SQM33.5...)

Warning notes



WARNING

To avoid injury to persons, damage to property or the environment, the following warning notes should be observed!

Do not open, interfere with or modify the actuators!

- All activities (mounting, installation and service work, etc.) must be performed by qualified staff.
- Before making any wiring changes in the connection area of the units, completely isolate the equipment from mains supply (all-polar disconnection). If not observed, there is a risk of electric shock hazard.
- Ensure protection against electric shock hazard by providing adequate protection for the connection terminals and by securing the housing cover.
- After any kind of activity (mounting, installation and service work, etc.), check wiring.
Also ensure that the parameters are correctly set.
- Fall or shock can adversely affect the safety functions. Such units must not be put into operation, even if they do not exhibit any damage.



WARNING

The actuator's housing must not be opened. The actuator contains an optical feedback system.

Use

The actuators (Fig. 8) are used to drive and position the air damper and the gas butterfly valve, without mechanical leverages but via the interposition of an elastic coupling.

They are commanded by the control box, which constantly checks their position by means of a return signal from the optic sensor inside the actuator.

The position (in degrees) of the actuators can be seen on the display of the Operator Panel.

Index "0" for fuel actuator, index "1" for air actuator.

Installation notes

- Always run the high-voltage ignition cables separate from the unit and other cables while observing the greatest possible distance.
- The holding torque is reduced when the actuator is disconnected from power.



WARNING

When servicing or replacing the actuators, take care not to invert the connectors.

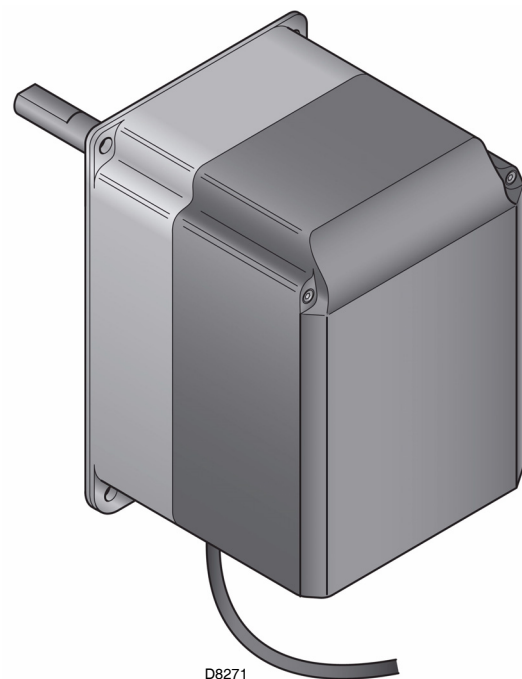


Fig. 8

Technical data

| | |
|----------------------------|---|
| Operating voltage | AC / DC 24 V ±20 % (load on interface) |
| Safety class | 2 to EN 60 730 part 1 and parts 2...14 |
| Power consumption | max. 10 W |
| Degree of protection | IP54 to EN 60 529-1 |
| Opening time 0 - 90° | min: 5s, max.: 120s (depending on the type of control box) |
| Firing rate | 0 - 90° |
| Cable connection | RAST2,5 connectors |
| Direction of rotation | Clockwise/anticlockwise (can be selected from the control box) |
| Nominal output torque | 3 Nm |
| Holding torque (when live) | 3 Nm |
| Holding torque (when dead) | 2.6 Nm |
| Weight | approx. 1 kg |
| Environmental conditions: | |
| Operation | DIN EN 60 721-3-3 |
| Climatic conditions | class 3K5 |
| Mechanical conditions | class 3M4 |
| Temperature range | -20...+60 °C |
| Humidity | < 95 % r.h. |

4

Installation

4.1 Notes on safety for the installation

After carefully cleaning all around the area where the burner will be installed, and arranging the correct lighting of the environment, proceed with the installation operations.



DANGER

All the installation, maintenance and disassembly operations must be carried out with the electricity supply disconnected.



WARNING

The installation of the burner must be carried out by qualified personnel, as indicated in this manual and in compliance with the standards and regulations of the laws in force.

4.2 Handling

The packaging of the burner includes a wooden platform, so it is possible to move the burner (still packaged) with a transpallet truck or fork lift truck.

With regard to the transport in the obligatory passages, refer to the overall dimensions shown in Fig. 2, page 9.



WARNING

The handling operations for the burner can be highly dangerous if not carried out with the greatest attention: keep any unauthorised people at a distance; check the integrity and suitability of the available means of handling.

Check also that the area in which you are working is empty and that there is an adequate escape area (i.e. a free, safe area to which you can quickly move if the burner should fall).

During the handling, keep the load at not more than 10" from the ground.



CAUTION

After positioning the burner near the installation point, correctly dispose of all residual packaging, separating the various types of material.

Before proceeding with the installation operations, carefully clean all around the area where the burner will be installed.

4.3 Preliminary checks

Checking the consignment



CAUTION

After removing all the packaging, check the integrity of the contents. In the event of doubt, do not use the burner; contact the supplier.



The packaging elements (wooden cage or cardboard box, nails, clips, plastic bags, etc.) must not be abandoned as they are potential sources of danger and pollution; they should be collected and disposed of in the appropriate places.



WARNING

The output of the burner must be within the boiler's firing rate;



WARNING

A burner label that has been tampered with, removed or is missing, along with anything else that prevents the definite identification of the burner makes any installation or maintenance work difficult.

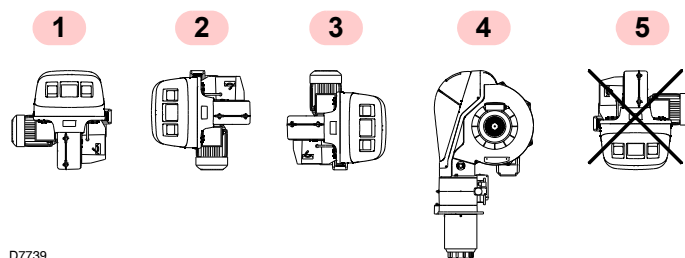
4.4 Operation position

The burner is designed to operate only in the positions **1**, **2**, **3** and **4** (Fig. 9).

Installation **1** is preferable, as it is the only one that allows the maintenance operations as described in this manual. Installations **2**, **3** and **4** permit operation but make maintenance and inspection of the combustion head more difficult.

Any other position could compromise the correct operation of the appliance.

Installation **5** is prohibited for safety reasons.



D7739

Fig. 9

4.5 Securing the burner to the boiler

4.5.1 Boring the boiler plate

Make holes in the plate shutting off the combustion chamber, as illustrated in Fig. 10.

The position of the threaded holes can be marked using the thermal insulation screen supplied with the burner.

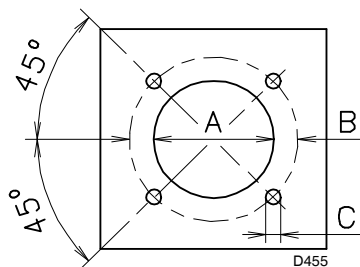


Fig. 10

| inch | A | B | C |
|----------|--------|-------------------|-------|
| RS 190/E | 9 1/16 | 12 25/32 - 14 1/2 | 5/8 W |
| RS 250/E | 9 1/16 | 12 25/32 - 14 1/2 | 5/8 W |

- For boilers with front flue passes 13) (Fig. 11) or flame inversion chambers, a protection in refractory material 11) must be inserted between the boiler refractory 12) and the blast tube 10). This protection must not compromise the extraction of the blast tube.
- For boilers with a water-cooled frontal, a refractory lining is not necessary 11)-12) (Fig. 11) unless expressly requested by the boiler manufacturer.

4.5.2 Boiler fixing

Secure the burner to the boiler, fixing the flange 9) (Fig. 11) to the boiler plate and interposing the insulating gasket 8).

Use the 4 screws supplied, with a tightening torque of 26-29 Lbf. ft, after protecting their thread with anti-seize products.

The seal between burner and boiler must be airtight.

After the start-up, check there is no leakage of flue gases into the external environment.

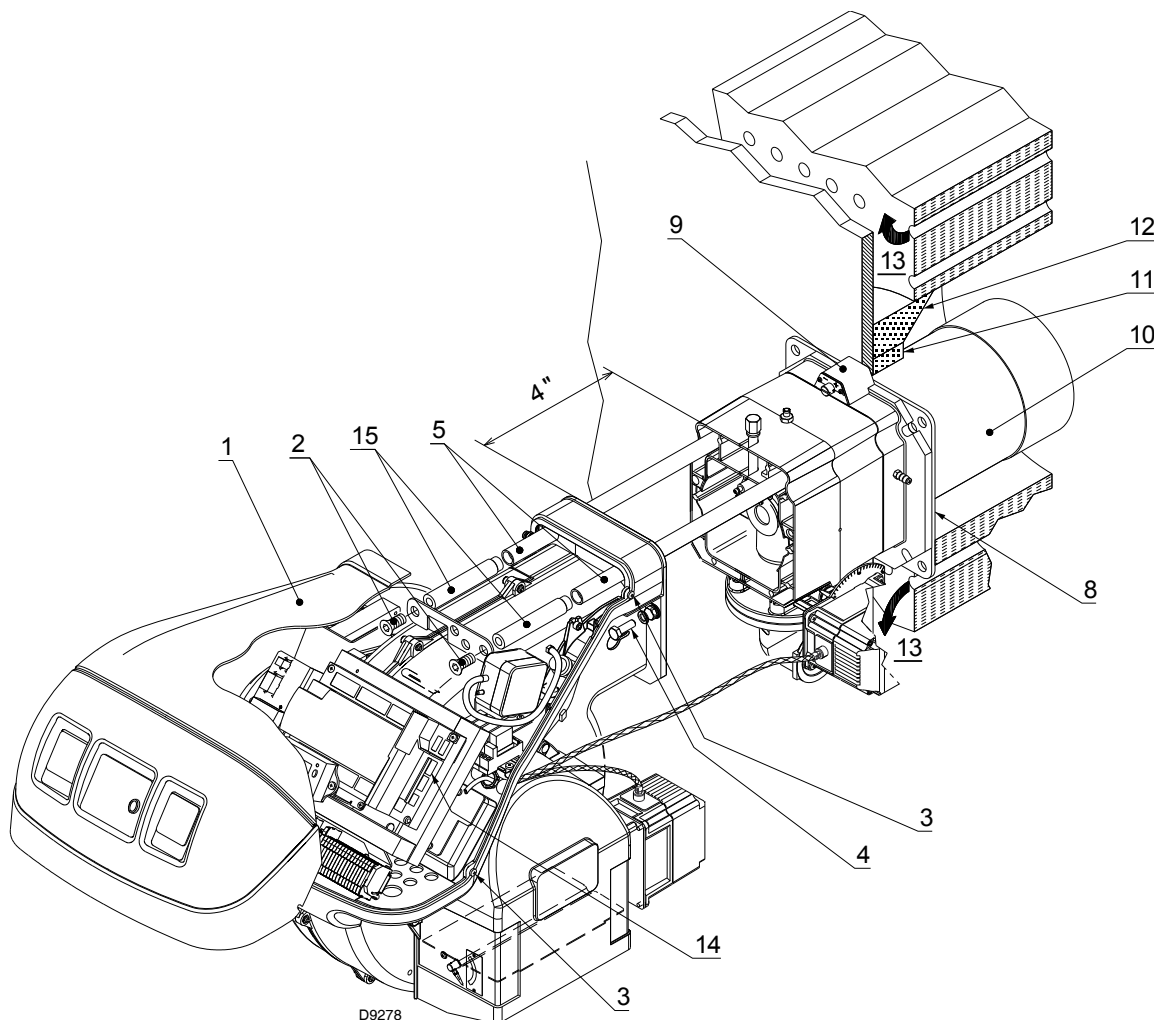


Fig. 11

4.6 Electrode positioning

To verify the correct position of the ignition electrode (Fig. 12), you need to separate the combustion head from the rest of the burner.



Measures must be respected.

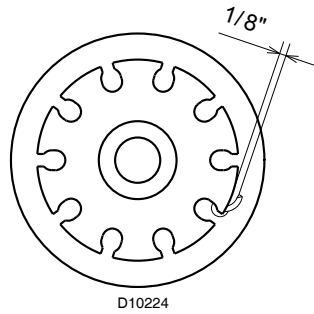
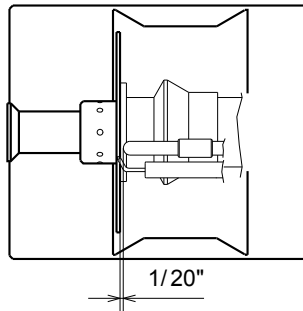


Fig. 12

Proceed as follows:

- loosen the 4 screws 3) (Fig. 11) and remove the hood 1);
- remove the screws 2) from the two guides 5);
- install the extensions 15) and re-screw the screws 2);
- remove the two screws 4);
- pull back the burner on the guides 5) of about 4";
- disconnect the electrode lead, then unthread the burner completely from the guides;
- remove the screw 1) (Fig. 13) and extract the inner part 2) of the head;
- check the correct position of ignition electrode, as shown in Fig. 12.
- Re-install all components with reverse procedure.

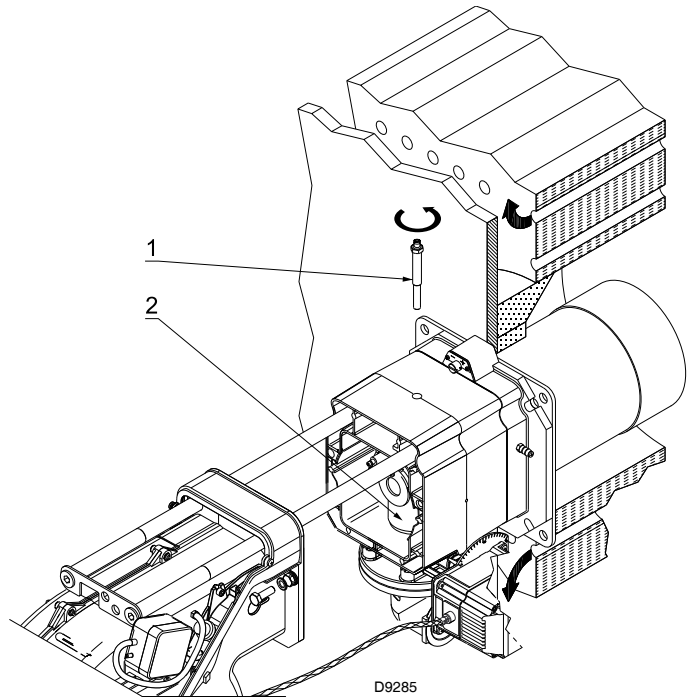


Fig. 13

4.7 Adjustment of the combustion head

At this point of the installation, the combustion head is fixed to the boiler as shown in Fig. 13.

It is therefore especially easy to adjust, and this adjustment depends only on the maximum output of the burner.

Two adjustments of the head are foreseen:

- air adjustment
- gas adjustment

In the diagram of Fig. 14, find the notch at which to adjust both air and central gas/air.

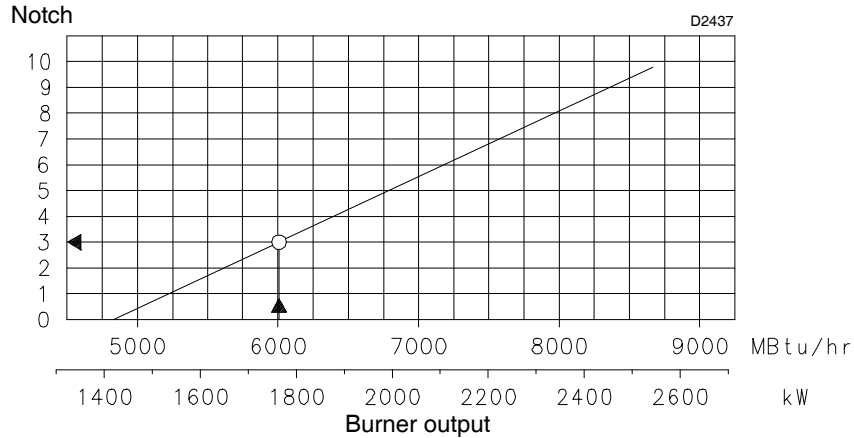


Fig. 14

4.7.1 Air adjustment

Rotate the screw 2) (Fig. 15) until the notch you have found corresponds with the front surface 1) of the flange.



To facilitate adjustment, loosen the screw 6) (Fig. 15), adjust and then lock.

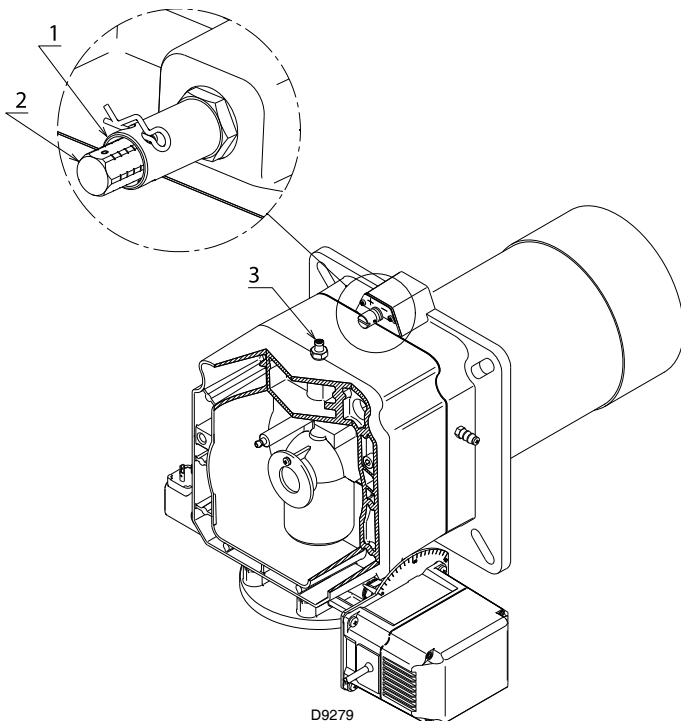


Fig. 15

4.7.2 Gas adjustment

When the burner is installed for maximum burner output ≤ 5680 MBtu/hr fit the discs 1) and 2) (Fig. 16), supplied as part of the standard equipment, removing the internal tube 3) (Fig. 16).

If the mains gas pressure is low, the head can be left in the standard set-up, limiting the modulation minimum to 1970 MBtu/hr.

Example:

Burner output = 6000 MBtu/hr

The diagram of Fig. 14 shows that the adjustments for this potential is external air R1 = notch 3.

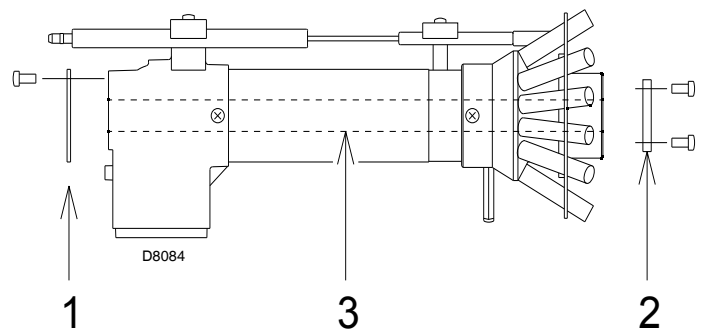


Fig. 16

NOTE:

The diagram indicates the optimum adjustment for a type of boiler according to Fig. 4.

The adjustments indicated can be modified during the initial start-up.

Once the combustion head adjustment is completed:

- reassemble the burner on the guides 3) at about 4" from the pipe coupling 4) - burner in the position shown in Fig. 11;
- insert the electrode cable, then slide the burner as far as the pipe coupling - burner in the position shown in Fig. 17;
- unscrew the 2 screws 2) from the extension 6) and reposition them as previously.
- refit the screws 2) on the guides 3);
- fix the burner to the pipe coupling with the screws 1).



When fitting the burner on the two guides, it is advisable to gently draw out the high voltage cable until it is slightly taut.

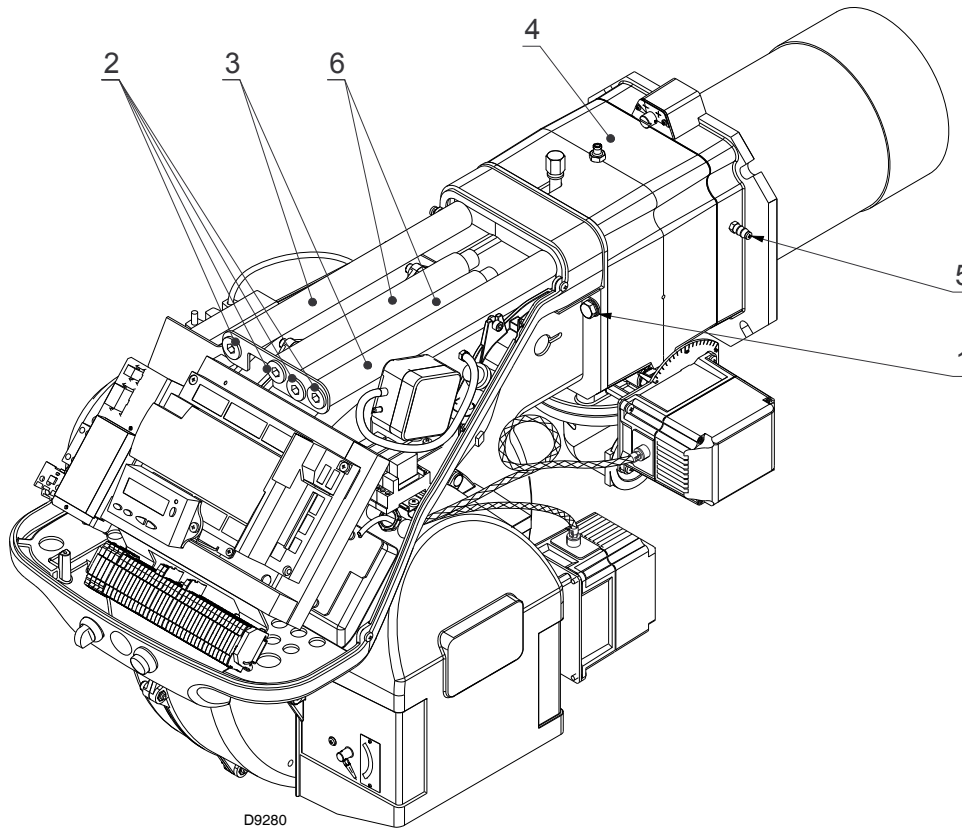


Fig. 17

4.8 Gas train assembly

- The gas train is type-approved according to standard UL 795 and is supplied separately from the burner.
- The gas train can enter the burner from the right or left side, depending on which is the most convenient, see Fig. 18.
- The gas train must be connected to the gas attachment 1) (Fig. 18) with the flange 2), the gasket 3) and the screws 4) supplied with the burner.
- The gas solenoids must be as close as possible to the burner, to ensure that the gas reaches the combustion head within the safety time of 3s.
- Ensure that the maximum pressure necessary for the burner is included in the calibration field of the pressure adjuster (colour of the spring).

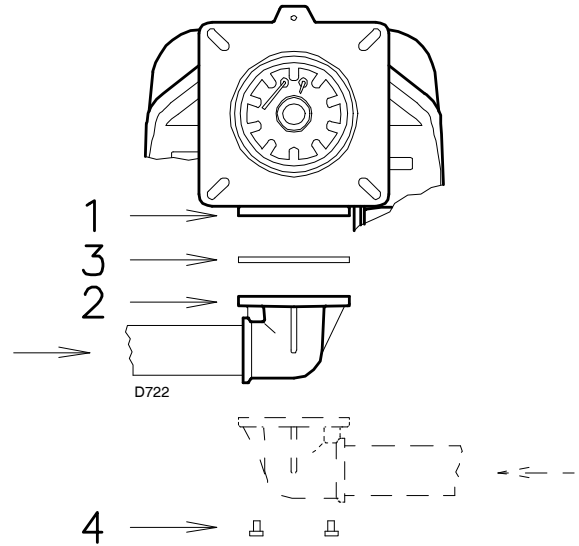


Fig. 18



See the accompanying instructions for the adjustment of the gas train.

WARNING

4.9 Gas feeding line

It must be type-approved according to required standards and is supplied separately from the burner.

KEY (Fig. 19)

- 1 Gas input pipe
- 2 Manual valve
- 3 Pressure regulator
- 4 Minimum gas pressure switch
- 5 1st safety shut off valve
- 6 2nd safety shut off valve
- 7 Standard issue burner with flange gasket
- 8 Gas adjustment butterfly valve (*)
- 9 Burner
- 10 Maximum gas pressure switch (*)

(*) On the burner

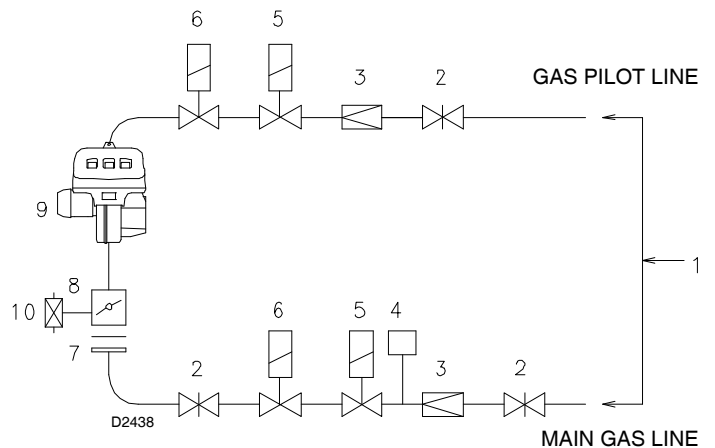
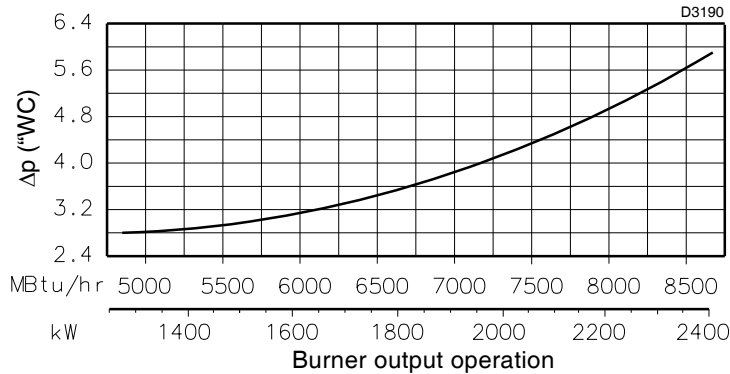


Fig. 19

4.10 Gas supply pressure

The diagram (Fig. 20) show minimum load losses at combustion head depending on the maximum burner output operation with natural gas (G 20).

RS 190/E



RS 250/E

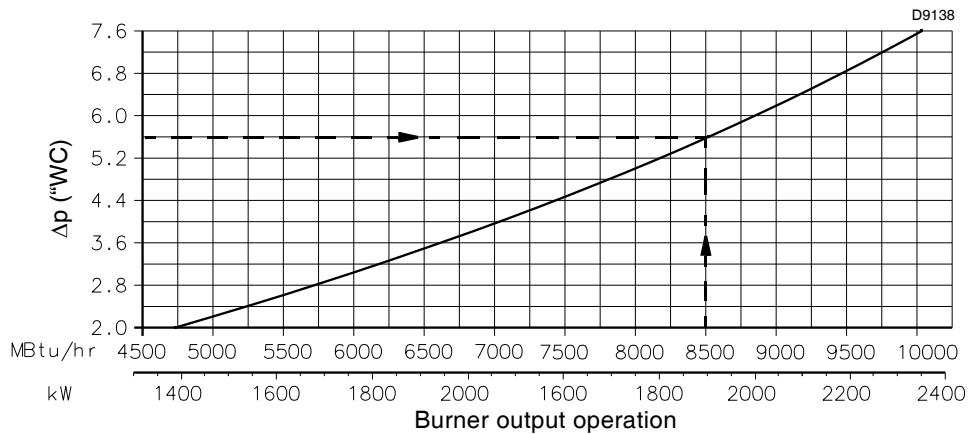


Fig. 20

Gas pressure is measured at the test point 1)(Fig. 21), with:

- Combustion chamber at 0 mbar
- Burner working at maximum output
- Ring nut 2) (Fig. 15) adjusted as in the diagram of Fig. 14

NOTE

To know the approximate output at which the burner is operating at its maximum:

- subtract the combustion chamber pressure from the gas pressure measured at test point 1)(Fig. 21);
- find, in the diagram (Fig. 20) the pressure value closest to the result you want;
- read the corresponding output on the left.

Example for RS 250/E

- Maximum output operation
 - Ring nut 2)(Fig. 15) adjusted as in the diagram of Fig. 14
 - Gas pressure at test point 1)(Fig. 21) = 6.8 "wc
 - Pressure in combustion chamber = 1.2 "wc
- $6.8 - 1.2 = 5.6$ "wc

A maximum output of 8,500 MBtu/hr corresponds to 5.6 "wc pressure.

This value serves as a rough guide; the effective output must be measured at the gas meter.

NOTE

To know the required gas pressure at test point 1) (Fig. 21), set the maximum output required from the burner operation, then:

- find the nearest output value in the table for the burner in question.

- read, on the diagram (Fig. 20), the socket pressure 1) (Fig. 21);
- add this value to the estimated pressure in the combustion chamber.

Example for RS 250/E

- Maximum output required: 8,500 MBtu/hr
 - Ring nut 2) (Fig. 15) adjusted as in the diagram of Fig. 14
 - Gas pressure at output of 8,500 MBtu/hr = 5.6 "wc
 - Pressure in combustion chamber = 1.2 "wc
- $5.6 + 1.2 = 6.8$ "wc
- pressure required at socket 1) (Fig. 21).

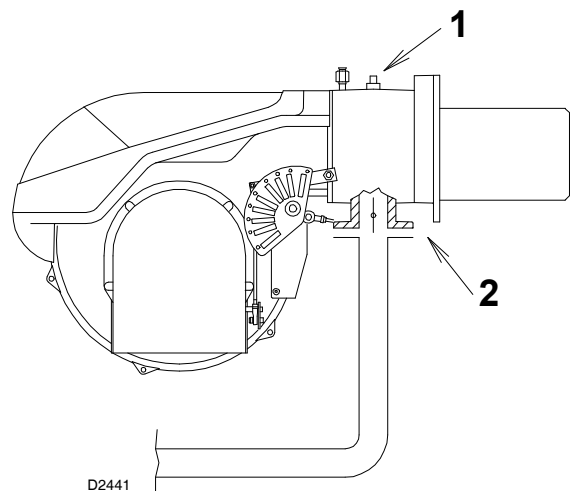


Fig. 21

PROCEDURE TO REFER BURNER OPERATING CONDITION IN HIGH ALTITUDE PLANTS

Find the **corrected burner capacity** for the plant's altitude in chart 1 and the **corrected pressure** in chart 2.

Check in the firing rate graph of the burner (page 5), if the working point defined by the values above is within the range limits.

If not, higher burner size is needed.

Note

Charts are based only on altitude variation (reference temperature = 68°F , 20°C)

To get the combined correction in case of different air temperature, a compensation of **1000 ft each 20°F (305 m each 11°C)** is applicable.

Example

Rated capacity = 6000 MBtu/hr - Rated air pressure = 1.5" w.c.

Real altitude = 5000 ft - Real temperature = 108°F

$\Delta = 108^\circ\text{F} - 68^\circ\text{F}$ (reference temp.) = 40°F (equivalent 2000 ft variation)

Proceeding as described above and considering a "virtual altitude" of (5000 + 2000) ft

- the corrected capacity is 7694 MBtu/hr

- the corrected burner air pressure is 1.92

Reference conditions (Charts 1-2):

- Ambient temperature 68 °F (20 °C)
- Barometric pressure 394" WC (1000 mbar)
- Altitude 328 ft a.s.l. (100 m a.s.l.).

1 CORRECTED BURNER CAPACITY ACCORDING TO ALTITUDE

| Rated Capacity | Altitude | | | | | | | | | | |
|---|-----------|------|-------|-------|-------|-------|-------|-------|--------|-------|-------|
| | m. a.s.l. | 0 | 100 | 305 | 610 | 915 | 1220 | 1525 | 1830 | 2135 | 2440 |
| | ft a.s.l. | 0 | 328 | 1000 | 2000 | 3000 | 4000 | 5000 | 6000 | 7000 | 8000 |
| 500 | | 494 | 500 | 512 | 530 | 551 | 571 | 593 | 616 | 641 | 669 |
| 1000 | | 987 | 1000 | 1023 | 1061 | 1101 | 1142 | 1186 | 1232 | 1282 | 1337 |
| 1500 | | 1481 | 1500 | 1535 | 1591 | 1652 | 1713 | 1778 | 1848 | 1924 | 2006 |
| 2000 | | 1974 | 2000 | 2046 | 2121 | 2202 | 2284 | 2371 | 2464 | 2565 | 2675 |
| 2500 | | 2468 | 2500 | 2558 | 2652 | 2753 | 2855 | 2964 | 3079 | 3206 | 3343 |
| 3000 | | 2962 | 3000 | 3069 | 3182 | 3303 | 3425 | 3557 | 3695 | 3847 | 4012 |
| 3500 | | 3455 | 3500 | 3581 | 3712 | 3854 | 3996 | 4149 | 4311 | 4488 | 4680 |
| 4000 | | 3949 | 4000 | 4092 | 4243 | 4404 | 4567 | 4742 | 4927 | 5130 | 5349 |
| 4500 | | 4442 | 4500 | 4604 | 4773 | 4955 | 5138 | 5335 | 5543 | 5771 | 6018 |
| 5000 | | 4936 | 5000 | 5116 | 5303 | 5505 | 5709 | 5928 | 6159 | 6412 | 6686 |
| 5500 | | 5429 | 5500 | 5627 | 5834 | 6056 | 6280 | 6520 | 6775 | 7053 | 7355 |
| 6000 | | 5923 | 6000 | 6139 | 6364 | 6606 | 6851 | 7113 | 7391 | 7694 | 8024 |
| 6500 | | 6417 | 6500 | 6650 | 6894 | 7157 | 7422 | 7706 | 8006 | 8335 | 8692 |
| 7000 | | 6910 | 7000 | 7162 | 7425 | 7708 | 7993 | 8299 | 8622 | 8977 | 9361 |
| 7500 | | 7404 | 7500 | 7673 | 7955 | 8258 | 8564 | 8892 | 9238 | 9618 | 10029 |
| 8000 | | 7897 | 8000 | 8185 | 8485 | 8809 | 9135 | 9484 | 9854 | 10259 | 10698 |
| 8500 | | 8391 | 8500 | 8697 | 9016 | 9359 | 9705 | 10077 | 10470 | 10900 | 11367 |
| 9000 | | 8885 | 9000 | 9208 | 9546 | 9910 | 10276 | 10670 | 11086 | 11541 | 12035 |
| 9500 | | 9378 | 9500 | 9720 | 10076 | 10460 | 10847 | 11263 | 11702 | 12183 | 12704 |
| 10000 | | 9872 | 10000 | 10231 | 10607 | 11011 | 11418 | 11855 | 12318 | 12824 | 13373 |
| Average barometric Pressure (20×C) | mbar | 1013 | 1000 | 977.4 | 942.8 | 908.2 | 875.8 | 843.5 | 811.85 | 779.8 | 747.8 |
| Average barometric Pressure (68×F) | "w.c. | 399 | 394 | 385 | 371 | 358 | 345 | 332 | 320 | 307 | 294 |

2
CORRECTED BURNER AIR PRESSURE ACCORDING TO ALTITUDE

| Rated Pressure | Altitude | | | | | | | | | | |
|---|-----------|------|-------|-------|-------|-------|-------|-------|--------|-------|-------|
| | m. a.s.l. | 0 | 100 | 305 | 610 | 915 | 1220 | 1525 | 1830 | 2135 | 2440 |
| | ft a.s.l | 0 | 328 | 1000 | 2000 | 3000 | 4000 | 5000 | 6000 | 7000 | 8000 |
| 0.50 | | 0.49 | 0.50 | 0.51 | 0.53 | 0.55 | 0.57 | 0.59 | 0.62 | 0.64 | 0.67 |
| 1.00 | | 0.99 | 1.00 | 1.02 | 1.06 | 1.10 | 1.14 | 1.19 | 1.23 | 1.28 | 1.34 |
| 1.50 | | 1.48 | 1.50 | 1.53 | 1.59 | 1.65 | 1.71 | 1.78 | 1.85 | 1.92 | 2.01 |
| 2.00 | | 1.97 | 2.00 | 2.05 | 2.12 | 2.20 | 2.28 | 2.37 | 2.46 | 2.56 | 2.67 |
| 2.50 | | 2.47 | 2.50 | 2.56 | 2.65 | 2.75 | 2.85 | 2.96 | 3.08 | 3.21 | 3.34 |
| 3.00 | | 2.96 | 3.00 | 3.07 | 3.18 | 3.30 | 3.43 | 3.56 | 3.70 | 3.85 | 4.01 |
| 3.50 | | 3.46 | 3.50 | 3.58 | 3.71 | 3.85 | 4.00 | 4.15 | 4.31 | 4.49 | 4.68 |
| 4.00 | | 3.95 | 4.00 | 4.09 | 4.24 | 4.40 | 4.57 | 4.74 | 4.93 | 5.13 | 5.35 |
| 4.50 | | 4.44 | 4.50 | 4.60 | 4.77 | 4.95 | 5.14 | 5.33 | 5.54 | 5.77 | 6.02 |
| 5.00 | | 4.94 | 5.00 | 5.12 | 5.30 | 5.51 | 5.71 | 5.93 | 6.16 | 6.41 | 6.69 |
| 5.50 | | 5.43 | 5.50 | 5.63 | 5.83 | 6.06 | 6.28 | 6.52 | 6.77 | 7.05 | 7.35 |
| 6.00 | | 5.92 | 6.00 | 6.14 | 6.36 | 6.61 | 6.85 | 7.11 | 7.39 | 7.69 | 8.02 |
| 6.50 | | 6.42 | 6.50 | 6.65 | 6.89 | 7.16 | 7.42 | 7.71 | 8.01 | 8.34 | 8.69 |
| 7.00 | | 6.91 | 7.00 | 7.16 | 7.42 | 7.71 | 7.99 | 8.30 | 8.62 | 8.98 | 9.36 |
| 7.50 | | 7.40 | 7.50 | 7.67 | 7.96 | 8.26 | 8.56 | 8.89 | 9.24 | 9.62 | 10.03 |
| 8.00 | | 7.90 | 8.00 | 8.18 | 8.49 | 8.81 | 9.13 | 9.48 | 9.85 | 10.26 | 10.70 |
| 8.50 | | 8.39 | 8.50 | 8.70 | 9.02 | 9.36 | 9.71 | 10.08 | 10.47 | 10.90 | 11.37 |
| 9.00 | | 8.88 | 9.00 | 9.21 | 9.55 | 9.91 | 10.28 | 10.67 | 11.09 | 11.54 | 12.04 |
| 9.50 | | 9.38 | 9.50 | 9.72 | 10.08 | 10.46 | 10.85 | 11.26 | 11.70 | 12.18 | 12.70 |
| 10.00 | | 9.87 | 10.00 | 10.23 | 10.61 | 11.01 | 11.42 | 11.86 | 12.32 | 12.82 | 13.37 |
| Average barometric Pressure (20×C) | mbar | 1013 | 1000 | 977.4 | 942.8 | 908.2 | 875.8 | 843.5 | 811.85 | 779.8 | 747.8 |
| Average barometric Pressure (68×F) | "w.c. | 399 | 394 | 385 | 371 | 358 | 345 | 332 | 320 | 307 | 294 |

4.11 Electrical wiring

4.11.1 Notes on safety for the electrical wiring



- The electrical wiring must be carried out with the electrical supply disconnected.
- Electrical wiring must be carried out by qualified personnel and in compliance with the regulations currently in force in the country of destination.
Refer to the electrical layouts given in Appendix A.
- **RIELLO** declines all responsibility for modifications or connections different from those shown in the electrical layouts.
- Check that the electrical supply of the burner corresponds to that shown on the identification label and in this manual.
- Do not invert the neutral with the phase in the electrical supply line.
Any inversion would cause a lockout due to firing failure.
- The electrical safety of the device is obtained only when it is correctly connected to an efficient earthing system, made according to current standards.
It is necessary to check this fundamental safety requirement. In the event of doubt, have the electrical system checked by qualified personnel.
Do not use the gas tubes as an earthing system for electrical devices.
- The electrical system must be suitable for the maximum input power of the device, as indicated on the label and in the manual, checking in particular that the section of the cables is suitable for the input power of the device.
- For the main power supply of the device from the electricity mains:
 - - do not use adapters, multiple sockets or extensions;
 - - use an omnipolar switch with an opening of at least 1/8" (overvoltage category) between the contacts, as indicated by the current safety standards.
- Do not touch the device with wet or damp body parts and/or in bare feet.
- Do not pull the electric cables.

If the hood is still present, remove it and proceed with the electrical wiring according to the layouts shown in Appendix A.

All the cables to be connected to the burner are fed through the grommets. See Fig. on the right.

The use of the cable grommets can take various forms.

By way of example we indicate the following mode (according to **UL795**):

- 1 Three phase power supply with 3/4 inch cable grommet.
- 2 Single phase power supply 1/2 inch cable grommet.
- 3 Available:
Consents/safety, minimum gas pressure switch, gas valves and other devices with 3/8 inch cable grommet.

Cable grommets used in the factory:

- A Fan motor
- B Maximum gas pressure switch
- C Gas actuator
- D Air actuator
- E UV Sensor

The control panel is in compliance with UL508A.

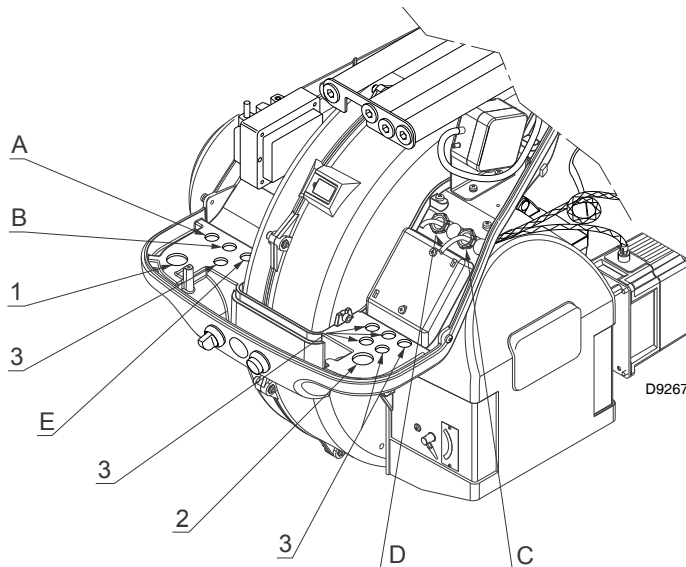


Fig. 22

4.11.2 Calibration of the thermal relay

The thermal relay (Fig. 23) is used to avoid damage to the motor owing to a strong increase in absorption or the lack of a phase.

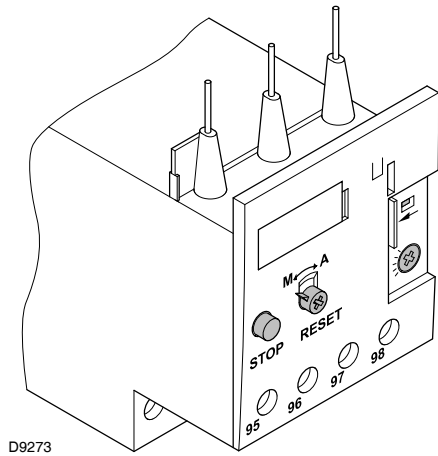


Fig. 23

For the calibration, refer to the table given in electrical layout no. 7 in Appendix A.

If the minimum value of the scale of the thermal relay is greater than the rating absorption of the motor, protection is still ensured. This arises when the power supply of the motor is 400V.

To reset, in the case of an intervention of the thermal relay, press the button “RESET” (Fig. 23).

The button “STOP” (Fig. 23) opens the NC (95-96) contact and stops the motor.

To test the thermal relay, insert a screwdriver in the window “TEST” (Fig. 24) and move it in the sense of the arrow (towards right).



Automatic resetting can be dangerous.

This action is not provided for the burner operation.

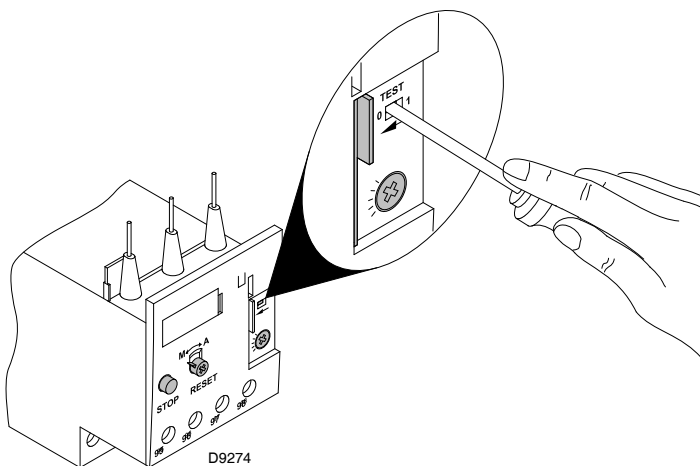


Fig. 24

4.12 Motor connection at 208-230 or 460V

WARNING:

the motors, manufactured for 208-230/460 **IE2/Epact** voltage, have a different connection than **IE1** motors, no more star/delta but star/double star.

Please, pay attention to the indications in case of modification of voltage, maintenance, or substitution.

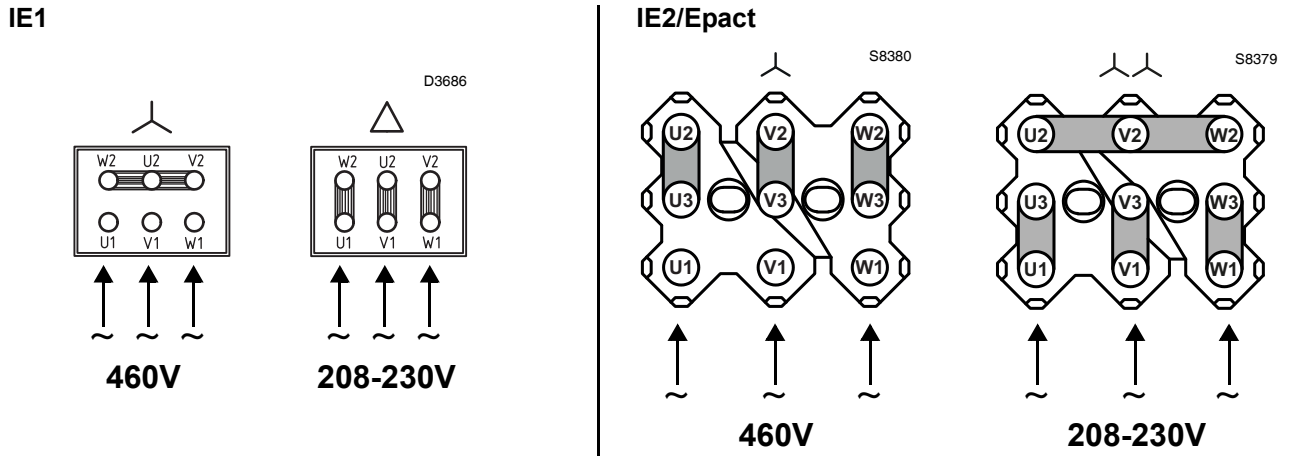


Fig. 25

4.13 Motor connection at 575V

WARNING:

the motors, manufactured for 575V **IE2/Epact** voltage, have the same control box base of the IE1 motors. Please pay attention to the indications in case of maintenance or substitution.

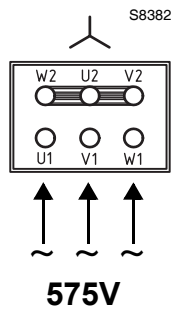


Fig. 26

4.14 Reversible direction

WARNING:

If it is necessary to reverse the direction then reverse the two main supply phases.

For example: L1 with L2, there is not difference between **IE1** and **IE2/Epact**.

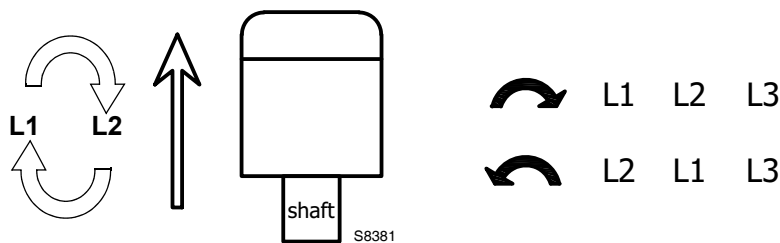


Fig. 27

5

Start-up, calibration and operation of the burner

5.1 Notes on safety for the first start-up



The first start-up of the burner must be carried out by qualified personnel, as indicated in this manual and in compliance with the standards and regulations of the laws in force.



Check the correct working of the adjustment, command and safety devices.

5.2 Operations before start-up

- Ensure that the gas supply company has carried out the supply line vent operations, eliminating air or inert gases from the piping.
- Slowly open the manual valves situated upstream of the gas train.
- Adjust the minimum gas pressure (Fig. 28) switch to the start of the scale.

- Adjust the air pressure switch (Fig. 30) to the start of the scale.

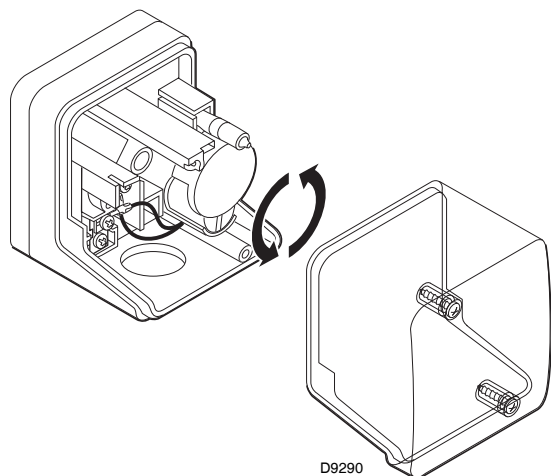


Fig. 28

- Adjust the maximum gas pressure switch (Fig. 29) to the end of the scale.

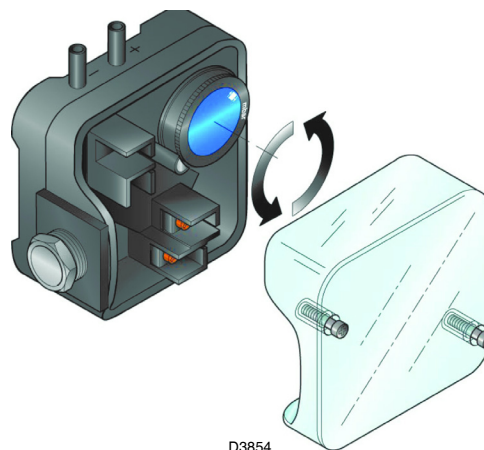


Fig. 30

- Purge the air from the gas line.
Fit a U-type manometer (Fig. 31) to the gas pressure test point on the sleeve.
The manometer readings are used to calculate the MAX. burner power using the diagram on page 22.

Before starting up the burner it is good practice to adjust the gas train so that ignition takes place in conditions of maximum safety, i.e. with gas delivery at the minimum.

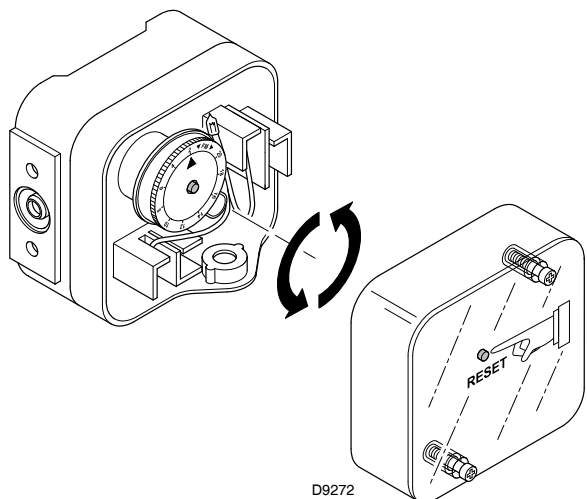


Fig. 29

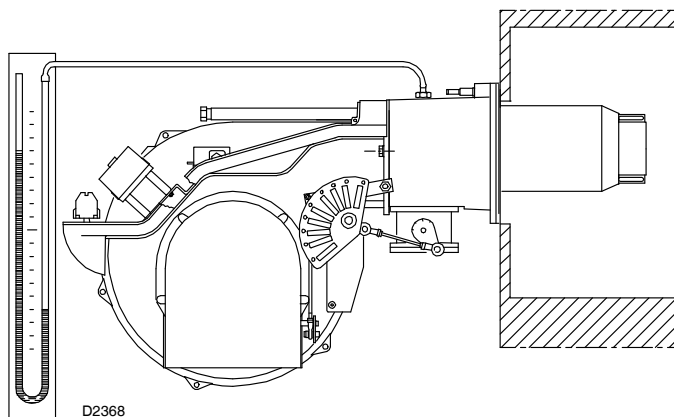


Fig. 31

5.3 Burner start-up

Feed electricity to the burner via the disconnecting switch on the boiler panel.

Close the thermostats/pressure switches and turn the switch of Fig. 32 to position “LOCAL”.



DANGER

Make sure that the lamps or testers connected to the solenoids, or indicator lights on the solenoids themselves, show that no voltage is present. If voltage is present, stop the burner **immediately** and check the electrical wiring.



WARNING

For the start-up procedure and the parameters calibration, refer to the specific instruction manual of the LMV37... electronic cam supplied with the burner.

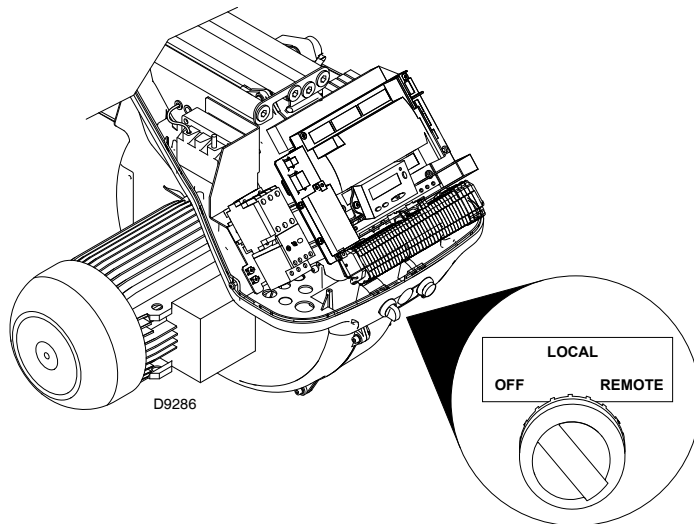


Fig. 32

5.4 Final calibration of the pressure switches

5.4.1 Air pressure switch

The air pressure switch is connected in differential (Fig. 33) and is activated by both the negative pressure of the air intake and the air pressure from the fan.

Adjust the air pressure switch (Fig. 30) after having performed all other burner adjustments with the air pressure switch set to the min. of the scale.

With the burner operating at low fire, adjust the pressure switch by slowly turning the relative knob clockwise until the burner locks out.

Then turn the knob counter-clockwise about 20% of the set point and start-up the burner again to ensure the set point is correct.

If the burner locks out again, turn the knob counter-clockwise a little bit more.

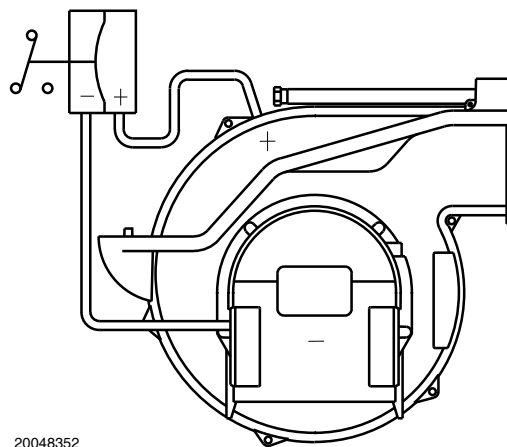


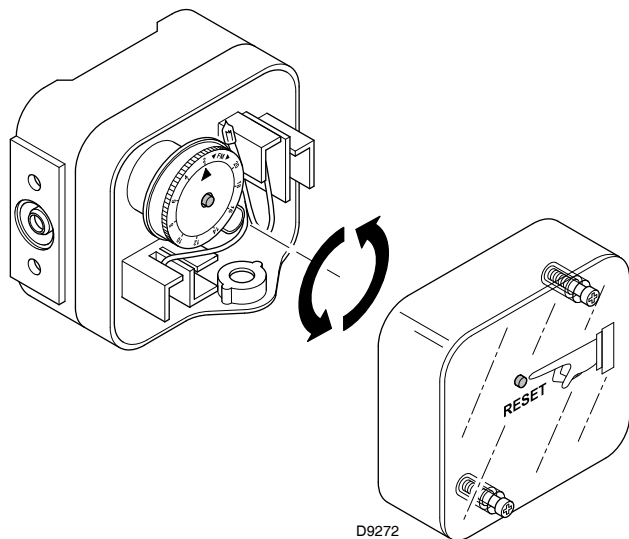
Fig. 33

5.4.2 Maximum gas pressure switch

Adjust the maximum gas pressure switch after having performed all other burner adjustments with the maximum gas pressure switch set to the end of the scale (Fig. 34).

With the burner operating at MAX output, reduce the adjustment pressure by slowly turning the adjustment dial anticlockwise until the burner locks out.

Then turn the dial clockwise by 0.8" WC and repeat burner firing. If the burner locks out again, turn the dial again clockwise by 0.4" WC.


Fig. 34

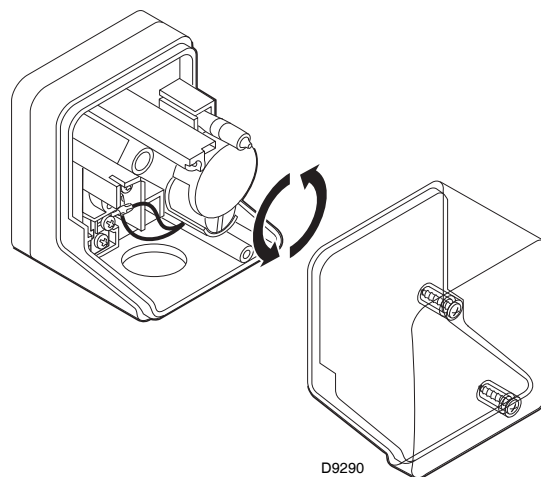
5.4.3 Minimum gas pressure switch

Adjust the minimum gas pressure switch after having performed all the other burner adjustments with the pressure switch set at the start of the scale (Fig. 35).

With the burner operating at MAX output, increase adjustment pressure by slowly turning the relative dial clockwise until the burner locks out.

Then turn the dial anti-clockwise by 0.8" WC and repeat burner starting to ensure it is uniform.

If the burner locks out again, turn the dial anti-clockwise again by 0.4" WC.


Fig. 35

5.5 Final checks (with the burner working)

- Open the thermostat/pressure switch TL:
- Open the thermostat/pressure switch TS:

The burner must stop

- Rotate the maximum gas pressure switch knob to the minimum end-of-scale position.
- Rotate the air pressure switch knob to the maximum end-of-scale position.

The burner must stop in lockout

- Switch off the burner and disconnect the voltage.
- Disconnect the minimum gas pressure switch connector.

The burner must not start

- Disconnect the UV flame sensor.

The burner must stop in lockout due to firing failure

- Make sure that the mechanical locking systems on the different adjustment devices are fully tightened.

6

Maintenance

6.1 Notes on safety for the maintenance

The periodic maintenance is essential for the good operation, safety, yield and duration of the burner.

It allows you to reduce consumption and polluting emissions and to keep the product in a reliable state over time.



DANGER

The maintenance interventions and the calibration of the burner must only be carried out by qualified, authorised personnel, in accordance with the contents of this manual and in compliance with the standards and regulations of current laws.

Before carrying out any maintenance, cleaning or checking operations:



DANGER

Disconnect the electricity supply from the burner by means of the main switch of the system.



DANGER

Close the fuel interception tap.

6.2 Maintenance programme

6.2.1 Maintenance frequency

The gas combustion system should be checked **at least once a year** by a representative of the manufacturer or another specialised technician.

6.2.2 Checking and cleaning

Combustion

The optimum calibration of the burner requires an analysis of the flue gases. Significant differences with respect to the previous measurements indicate the points where more care should be exercised during maintenance.

Gas leaks

Make sure there are no gas leaks on the conduit between the gas meter and the burner.

Gas filter

Replace the gas filter when it is dirty.

Flame inspection window

Clean the glass of the flame inspection window.

Combustion head

Open the burner and make sure that all the components of the combustion head are:

- undamaged
- not deformed due to high temperature
- free of ambient dirt or dust
- free of rusted materials
- adequately positioned

Make sure that the gas outlet holes for the start-up, on the combustion head distributor, are free of dirt or rust deposits.

In case of doubt, disassemble the elbow 5)(Fig. 36).

Combustion

Adjust the burner if the combustion values found at the beginning of the operation do not comply with the regulations in force or, at any rate, do not produce good combustion.

Use the appropriate card to record the new combustion values; they will be useful for subsequent controls.

6.3 Opening the burner



Disconnect the electrical supply from the burner.

In order to open the burner, proceed as follows:

- loosen the 4 screws 1) (Fig. 36) and remove the hood 2);
- install the 2 extensions 9) on the guides 4) and re-screw the screws 8);

- remove the screws 3) and pull back the burner on the guides 4) of about 4";
- disconnect the electrode lead, then unthread the burner completely from the guides;
- remove the screw 6) and extract the inner part 5) of the head.

6.4 Closing the burner

In order to close the burner, re-install all components with reverse procedure:

- remove the 2 extensions 9) and re-screw the screws 8) on the guides 4) ;
- push the burner up to approximately 4" from the pipe coupling;
- reinsert the electrode lead and slide the burner as far as the stop.
- fix the screws 3) to secure the burner to the combustion head;
- fix the 4 screws 1) to install the hood 2).



Connect the electrical supply from the burner.

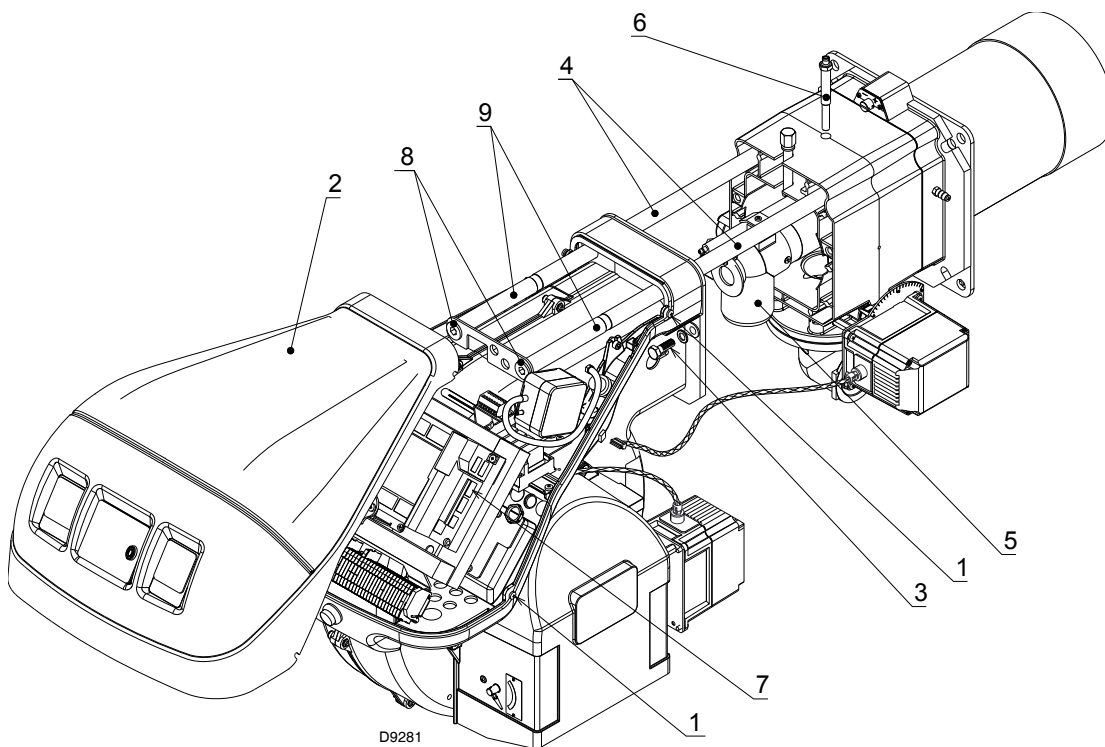
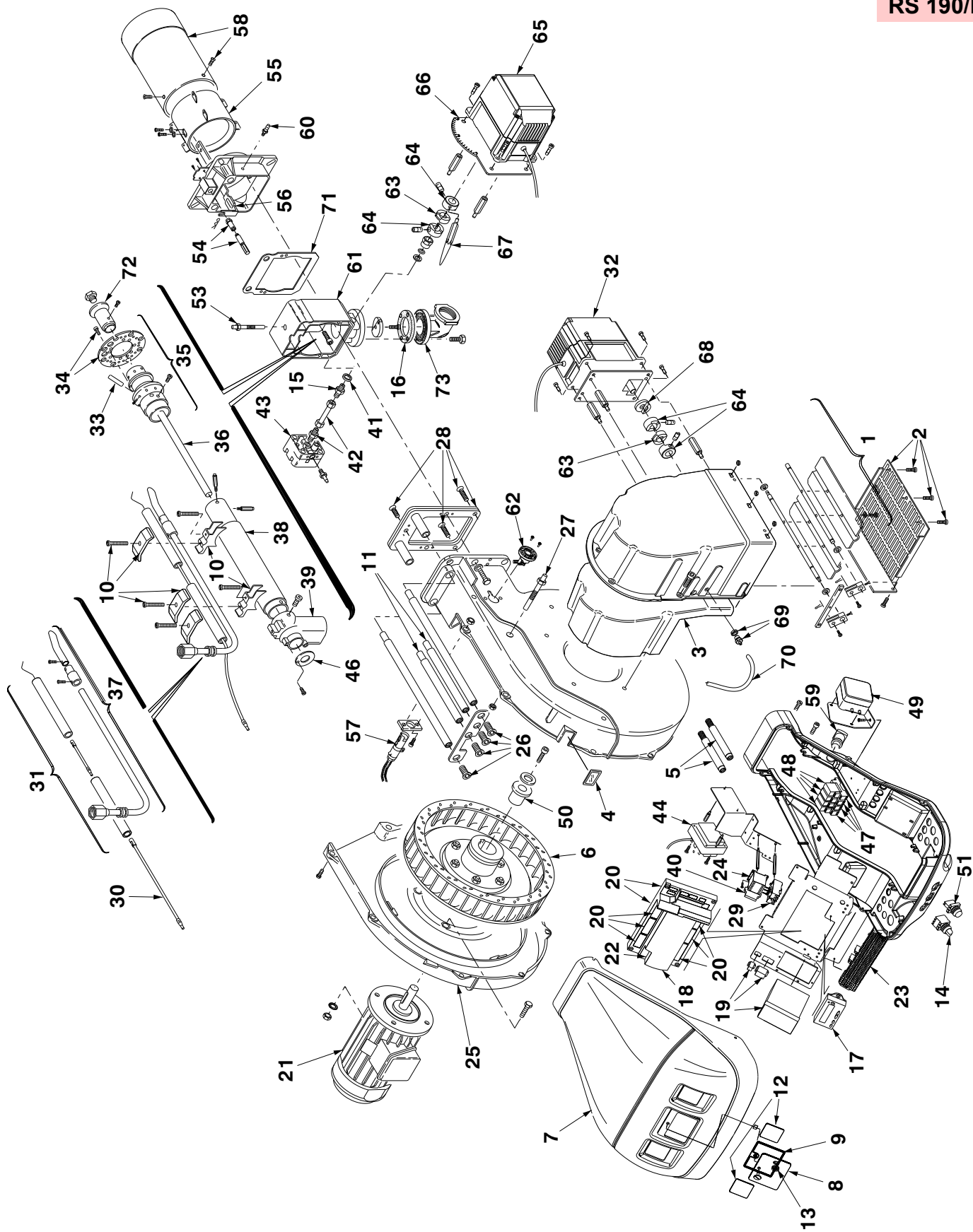


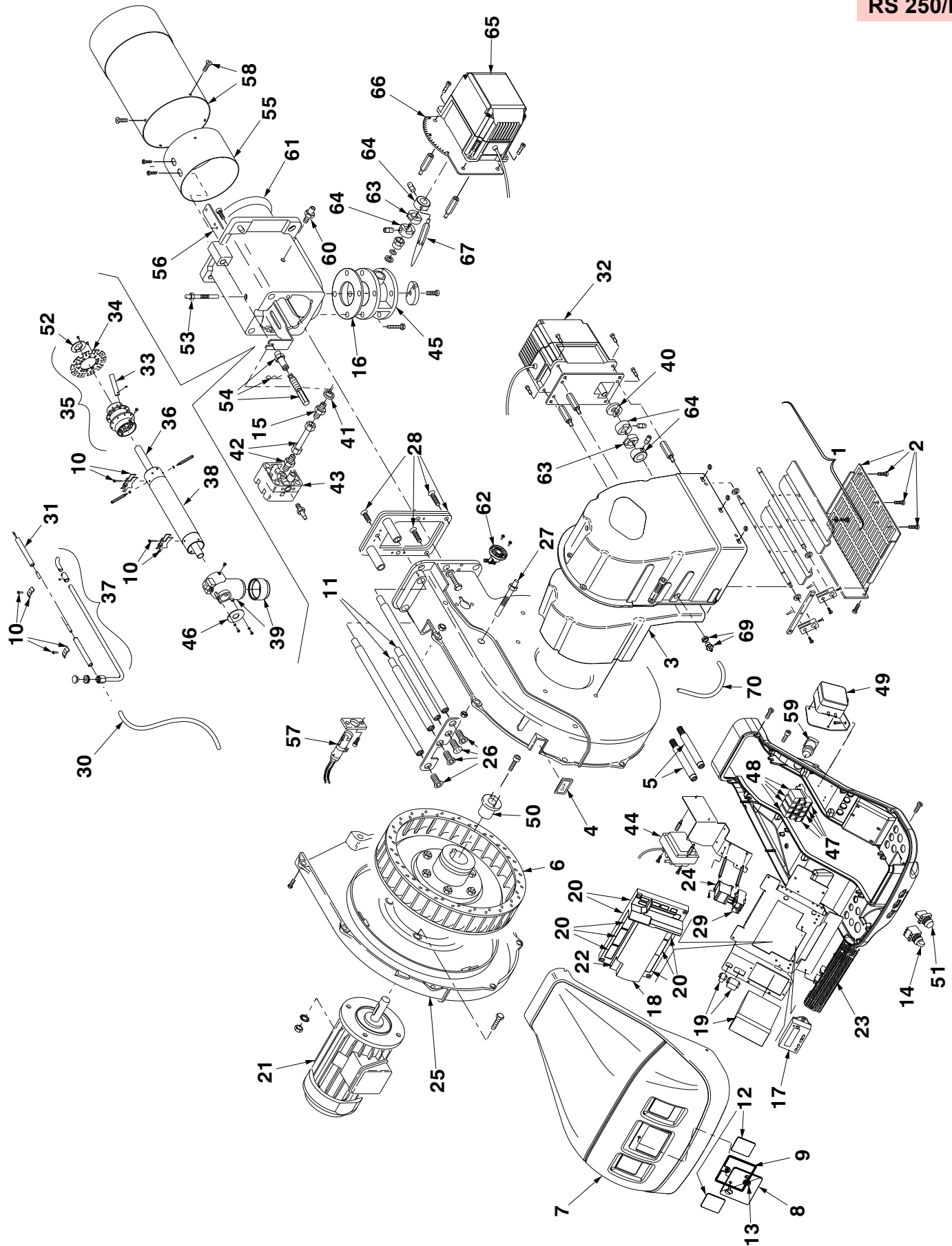
Fig. 36

A

Appendix - Spare parts

RS 190/E





| N. | RS 190/E | RS 250/E | CODE | DESCRIPTION | BURNER SERIAL NUMBER | * |
|----|----------|----------|----------|-----------------------|----------------------|---|
| 1 | • | • | 3014083 | AIR DAMPER ASSEMBLY | ≤ 02413xxxxxx | |
| 1 | • | • | 20073258 | AIR DAMPER ASSEMBLY | ≥ 02423xxxxxx | |
| 2 | • | • | 3013683 | GRID | | |
| 3 | • | • | 3013682 | SOUND DAMPING | | C |
| 4 | • | • | 3003763 | INSPECTION WINDOW | | |
| 5 | • | • | 3013687 | BAR EXTENSIONNS | | |
| 6 | • | • | 3012976 | FAN | | C |
| 7 | • | • | 20008587 | COVER | | |
| 8 | • | • | 3013922 | INSPECTION WINDOW | | |
| 9 | • | • | 3013924 | SEAL | | A |
| 10 | • | • | 3012966 | SUPPORT | | |
| 11 | • | • | 3013686 | BAR EXTENSION | | |
| 12 | • | • | 3013925 | VIEWING PORT | | |
| 13 | • | • | 3013923 | PUSH-BUTTON | | |
| 14 | • | • | 20010963 | SELECTOR | | |
| 15 | • | • | 3013095 | CONNECTOR | | C |
| 16 | • | • | 3005482 | SEAL | | B |
| 17 | • | • | 20010967 | AZL DISPLAY | | |
| 18 | • | • | 20010968 | ELECTRONIC CAM | | |
| 19 | • | • | 20010972 | RWF40 ASSEMBLY | | C |
| 20 | • | • | 20010971 | CONNECTORS ASSEMBLY | | |
| 21 | • | | 3012978 | MOTOR | | C |
| 21 | | • | 20008598 | MOTOR | | C |
| 22 | • | • | 3006211 | FUSE | | |
| 23 | • | • | 20010964 | TERMINAL BOARD | | |
| 24 | • | • | 20010965 | CONTACTOR | | C |
| 25 | • | • | 3003969 | HALF-SHELL | | |
| 26 | • | • | 3013681 | SCREW | | |
| 27 | • | • | 3003891 | CONNECTOR | | C |
| 28 | • | • | 3013685 | PLATES ASSEMBLY | | |
| 29 | • | • | 20010966 | OVERLOAD TERMAL RELAY | | C |
| 30 | • | • | 3012393 | ELECTRODE CONNECTION | | A |
| 31 | • | • | 3012980 | ELECTRODE | | A |
| 32 | • | • | 20010956 | AIR ACTUATOR UNIT | | A |
| 33 | • | • | 3012025 | TUBE | | |
| 34 | • | | 3012962 | DISC | | |
| 34 | | • | 20027310 | DISC | | |
| 35 | • | | 3012981 | GAS HEAD | | |
| 35 | | • | 20011348 | GAS HEAD | | |
| 36 | • | | 3012590 | INTERIOR TUBE | | |
| 36 | | • | 3013696 | INTERIOR TUBE | | |
| 37 | • | • | 3012983 | GAS PILOT | | |
| 38 | • | | 3012984 | EXTERIOR TUBE | | |
| 38 | | • | 20011350 | EXTERIOR TUBE | | |
| 39 | • | | 3012042 | ELBOW | | |

| N. | RS 190/E | RS 250/E | CODE | DESCRIPTION | BURNER SERIAL NUMBER | * |
|----|----------|----------|------------------|-----------------------|----------------------|---|
| 39 | | • | 3012637 | ELBOW | | |
| 40 | • | • | 3014079 | SPACER | | |
| 41 | • | • | 3007891 | SEAL | | B |
| 42 | • | • | 3013055 | TUBE | | C |
| 43 | • | • | 3012969 C5332011 | GAS PRESSURE SWITCH | | B |
| 44 | • | • | 3012956 | TRANSFORMER 1.7A 120V | | B |
| 45 | | • | 3013977 | GAS REGULATOR | | C |
| 46 | • | | 3012588 | FERRULE | | |
| 46 | | • | 3013693 | FERRULE | | |
| 47 | • | • | 3012841 | BASE | | B |
| 48 | • | • | 20010969 | RELAY 110V | | C |
| 49 | • | • | 3012948 | AIR PRESSURE SWITCH | | A |
| 50 | • | • | 3003643 | PLUG | | |
| 51 | • | • | 20010962 | BUTTON | | |
| 52 | | • | 3013694 | DISC | | |
| 53 | • | • | 3012049 | SCREW | | |
| 54 | • | • | 3012639 | CONTROL DEVICE | | C |
| 55 | • | • | 3012560 | SHUTTER | | C |
| 56 | | • | 3013698 | BRACKET | | |
| 57 | • | • | 3003396 C5360028 | UV FLAME SENSOR | | C |
| 58 | • | • | 3013699 | END CONE | | |
| 59 | • | • | 20010961 | ALARM | | A |
| 60 | • | • | 3003322 | CONNECTOR | | C |
| 61 | • | | 3013266 | MANIFOLD | | |
| 61 | | • | 20011351 | MANIFOLD | | |
| 62 | • | • | 3013976 | PLUG | | |
| 63 | • | • | 3013938 | DISC | | B |
| 64 | • | • | 3013937 | HUB | | B |
| 65 | • | • | 20010957 | GAS ACTUATOR UNIT | | B |
| 66 | • | • | 3014081 | BRACKET | | B |
| 67 | • | • | 3013939 | INDEX | | |
| 69 | • | | 3012604 | GAS NOZZLE | | |
| 70 | • | | 3012971 | FLANGE AND ELBOW | | |
| 71 | • | | 3013856 | SEAL | | |

*

ADVISED PARTS

- A = Spare parts for minimum fittings
- A+B = Spare parts for basic safety fittings
- A+B+C = Spare parts for extended safety fittings