

RS SERIES

BALANCED VALVE DESIGN

The RS Series' double diaphragm balanced valve design makes it possible to maintain steady outlet pressure control with widely varying inlet pressures. The regulator is physically small yet has exceptional capacity characteristics. RS Series regulators are intended for use with both main burner and pilot load applications. They are ideally suited for use with infrared heaters and pilot lines on large industrial heaters and boilers.

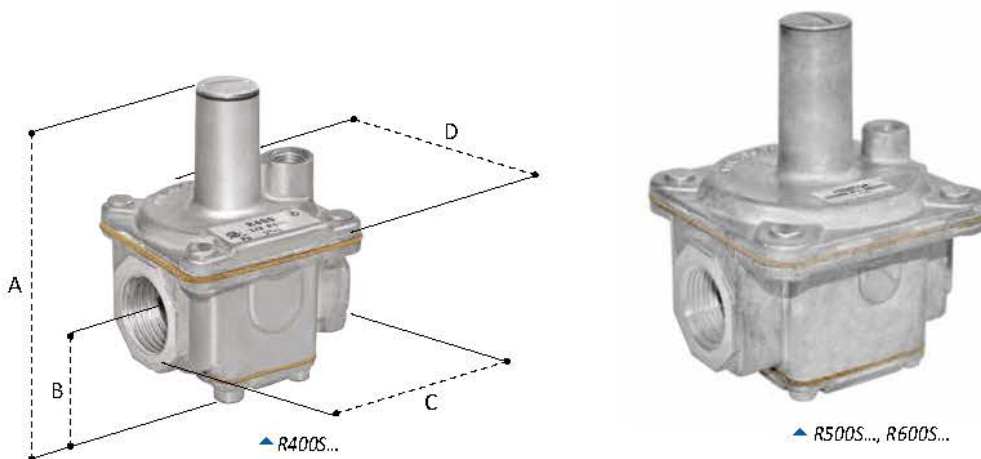
Specifications

- **Pipe Sizes:** Rp 3/8 to Rp 1 threaded connections according to ISO 7-1/EN10226-1
- **Housing Material:** Aluminum
- **Internal Components Material:** Steel, aluminum, brass, elastomer
- **Mounting:** Suitable for multi-positional mounting. Other than upright position will result in a slight difference in outlet pressure. If ball check vent limiting device is installed, mount in an upright position only. Install with gas flowing as indicated by the arrow on bottom casting.
- **Construction and Design/Certifications:** According to the Gas Appliances Regulation 2016/426/EU and EN 88-1
- **Gas Types:** Suitable for gases of EN 437 gas family 1, 2, and 3
- **Maximum Inlet Pressure:** 36 kPa
- **Ambient Temperature Range:** -15 °C to 80 °C
- **Capacities:** See flow chart, page 21

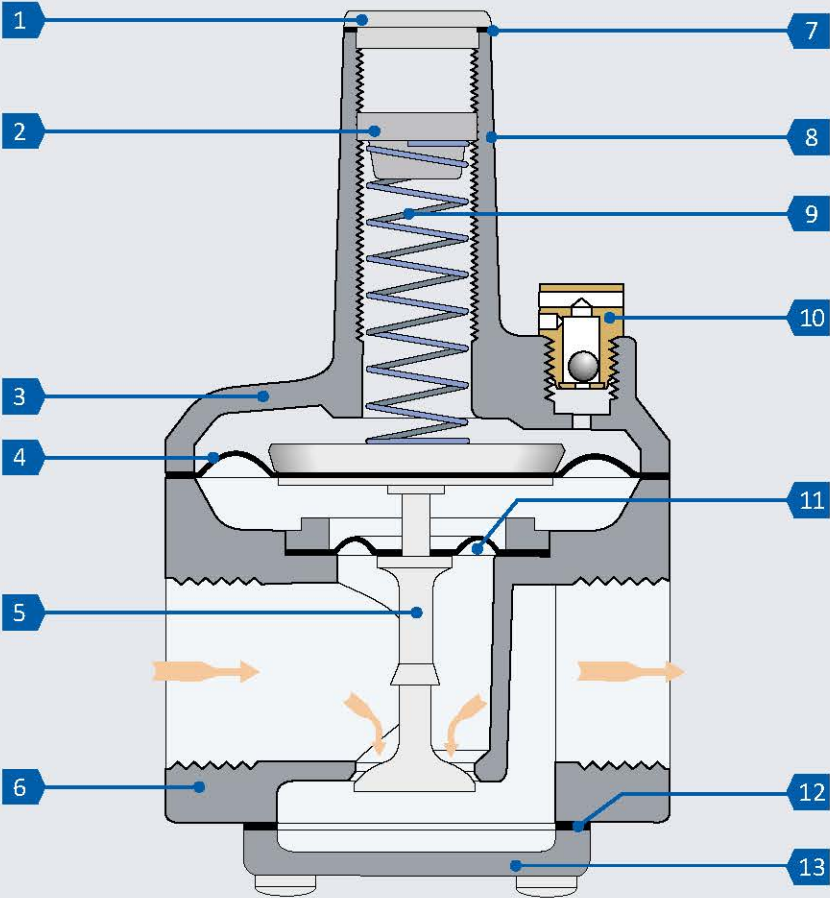
Dimensions

Model	Pipe Sizes	Swing Radius	Dimensions			
			A	B	C	D
R400S...	Rp 3/8, Rp 1/2	60 mm	83 mm	24 mm	51 mm	51 mm
R500S...	Rp 1/2, Rp 3/4	90 mm	119 mm	30 mm	79 mm	76 mm
R600S...	Rp 3/4, Rp 1	110 mm	145 mm	38 mm	99 mm	103 mm

NOTE: Dimensions are maximums and to be used only as an aid in designing clearance for the regulator. Actual production dimensions may vary somewhat from those shown.



Components



NOTE: Diagrams are graphical representations only and may differ from actual product.

- 1 Welch Plug/Seal Cap
- 2 Vibration Resistant Adjusting Screw
- 3 Top Housing
- 4 Regulating Diaphragm
- 5 Stem & Valve
- 6 Bottom Housing
- 7 Seal Cap Gasket
- 8 Stack
- 9 Spring
- 10 Vent Limiting Device
- 11 Balancing Diaphragm
- 12 Bottom Plate Gasket
- 13 Bottom Plate