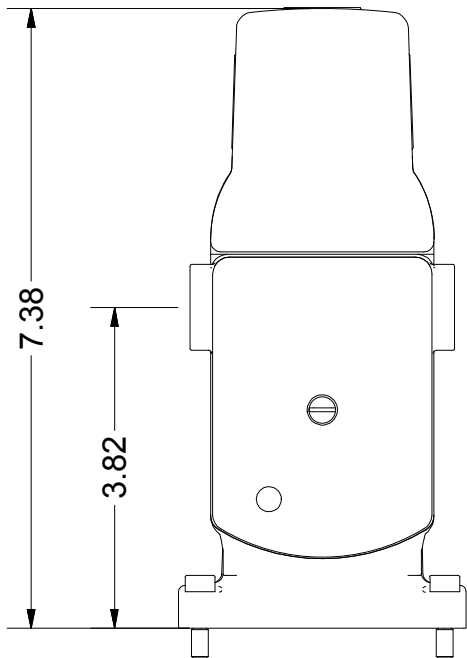


2

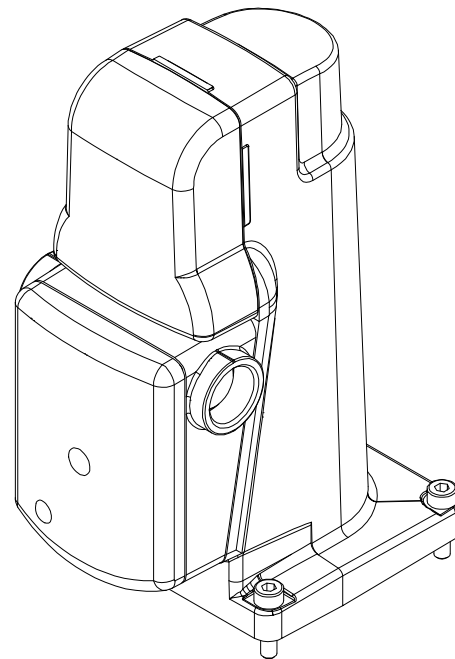
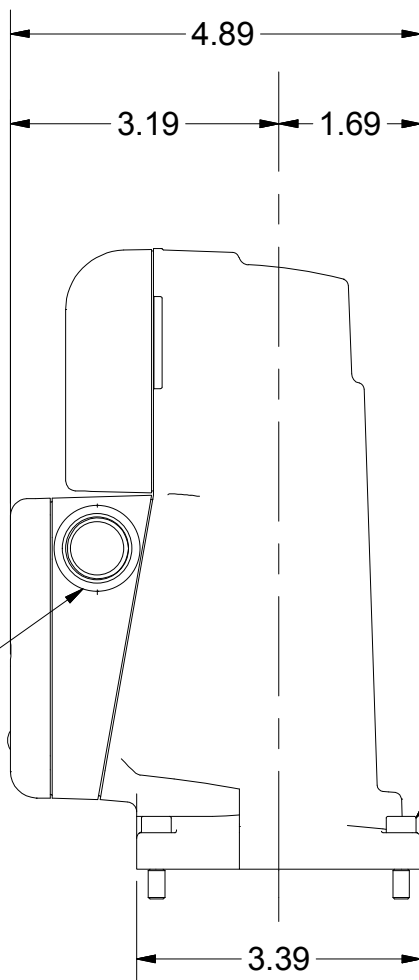
1

B

B



1/2"-14 NPSM
(1/2" NPT
ALSO ACCEPTED)
WITH KNOCKOUT
TYP. (2)



4mm HEX
DRIVE

A

A

NOTE: DIMENSIONS FOR REFERENCE ONLY

REV.

1

MATERIAL				SCC Inc. Elk Grove Village, IL 60007 PH# 224-366-8445			DESCRIPTION		
FINISH							Electro-hydraulic Actuator for VGx Series Valves		
TOLERANCES (UNLESS OTHERWISE SPECIFIED)							DATE ORIGINATED	SHEET	SCALE
FRACT.	.XX	.XXX	ANG.	ALL DIMENSIONS IN INCHES UNLESS NOTED			1/7/2013	1 of 1	7/16
+/- 0/00				+/- 0.01			+/- 0.005		
+/- 0.5									
This Drawing and all information contained in this Drawing is the Property of SCC Inc.							PART / DRAWING #		
							SKP15.01xU1		

2

1