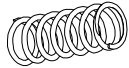


2

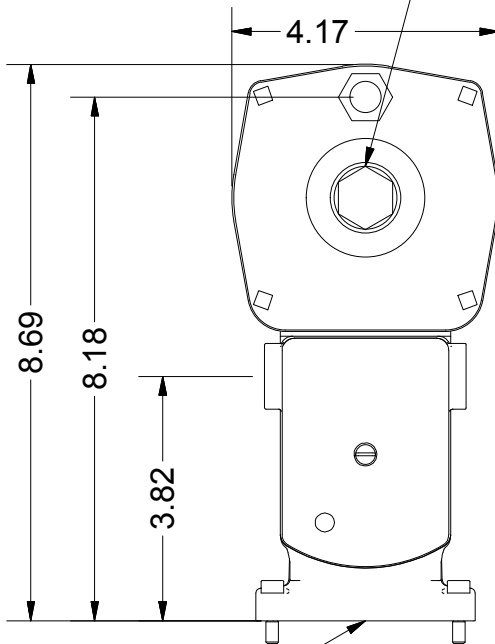
1

ADJUSTABLE:
SPRING HOUSED WITHIN
(STANDARD SPRING:
1.5 - 10 PSI)



AVAILABLE SEPARATELY:
AGA23 for 8.5 - 20 PSI

B



AGA66
NEMA-4 KIT
AVAILABLE SEPARATELY

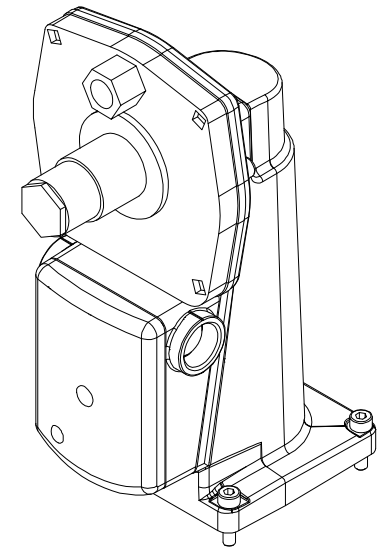
1/4" NPT
(FOR SENSING LINE)

1/4" NPT

1/2"-14 NPSM
(1/2" NPT
ALSO ACCEPTED)
WITH KNOCKOUT
TYP. (2)

TEST
PORT

4mm HEX
DRIVE



B

NOTE: DIMENSIONS FOR REFERENCE ONLY

REV.

1

A

MATERIAL		SCC Inc. Elk Grove Village, IL 60007 PH# 224-366-8445		DESCRIPTION					
FINISH				Electro-hydraulic Actuator for VGx Series Valves					
TOLERANCES (UNLESS OTHERWISE SPECIFIED)				ENGINEER	DRAWN BY	CHECKED BY	DATE ORIGINATED	SHEET	SCALE
FRACT.	.XX	.XXX	ANG.	ALL DIMENSIONS IN INCHES UNLESS NOTED			1/7/2013	1 of 1	1/3
	+/- 0/00	+/- 0.01	+/- 0.005		DAG				
This Drawing and all information contained in this Drawing is the Property of SCC Inc.							PART / DRAWING #		
							SKP25.41xU1		

2

1

A