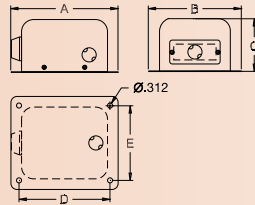


Cleaver Brooks

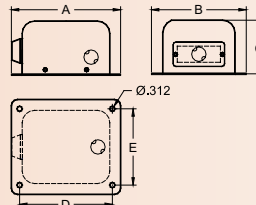
| | | |
|---------|-----|----|
| A06-SJ4 | 120 | 60 |
|---------|-----|----|



| A | B | C | D | E |
|------|------|------|------|------|
| 6.63 | 5.75 | 4.81 | 5.63 | 4.63 |

Cleaver Brooks

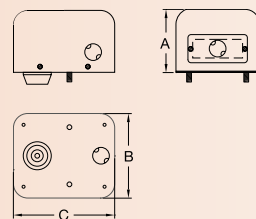
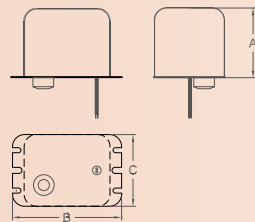
| | | |
|---------|-----|----|
| A06-SJ5 | 120 | 60 |
|---------|-----|----|



| A | B | C | D | E |
|------|------|------|------|------|
| 6.50 | 5.50 | 4.75 | 5.63 | 4.63 |

Gordon Piatt

| Secondary 6,000 V 20 mA, 175 VA, End Ground | | |
|--|---------|----|
| Catalog No. | Primary | Hz |
| A06-SV12 | 120 | 60 |



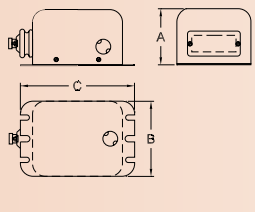
Dunham Bush

| Secondary 6,000 V 20 mA, 175 VA, End Ground | | |
|--|---------|----|
| Catalog No. | Primary | Hz |
| A06-SY3 | 120 | 60 |

| A | B | C |
|------|------|------|
| 4.25 | 4.44 | 5.38 |

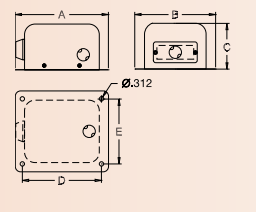
Universal

| Secondary 8,500 V 20 mA, 230 VA, End Ground | | |
|--|---------|----|
| Catalog No. | Primary | Hz |
| A08-SA1 | 120 | 60 |



Industrial Combustion

| Secondary 8,500 V 20 mA, 230 VA, End Ground | | |
|--|---------|----|
| Catalog No. | Primary | Hz |
| A08-SJ5 | 120 | 60 |

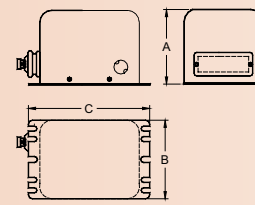


| A | B | C |
|------|------|------|
| 4.31 | 4.44 | 6.75 |

| A | B | C | D | E |
|------|------|------|------|------|
| 6.50 | 5.50 | 4.75 | 5.63 | 4.63 |

Universal

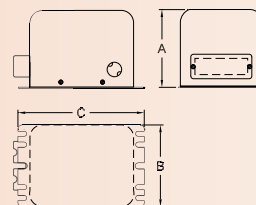
| Secondary 10,000 V 22 mA, 250 VA, End Ground | | |
|---|---------|----|
| Catalog No. | Primary | Hz |
| A10-LA2 | 120 | 60 |
| C10-LA2 | 240 | 60 |
| K10-LA2 | 208 | 60 |
| E10-LA2 | 110 | 50 |
| F10-LA2 | 220 | 50 |



| A | B | C |
|------|------|------|
| 4.69 | 4.94 | 7.63 |

Universal

| Secondary 2 x 5,000 V or 10,000 22 mA, 250 VA | | |
|---|---------|----|
| Catalog No. | Primary | Hz |
| A10-LF3 | 120 | 60 |
| C10-LF3 | 240 | 60 |
| N10-LF3 | 480 | 60 |



| A | B | C |
|------|------|------|
| 4.69 | 4.94 | 7.63 |

gas and oil burner transformers dual and multipole



A15-LA61

Primary 120 V. 60 Hz
Secondary Two Unit
2 x 7,500 Volts
30 MA. 560 VA. Weight 30#

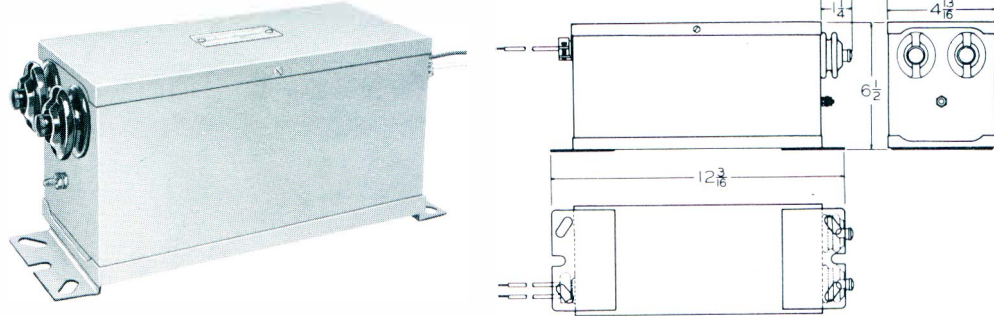


Fig. 40

A15-LA6 3 UNIT GAS

Primary 120 V. 60 Hz
Secondary Three Unit
3 x 5,000 Volts
22 MA. 375 VA. Weight 20#

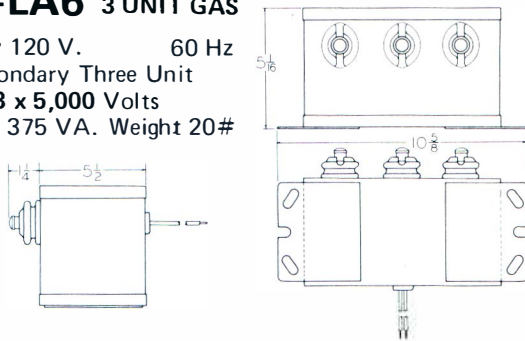


Fig. 41

A20-LA7 4 UNIT GAS

Primary 120 V. 60 Hz
Secondary Four Unit
4 x 5,000 Volts
22 MA. 500 VA. Weight 26#

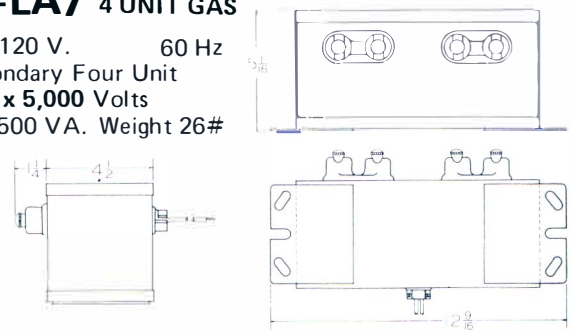


Fig. 42

epoxy-filled heavy duty industrial types

Dongan Ignition Transformers are supplied with standard compound filling for operation in ambient temperatures up to 120° F. For ambient temperatures from 120° F to 150° F some units, as indicated below

are available EPOXY-FILLED for a slightly higher price. Epoxy-Filled units are also recommended for unusually humid environments.

A06-SA6X Primary 120 V. 60 Hz 20 MA. 175 VA.
C06-SA6X Primary 240 V. 60 Hz



Fig. 43
F06-SA6XE Primary 220 V. 50 Hz CE Rated

EPOXY FILLED

A10-LA2X Primary 120 V. 60 Hz. 22 MA. 250 VA.
C10-LA2X Primary 240 V. 60 Hz



Fig. 44

EPOXY FILLED

A10-LF3X Primary 120 V. 60 Hz 22 MA. 250 VA.
C10-LF3X Primary 240 V. 60 Hz

N10-LF3X Primary 480 V. 60 Hz
Secondary
2 x 5,000 Volts
Weight 15#



Fig. 45

EPOXY FILLED

A10-LF3X2 Primary 120 V. 60 Hz 22 MA. 250 VA.
C10-LF3X2 Primary 240 V. 60 Hz

N10-LF3X2 Primary 480 V. 60 Hz
Secondary
2 x 5,000 Volts
Weight 15#

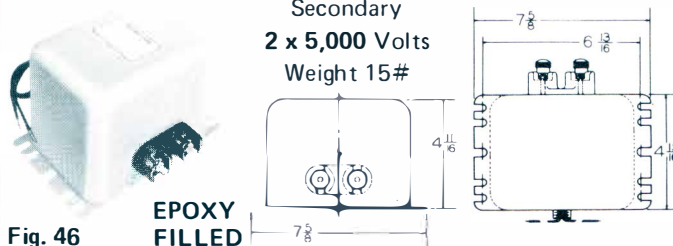


Fig. 46

EPOXY FILLED

