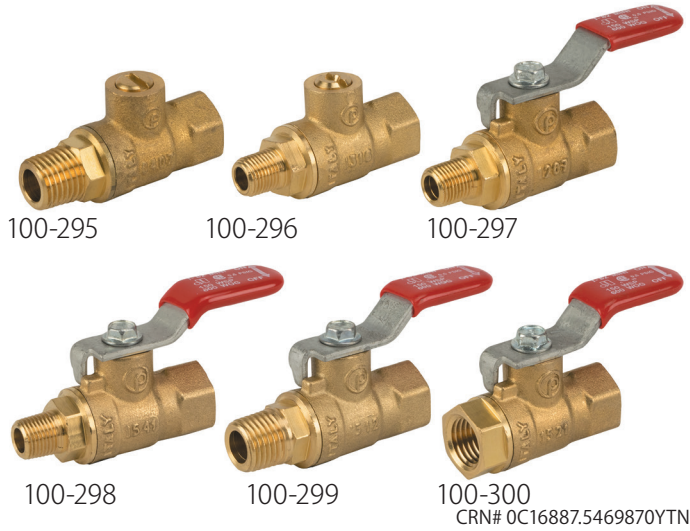


Brass Ball Valve



2 Piece • Full Port • Threaded Connection • Mini Valves • 600 WOG



T-82-M

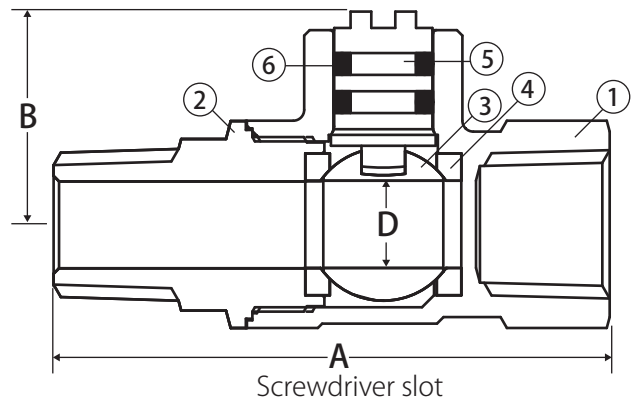
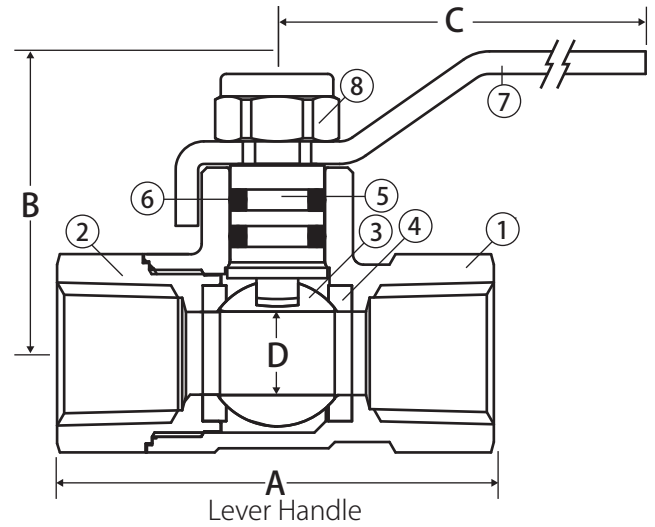
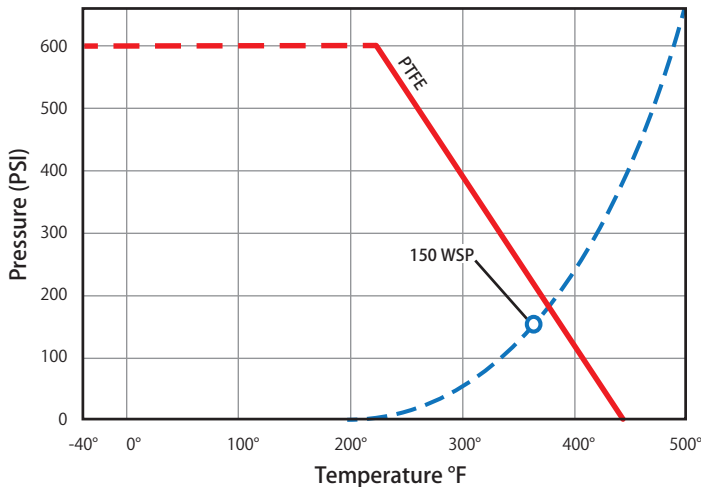
Features

- Blow-out proof stem
- 2 Viton® o-rings
- Greater flow rate
- Large raised wrench flats
- 100% leak tested
- 100% Made in Italy
- Leakproof stem - Lifetime Warranty

Approvals

- CSA Certified
 - ANSI Z21.15 (.5 PSIG) (1/4" - 2")
- MSS SP-110
- ANSI B1.20.1

Valve Seat Rating 600 WOG - 150 WSP



Material Specifications

| No. | Part | Materials |
|-----|-----------------|------------------------------|
| 1 | Body | Brass - CW617N |
| 2 | End Connection | Brass - CW617N |
| 3 | Ball | Chrome Plated Brass - CW617N |
| 4 | Seat (2) | PTFE |
| 5 | Stem | Brass - CW614N |
| 6 | Stem O-ring (2) | Viton® |
| 7 | Handle* | Steel - Geomet® Plated |
| 8 | Handle screw* | Steel - Geomet® Plated |

* Lever Handle Only

Dimensions

| Part No. | Size | A | B | C | D |
|----------|----------------------|------|------|------|------|
| 100-295 | 1/4" FIP x 1/4" MIP* | 2.01 | 0.77 | - | 0.31 |
| 100-296 | 1/4" FIP x 1/8" MIP* | 1.96 | 0.77 | - | 0.31 |
| 100-297 | 1/8" FIP x 1/8" MIP | 1.96 | 1.14 | 1.69 | 0.31 |
| 100-298 | 1/4" FIP x 1/8" MIP | 1.96 | 1.14 | 1.69 | 0.31 |
| 100-299 | 1/4" FIP x 1/4" MIP | 2.01 | 1.14 | 1.69 | 0.31 |
| 100-300 | 1/4" FIP x 1/4" FIP | 1.65 | 1.14 | 1.69 | 0.31 |

* Mini screwdriver slot handle