

TBA

Turbo Blowers



Features

- Integral molded scroll design
- Turbine bladed impeller
- Steel inlet guard
- Precisely balanced impellers eliminate vibration
- Complete line of available accessories for adapting to any piping condition or operational requirement
- More abrasion resistant than steel blower housing

Benefits

- Efficiencies of up to 50% over conventional blowers
- Meets air volume and pressure requirements with smaller horsepower
- Reduced power consumption
- Easily rotated to any of 14 available positions
- Corrosion resistant for longer life



The Hauck direct drive Turbo Blower is available in six pressure ranges from 12–36 osig (5.2–15.5 kPa) and 63 different sizes ranging from 240 to 13,000 scfm (6.4–348 nm³/min) for providing large or small volumes of air at constant pressures. The Turbo Blower is designed to supply air for combustion or for any low pressure air application.

HAUCK MANUFACTURING COMPANY

P.O. Box 90
Lebanon, PA 17042
Phone: 717-272-3051
Fax: 717-273-9882
www.hauckburner.com

Combustion Excellence Since 1888

TBA-1

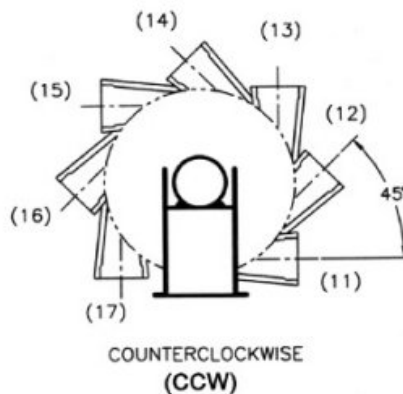
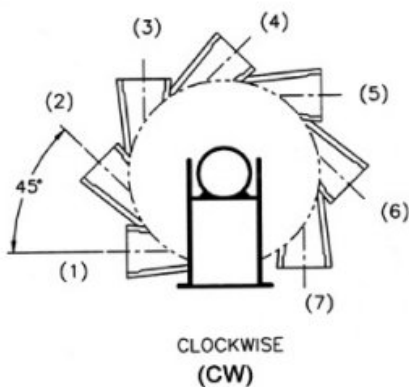
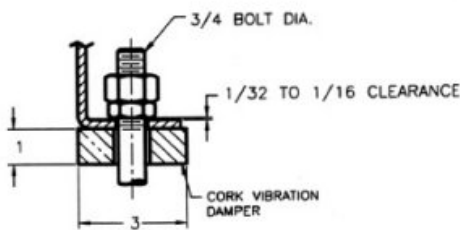
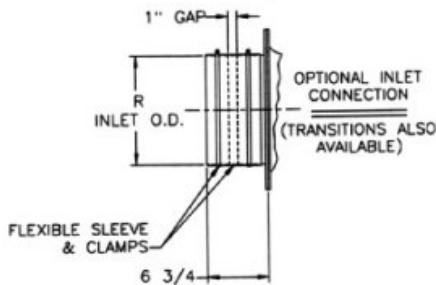
Hauck manufactures an extensive line of fiberglass turbo blowers. Originally designed to provide combustion air, TBA blowers can be used on any application requiring low pressure air, such as: aerating, cooling, cleaning, conveying, fluidizing, exhausting, spraying, drying, ventilating, and agitating. The larger units provide both the increased capacity needed for larger furnaces as well as the higher pressures necessary for recuperation and flame shaping. Maximum inlet temperature is 200 °F (93 °C).

All Hauck Turbo Blowers have the integral molded scroll design and turbine bladed impeller that has proven itself so well over the years. The blowers produce efficiencies up to 50% over conventional blowers—efficiencies that mean savings in both initial and operating costs. Hauck TBA units can frequently meet your air volume and pressure requirements with a smaller horsepower than conventional blower equipment. Because of the increased efficiency, power consumption is reduced by several horsepower, reducing operating costs. TBA blowers are available with high efficiency or special duty motors.

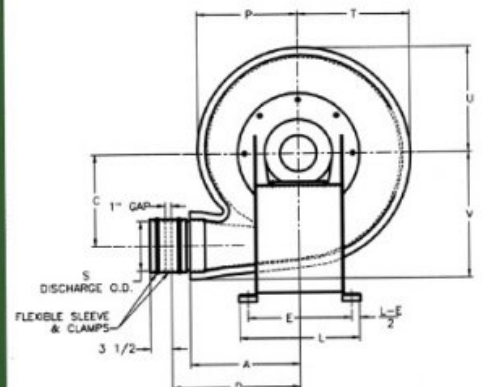
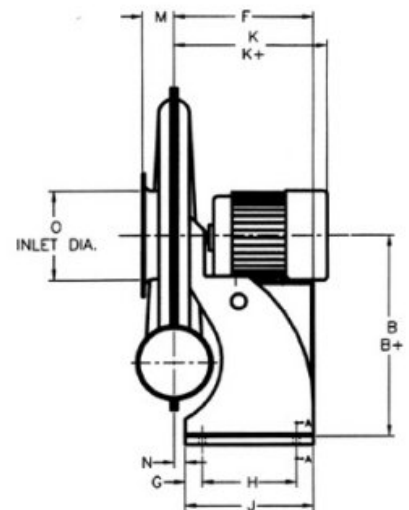
The simple removal of eight bolts allows the casing and discharge to be rotated to any of seven positions. The rotation can easily be completed without disassembly of the casing. A steel inlet guard is furnished as standard equipment. If a motor replacement is ever necessary, standard shaft 'T' frame motors can be purchased locally, eliminating down time awaiting a special motor. Impellers balanced to ISO 1940 balancing standards minimize vibration to significantly increase the operational life of the blower. All Hauck Turbo Blowers are thoroughly tested prior to shipment.

A complete line of accessories is available which can adapt the Hauck Turbo Blower to almost any piping condition or operational requirement: inlet filters, silencers, combination filter-silencers, blast gates, transitions, starters, adapters, and more. Hauck Anti-Surge Control Systems (ASC) are available for new or existing installations where piping length or other conditions induce blower surge.

DIMENSIONS



AVAILABLE STANDARD DISCHARGE





Pressure Range (OSI)	Catalog Number	1.0 S.F. Motor Rating (TEFC)				1.15 S.F. Motor Rating (ODP)			
		SCFM	SCFH	Total Pressure (OSIG)	BHP	SCFM	SCFH	Total Pressure (OSIG)	BHP
12	TBA-12-1.5	240	14,400	12.0	1.5	305	18,300	11.4	1.8
	TBA-12-2	310	18,600	12.6	2	440	26,400	11.6	2.4
	TBA-12-3	500	30,000	12.7	3	-	-	-	-
	TBA-12-5	1,080	64,800	12.4	5	1,280	76,800	11.7	5.75
	TBA-12-7.5	1,600	96,000	12.4	7.5	2,040	122,400	11.5	8.6
	TBA-12-10	2,200	132,000	12.5	10	2,740	164,400	10.8	11.5
	TBA-12-15	3,050	183,000	12.6	15	3,750	225,000	11.9	17.25
	TBA-12-20	4,550	273,000	12.1	20	5,140	308,400	11.7	23
	TBA-12-25	5,050	303,000	12.1	25	5,775	346,500	11.0	28.75
TBA-12-30	5,775	346,500	12.0	30	6,575	394,500	11.0	34.5	
16	TBA-16-3	380	22,800	16.5	3	-	-	-	-
	TBA-16-5	740	44,400	16.0	5	900	54,000	15.2	5.75
	TBA-16-7.5	1,220	73,200	16.5	7.5	1,460	87,600	15.6	8.6
	TBA-16-10	1,620	97,200	16.6	10	1,920	115,200	15.5	11.5
	TBA-16-15	2,500	150,000	16.7	15	3,050	183,000	15.5	17.25
	TBA-16-20	3,250	195,000	16.7	20	3,750	225,000	15.0	23
	TBA-16-25	3,850	231,000	16.5	25	4,700	282,000	15.7	28.75
	TBA-16-30	4,600	276,000	16.3	30	5,600	336,000	15.0	34.5
	TBA-16-40	6,900	414,000	16.7	40	7,950	447,000	15.3	46
20	TBA-20-5	450	27,000	20.0	5	550	33,000	19.5	5.75
	TBA-20-7.5	850	51,000	20.0	7.5	1,040	62,400	18.9	8.6
	TBA-20-10	1,200	72,000	20.0	10	1,470	88,200	18.2	11.5
	TBA-20-15	2,100	126,000	20.8	15	2,500	150,000	19.4	17.25
	TBA-20-20	2,650	159,000	20.9	20	3,125	187,500	20.0	23
	TBA-20-25	3,380	202,800	20.8	25	3,975	238,500	19.5	28.75
	TBA-20-30	3,850	231,000	20.8	30	4,550	273,000	19.7	34.5
	TBA-20-40	5,000	300,000	20.8	40	5,650	339,000	19.5	44
	TBA-20-50	6,620	397,200	19.5	50	7,850	471,000	17.8	57.5
TBA-20-60	7,700	462,000	19.5	60	9,150	549,000	17.0	69	
24	TBA-24-5	235	14,100	22.8	5	350	21,000	23.4	5.75
	TBA-24-7.5	600	36,000	23.5	7.5	760	45,600	22.8	8.6
	TBA-24-10	1,000	60,000	24.0	10	1,200	72,000	23.7	11.5
	TBA-24-15	1,550	93,000	24.0	15	1,800	108,000	22.1	16.5
	TBA-24-20	2,350	141,000	24.9	20	2,760	165,600	23.9	23
	TBA-24-25	2,875	172,500	25.0	25	3,400	204,000	23.5	28.75
	TBA-24-30	3,350	201,000	25.8	30	3,925	235,500	25.1	34.5
	TBA-24-40	4,350	261,000	25.5	40	5,000	300,000	24.0	46
	TBA-24-50	5,600	336,000	25.4	50	6,650	399,000	24.0	57.5
TBA-24-60	6,500	390,000	24.8	60	7,700	462,000	23.0	69	
32	TBA-32-7.5	460	27,600	32.6	7.5	570	34,200	32.0	8.6
	TBA-32-10	625	37,500	32.3	10	760	45,600	29.5	11.5
	TBA-32-15	870	52,200	32.9	15	1,050	63,000	27.9	17.25
	TBA-32-20	1,100	66,000	32.3	20	1,310	78,600	27.0	23
	TBA-32-25	2,180	130,800	32.6	25	2,510	150,600	31.6	28.75
	TBA-32-30	2,620	157,200	33.1	30	3,100	186,000	31.5	34.5
	TBA-32-40	3,540	212,400	32.9	40	4,140	248,400	30.6	46
	TBA-32-50	4,300	258,000	31.6	50	5,050	303,000	27.6	57.5
	TBA-32-60	4,750	285,000	34.5	60	5,600	336,000	29.9	69
	TBA-32-75	6,050	363,000	32.2	75	7,050	424,200	29.8	86.25
	TBA-32-100	8,350	501,000	31.9	100	10,000	600,000	30.2	115
	TBA-32-125	10,300	618,000	31.8	125	11,700	672,000	31.1	143.75
	TBA-32-150	12,050	723,000	32.5	150	14,200	852,000	30.2	172.5
36	TBA-36-10	550	33,000	36.1	10	675	40,500	35.4	11.5
	TBA-36-15	850	51,000	35.8	15	1,010	60,600	31.9	17.25
	TBA-36-20	1,035	62,100	36.6	20	1,250	75,000	30.7	23
	TBA-36-25	1,940	116,400	35.8	25	2,360	141,000	34.9	28.75
	TBA-36-30	2,380	142,800	36.4	30	2,820	169,200	35.4	34.5
	TBA-36-40	3,300	198,000	35.7	40	3,875	232,500	33.9	46
	TBA-36-50	3,950	237,000	36.4	50	4,650	279,000	33.9	57.5
	TBA-36-60	4,600	276,000	36.7	60	5,425	325,500	33.2	69
	TBA-36-75	5,650	339,000	36.6	75	6,600	396,000	35.1	86.25
	TBA-36-100	7,275	436,500	35.8	100	8,125	487,500	34.1	115
	TBA-36-125	8,500	510,000	40.2	125	10,800	648,000	38.3	143.75
	TBA-36-150	11,500	690,000	37.2	150	14,500	870,000	32.6	172.5

NOTE: 1. Capacities at 29.92" Hg inlet pressure and 70°F inlet temperature.
2. All motors 60 Hz, 3600 rpm., standard shaft.



Pressure Range (OSI)	Catalog Number	1.0 S.F. Motor Rating (TEFC)				1.15 S.F. Motor Rating (ODP)			
		SCFM	SCFH	Total Pressure (OSIG)	BHP	SCFM	SCFH	Total Pressure (OSIG)	BHP
12	TBA-12-1.5	240	14,400	12.0	1.5	305	18,300	11.4	1.8
	TBA-12-2	310	18,600	12.6	2	440	26,400	11.6	2.4
	TBA-12-3	500	30,000	12.7	3	-	-	-	-
	TBA-12-5	1,080	64,800	12.4	5	1,280	76,800	11.7	5.75
	TBA-12-7.5	1,600	96,000	12.4	7.5	2,040	122,400	11.5	8.6
	TBA-12-10	2,200	132,000	12.5	10	2,740	164,400	10.8	11.5
	TBA-12-15	3,050	183,000	12.6	15	3,750	225,000	11.9	17.25
	TBA-12-20	4,550	273,000	12.1	20	5,140	308,400	11.7	23
16	TBA-12-25	5,050	303,000	12.1	25	5,775	346,500	11.0	28.75
	TBA-12-30	5,775	346,500	12.0	30	6,575	394,500	11.0	34.5
	TBA-16-3	380	22,800	16.5	3	-	-	-	-
	TBA-16-5	740	44,400	16.0	5	900	54,000	15.2	5.75
	TBA-16-7.5	1,220	73,200	16.5	7.5	1,460	87,600	15.6	8.6
	TBA-16-10	1,620	97,200	16.6	10	1,920	115,200	15.5	11.5
	TBA-16-15	2,500	150,000	16.7	15	3,050	183,000	15.5	17.25
	TBA-16-20	3,250	195,000	16.7	20	3,750	225,000	15.0	23
20	TBA-16-25	3,850	231,000	16.5	25	4,700	282,000	15.7	28.75
	TBA-16-30	4,600	276,000	16.3	30	5,600	336,000	15.0	34.5
	TBA-16-40	6,900	414,000	16.7	40	7,950	447,000	15.3	46
	TBA-20-5	450	27,000	20.0	5	550	33,000	19.5	5.75
	TBA-20-7.5	850	51,000	20.0	7.5	1,040	62,400	18.9	8.6
	TBA-20-10	1,200	72,000	20.0	10	1,470	88,200	18.2	11.5
	TBA-20-15	2,100	126,000	20.8	15	2,500	150,000	19.4	17.25
	TBA-20-20	2,650	159,000	20.9	20	3,125	187,500	20.0	23
24	TBA-20-25	3,380	202,800	20.8	25	3,975	238,500	19.5	28.75
	TBA-20-30	3,850	231,000	20.8	30	4,550	273,000	19.7	34.5
	TBA-20-40	5,000	300,000	20.8	40	5,650	339,000	19.5	44
	TBA-20-50	6,620	397,200	19.5	50	7,850	471,000	17.8	57.5
	TBA-20-60	7,700	462,000	19.5	60	9,150	549,000	17.0	69
	TBA-24-5	235	14,100	22.8	5	350	21,000	23.4	5.75
	TBA-24-7.5	600	36,000	23.5	7.5	760	45,600	22.8	8.6
	TBA-24-10	1,000	60,000	24.0	10	1,200	72,000	23.7	11.5
32	TBA-24-15	1,550	93,000	24.0	15	1,800	108,000	22.1	16.5
	TBA-24-20	2,350	141,000	24.9	20	2,760	165,600	23.9	23
	TBA-24-25	2,875	172,500	25.0	25	3,400	204,000	23.5	28.75
	TBA-24-30	3,350	201,000	25.8	30	3,925	235,500	25.1	34.5
	TBA-24-40	4,350	261,000	25.5	40	5,000	300,000	24.0	46
	TBA-24-50	5,600	336,000	25.4	50	6,650	399,000	24.0	57.5
	TBA-24-60	6,500	390,000	24.8	60	7,700	462,000	23.0	69
	TBA-32-7.5	460	27,600	32.6	7.5	570	34,200	32.0	8.6
36	TBA-32-10	625	37,500	32.3	10	760	45,600	29.5	11.5
	TBA-32-15	870	52,200	32.9	15	1,050	63,000	27.9	17.25
	TBA-32-20	1,100	66,000	32.3	20	1,310	78,600	27.0	23
	TBA-32-25	2,180	130,800	32.6	25	2,510	150,600	31.6	28.75
	TBA-32-30	2,620	157,200	33.1	30	3,100	186,000	31.5	34.5
	TBA-32-40	3,540	212,400	32.9	40	4,140	248,400	30.6	46
	TBA-32-50	4,300	258,000	31.6	50	5,050	303,000	27.6	57.5
	TBA-32-60	4,750	285,000	34.5	60	5,600	336,000	29.9	69
	TBA-32-75	6,050	363,000	32.2	75	7,050	424,200	29.8	86.25
	TBA-32-100	8,350	501,000	31.9	100	10,000	600,000	30.2	115
	TBA-32-125	10,300	618,000	31.8	125	11,700	702,000	31.1	143.75
	TBA-32-150	12,050	723,000	32.5	150	14,200	852,000	30.2	172.5
36	TBA-36-10	550	33,000	36.1	10	675	40,500	35.4	11.5
	TBA-36-15	850	51,000	35.8	15	1,010	60,600	31.9	17.25
	TBA-36-20	1,035	62,100	36.6	20	1,250	75,000	30.7	23
	TBA-36-25	1,940	116,400	35.8	25	2,360	141,000	34.9	28.75
	TBA-36-30	2,380	142,800	36.4	30	2,820	169,200	35.4	34.5
	TBA-36-40	3,300	198,000	35.7	40	3,875	232,500	33.9	46
	TBA-36-50	3,950	237,000	36.4	50	4,650	279,000	33.9	57.5
	TBA-36-60	4,600	276,000	36.7	60	5,425	325,500	33.2	69
	TBA-36-75	5,650	339,000	36.6	75	6,600	396,000	35.1	86.25
	TBA-36-100	7,275	436,500	35.8	100	8,125	487,500	34.1	115
	TBA-36-125	8,500	510,000	40.2	125	10,800	648,000	38.3	143.75
	TBA-36-150	11,500	690,000	37.2	150	14,500	870,000	32.6	172.5

NOTE: 1. Capacities at 29.92" Hg inlet pressure and 70°F inlet temperature.
 2. All motors 60 Hz, 3600 rpm., standard shaft.