

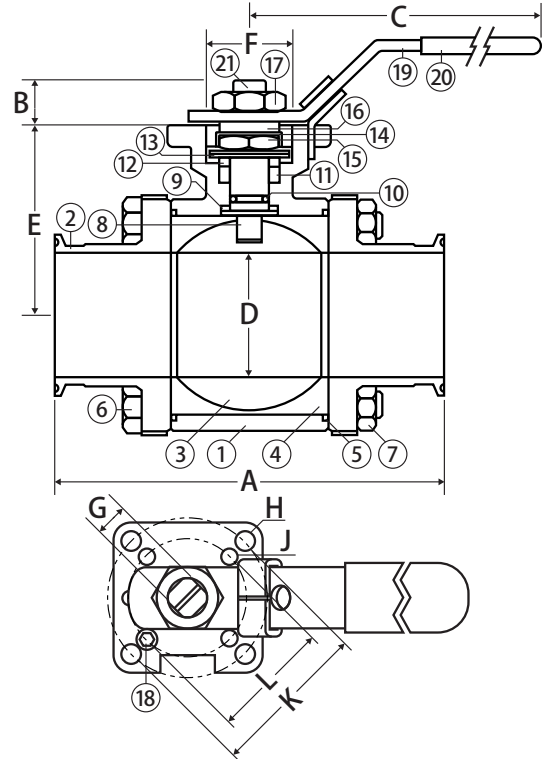
Direct Mount Ball Valve



**3 Piece 4 Bolt • Standard Port • Tri-Clamp Connection •
1000 WOG • with ISO Mounting Pad**



A9000TD



Features

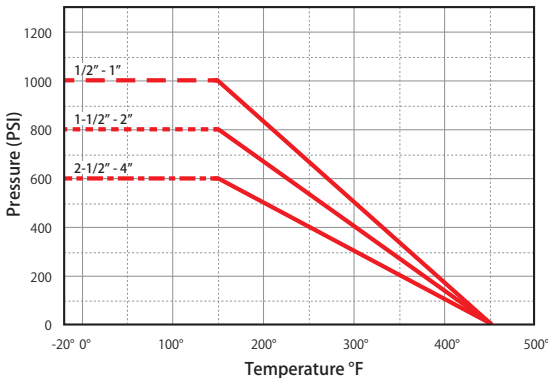
- ISO 5211 direct mounting pad
- Blow out proof stem
- 10RA I.D. finish
- Cavity filled seats
- 100% leak tested
- Wetted surface contains less than .25% lead content
- Latch Lock handle may be locked in open or closed position
- 4" is 6 bolt design
- Spring return handle available

Approvals

- ISO 2852

Valve Seat Rating

1/2" - 1" 1000 WOG, 1-1/2" - 2" 800 WOG, 2-1/2" - 4" 600WOG



Material Specifications

No.	Part	Materials	No.	Part	Materials
1	Body	A351 GR. CF8M	13	Disc Washer	SS301
2	End Cap	A351 GR. CF8M	14	Nut Stopper	SS304
3	Ball	SS316	15	Stem Nut	SS304
4	Ball Seat	PTFE	16	Space Washer	SS304
5	Gasket	PTFE	17	Handle Nut	SS304
6	Body Bolt	SS304	18	Stop Pin	SS304
7	Body Nut	SS304	19	Handle	SS304
8	Stem	SS316	20	Sleeve	Plastic
9	Thrust Washer	RPTFE	21	Set Bolt*	SS304
10	O-Ring	Viton®	22	Lever Head*	CF8
11	Stem Packing	PTFE	23	Lever*	Steel Pipe
12	Gland Washer	SS304			

* Not shown and only on 2-1/2" + valves



WARNING: This product can expose you to chemicals including diisononyl phthalate (DINP), which is known to the State of California to cause cancer, and diisononyl phthalate (DINP), which is known to the State of California to cause birth defects or other reproductive harm. For more information go to www.P65Warnings.ca.gov.

Dimensions

Part No.	Size	A	B	C	D	E	F	G	H	J	K	L	ISO	Torque
A9000TD-12	1/2"	3.50	0.37	5.31	0.38	1.38	0.98	0.35	0.24	0.24	1.65	1.42	F03/F04	62
A9000TD-34	3/4"	4.00	0.37	5.31	0.62	1.54	0.98	0.35	0.24	0.24	1.65	1.42	F03/F04	71
A9000TD-1	1"	4.50	0.55	6.10	0.87	1.89	1.18	0.43	0.28	0.24	1.97	1.65	F04/F05	98
A9000TD-112	1-1/2"	5.50	0.71	8.07	1.37	2.40	1.38	0.55	0.36	0.28	2.76	1.97	F05/F07	266
A9000TD-2	2"	6.25	0.71	8.07	1.87	2.76	1.38	0.55	0.36	0.28	2.76	1.97	F05/F07	293
A9000TD-212	2-1/2"	6.75	0.87	11.42	2.37	3.54	2.17	0.67	0.44	0.35	4.02	2.76	F07/F10	664
A9000TD-3	3"	7.75	0.87	11.42	2.87	3.90	2.17	0.67	0.44	0.35	4.02	2.76	F07/F10	832
A9000TD-4	4"	9.50	1.02	13.19	3.83	5.16	2.76	0.87	0.53	0.44	4.92	4.02	F10/F12	1027

Note: Torque is in (in-lb)