

Features

- 2-way normally closed operation
- Die-cast aluminum bodies
- Zero differential piloted diaphragm
- For on-off control of fuel gas in commercial and industrial gas burners
- Valves provided with 1/8" NPT upstream and downstream pipe taps with plugs for routine testing

Fluid

Fuel Gas

Construction

Valve Parts in Contact with Fluids	
Body	Aluminum
Seals and Disc	NBR
Core Tube	305 Stainless Steel
Core and Plugnut	430F Stainless Steel
Springs	302 Stainless Steel
Shading Coil	Copper
Pipe Plug	Zinc-Plated Steel

Electrical

Standard Coil and Class of Insulation	Watt Rating and Power Consumption				Ambient* Temp.*F	Spare Coil Family			
	DC Watts	AC				General Purpose		Explosionproof	
		Watts	VA Holding	VA Inrush		AC	DC	AC	DC
F	-	17.1	40	93	-40 to 125	238610	-	238614	-
H	-	17.1	40	93	-40 to 140	238810	-	-	-
F	22.6	-	-	-	-40 to 104	-	238710	-	-

Standard Voltages: 24, 120, 240 volts AC, 60 Hz (or 110, 220 volts AC, 50 Hz) (238610); 12, 24 volts DC.

Optional High Ambient Temp: 140°F Class H coil with prefix HB (AC only).

Solenoid Enclosures

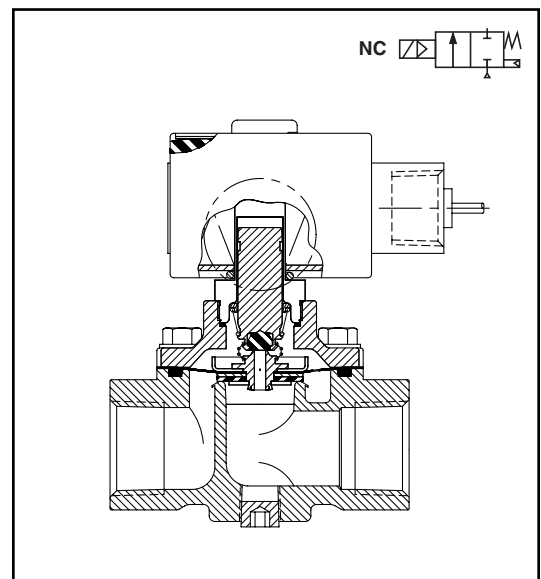
Standard: RedHat II molded epoxy Type 1, 2, 3, 3S, 4 and 4X combination. General Purpose and Watertight solenoid enclosures with 1/2" conduit hub as standard.

Optional: RedHat II - Explosionproof and Watertight, Types 3, 3S, 4, 4X, 6, 6P, 7, and 9. (To order, add Prefix "EF" to catalog numbers: 8214G -010, -020, and -030. All other constructions are not available with explosionproof enclosures.

Valve Response Time

Opening Time: Less than 1 second

Closing Time: Less than 1 second



Approvals

UL listed to standard 429 "Electrically Operated Valves," Guide Y10Z, File MP618 Safety Shutoff Valves.

FM Approved to Class 7400 "liquid and gas safety shutoff valves."

CSA Certified to:

- 1) Standard C22.2 No. 139 "Electrically Operated Valves," File 010381.
- 2) Automatic Gas Valves Z21.21 (6.5), File 112872.
- 3) Automatic Gas Safety Shutoff Valves C/I (3.9), File 112872.

Specifications (English units)

Pipe Size (ins.)	Orifice Size (ins.)	Cv Flow Factor	Gas Capacity Φ		Operating Pressure Differential (psi)		Max. Fluid Temp. °F		Catalog Number	Const. Ref.	Agency			Wattage		Approx. Shipping Weight (lbs)
			Btu/hr.	Min.	Max.	AC	DC	UL			FM	CSA	AC	DC		
COMBUSTION (Fuel Gas) - NORMALLY CLOSED																
3/8	3/4	3.4	183,000	0	5	125	104	8214G010	1	○	○	○	17.1	22.6	2	
1/2	3/4	4.4	238,500	0	5	125	104	8214G020	1	○	○	○	17.1	22.6	2	
3/4	3/4	5.1	247,500	0	5	125	104	8214G030	2	○	○	○	17.1	22.6	2	

○ = Safety Shutoff Valve. Φ 1" W.C. Drop @ 2" W.C. Inlet Pressure, 1,000 Btu/cu.ft. or more, 0.64 Specific Gravity Gas.

Specifications (Metric units)

Pipe Size (ins.)	Orifice Size (mm)	Kv Flow (m³/hr)	Gas Capacity Φ		Operating Pressure Differential (bar)		Max. Fluid Temp. °C		Catalog Number	Const. Ref.	Agency			Wattage		Approx. Shipping Weight (kgs)
			Btu/hr.	Min.	Max.	AC	DC	UL			FM	CSA	AC	DC		
COMBUSTION (Fuel Gas) - NORMALLY CLOSED																
3/8	19	2.9	183,000	0	0.3	52	40	8214G010	1	○	○	○	17.1	22.6	0.9	
1/2	19	3.7	238,500	0	0.3	52	40	8214G020	1	○	○	○	17.1	22.6	0.9	
3/4	19	4.3	247,500	0	0.3	52	40	8214G030	2	○	○	○	17.1	22.6	0.9	

○ = Safety Shutoff Valve. Φ 1" W.C. Drop @ 2" W.C. Inlet Pressure, 1,000 Btu/cu.ft. or more, 0.64 Specific Gravity Gas.

Capabilities Chart

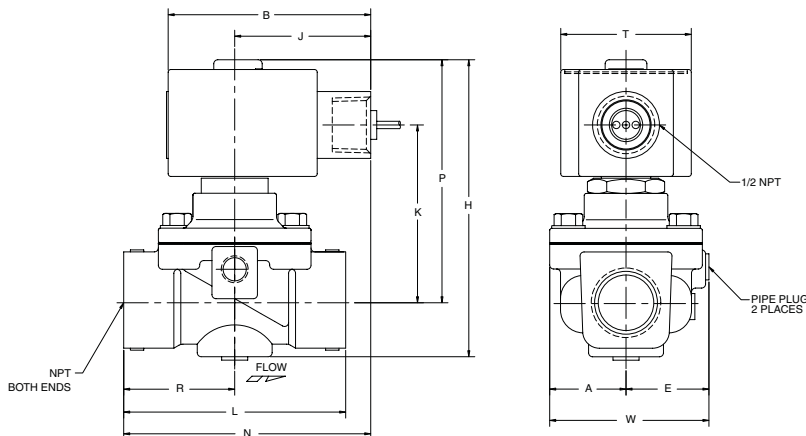
Solenoid Options		Base Catalog Number	Resilient Materials	Standard Rebuild Kit	
High Temp.	Junction Box	Aluminum	NBR	AC	DC
HB	JB	8214G010	●	316233	316790
HB	JB	8214G020	●	316233	316790
HB	JB	8214G030	●	316233	316790

● = Standard. Other options may be available. All option combinations may not be available. Solenoid options are for AC only.

Dimensions inches (mm)

Const. Ref.		A	B	E	H	J	K	L	N	P	R	T	W
1	ins.	1.14	3.03	1.36	4.08	2.04	2.47	2.75	3.42	3.46	1.38	1.95	2.50
	mm	29	77	35	104	52	63	70	87	88	35	50	64
2	ins.	1.14	3.03	1.25	4.52	2.04	2.66	3.31	3.70	3.64	1.66	1.95	2.39
	mm	29	77	32	115	52	68	84	94	92	42	50	61

Const. Ref. 1, 2



COMBUSTION