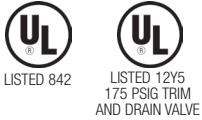


T/S-SS-1000N-4B



Full Port Stainless Steel 3 Piece - 4 Bolt Pattern Ball Valve



Description

1/4 turn, latch lock, lever handle operated, CF8M Stainless steel, 3-piece, 4- bolt (swingout pattern), full port, solid ball, blow-out proof stem ball valve.

Features

- Latch lock handle can be locked in open or closed positions
- CF8M Investment Casted Stainless Steel Body
- Pressure rating: 1000 WOG / 150 WSP
- Hostaflo® seats and stem packing
- 316 Stainless Steel Ball & Stem
- 3-piece body design for easy maintenance
- 29 in-HG vacuum rating
- NPT or socket weld connections

Approvals

- UL Listed 842 (49RO)
 - MHKZ - Manual Valves
 - YQNZ - Compressed gas shut-off valves
 - YRBX - Flammable liquid shut-off valves
 - YRPV - Gas shut-off valves
 - YSDT - LP gas shut-off valves
 - YQAR - Anhydrous ammonia shut-off valves
- MSS SP-110

Accessories

- Repair Kit available
- Pneumatic/Electric Actuators Available

Warranty

The Company, for a period of one year from the date of shipment, warrants each product or system of its own manufacture to the original purchaser to be free from defects in material and workmanship under normal use, service and maintenance.

Architect/Engineer approval	
Job Name _____	Date _____
Model Specified _____	Quantity _____
Variations Specified _____	
Customer/Wholesaler _____	
Contractor _____	
Architect _____	

Note: Information subject to change without notice.



T/S-SS-1000N-4B

Full Port Stainless Steel 3 Piece - 4 Bolt Pattern Ball Valve



Description

1/4 turn lever handle operated, CF8M Stainless steel, 3-piece, 4- bolt (swingout pattern), full port, solid ball, blow-out proof stem ball valve.

Dimensions in Inches

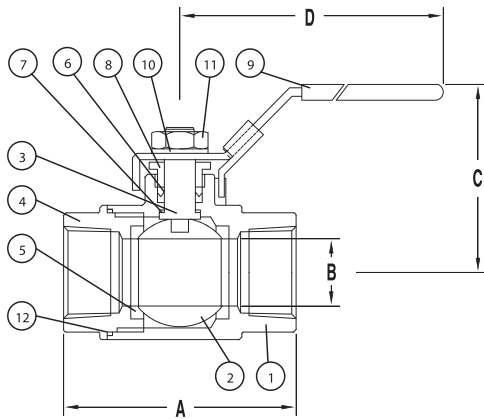
Computer No.	Size	A	B	C	D
T-SS-1000N-4B NPT					
500-301	1/4"	2.37	0.43	2.18	4.30
500-302	3/8"	2.37	0.43	2.18	4.30
500-303	1/2"	2.76	0.56	2.38	4.30
500-304	3/4"	3.03	0.81	2.87	5.81
500-305	1"	3.63	1.00	2.95	5.81
500-306	1-1/4"	4.14	1.25	3.66	7.44
500-307	1-1/2"	4.73	1.50	3.94	7.44
500-308	2"	5.43	1.97	4.25	7.81
500-310	3"	7.52	3.00	5.26	9.75
500-311	4"	8.54	3.93	6.57	11.88
S-SS-1000N-4B Socket Weld					
500-341	1/4"	2.37	0.43	2.18	4.30
500-342	3/8"	2.37	0.43	2.18	4.30
500-343	1/2"	2.76	0.56	2.38	4.30
500-344	3/4"	3.03	0.81	2.87	5.81
500-345	1"	3.63	1.00	2.95	5.81
500-346	1-1/4"	4.14	1.25	3.66	7.44
500-347	1-1/2"	4.73	1.50	3.94	7.44
500-348	2"	5.43	1.97	4.25	7.81
500-350	3"	7.52	3.00	5.26	9.75
500-351	4"	8.54	3.93	6.57	11.88

Material Specification

No.	Part Name	Material
1	Body	CF8M Stainless Steel
2	Ball	CF8M Stainless Steel
3	Stem	316 Stainless Steel
4	End Cap (2)	CF8M Stainless Steel
5	Seat	Hostafion®-TFM/1600
6	Stem packing	R.T.F.E.
7	Stem Seal	T.F.E.
8	Gland Follower	316 Stainless Steel
9	Lever Handle	304 Stainless Steel
10	Lock Washer	304 Stainless Steel
11	Lock Nut	304 Stainless Steel
12	Union Seal	R.T.F.E.

Pressure Rating

1/4"-4" 150 WSP
1/4"-4" 1000 WOG



Note: Information subject to change without notice.

VALVE SEAT RATING

