

Stainless Steel Ball Valve



**3 Piece 4 Bolt • Swing Out Body • Full Port •
Threaded Connection • 1000 WOG • Vented Ball**



CRN# 0C07956.2C

T-SS-1000N-4B-VB

Features

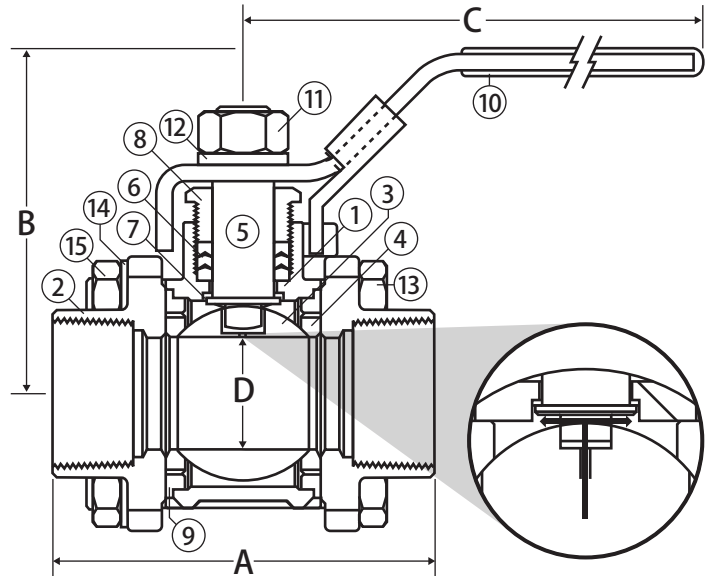
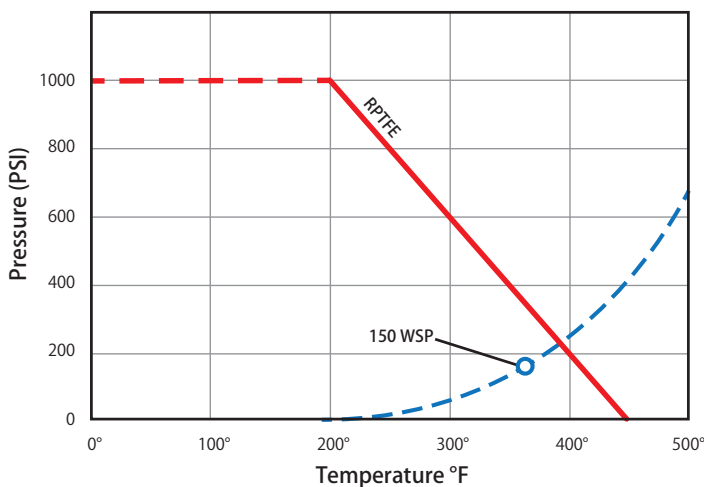
- Latch lock may be locked in open or closed positions
- 100% leak tested
- AVS Medium vacuum rating
- Wetted surfaces contain less than .25% lead content
- Repair kits available

Approvals

- MSS SP-110
- ANSI B1.20.1
- ANSI B16.11

Valve Seat Rating

1000 WOG - 150 WSP



Material Specifications

No.	Part	Materials
1	Body	CF8M Stainless Steel
2	End Cap (2)	CF8M Stainless Steel
3	Ball	CF8M Stainless Steel
4	Seat (2)	RPTFE
5	Stem	316 Stainless Steel
6	Packing (2)	PTFE
7	Stem Seal	PTFE
8	Packing Gland	316 Stainless Steel
9	Body Seal (2)	PTFE
10	Handle	304 Stainless Steel
11	Handle Nut	304 Stainless Steel
12	Lock Washer	304 Stainless Steel
13	Body Bolt (4)	304 Stainless Steel
14	Body Lock Washer (4)	304 Stainless Steel
15	Body Nut (4)	304 Stainless Steel

Dimensions

Part No.	Size	A	B	C	D
500-301VB	1/4"	2.56	2.3	3.94	0.46
500-302VB	3/8"	2.56	2.3	3.94	0.49
500-303VB	1/2"	2.56	2.44	3.94	0.59
500-304VB	3/4"	2.95	2.44	4.92	0.79
500-305VB	1"	3.35	3.03	5.87	0.98
500-306VB	1-1/4"	3.98	3.23	5.87	1.26
500-307VB	1-1/2"	4.41	3.94	7.48	1.50
500-308VB	2"	5.12	4.25	7.48	1.97
500-309VB	2-1/2"	6.38	5.39	9.84	2.48
500-310VB	3"	7.40	5.71	9.84	2.99
500-311VB	4"	8.82	7.05	12.72	3.78