

Butterfly Valve



Wafer Style • Epoxy-Coated Ductile Iron Body • Stainless Steel Disc



BFV-Wafer

CRN# 0C09891.2

Features

- Designed for commercial and industrial applications up to 200 PSI
- Easily accepts actuator with ISO 5211 mounting flange
- Available in EPDM, PTFE, Buna-N, or Viton® seats
- Meets API 609 & MSS SP-67
- Seat to flange seal eliminates the need for flange gaskets
- Epoxy coated finish
- Ideal for mounting pneumatic/electrical actuators
- Square stem for direct mount
- Wetted surfaces contain less than .25% lead content

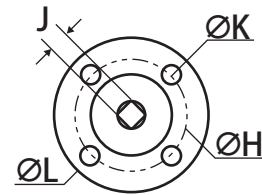
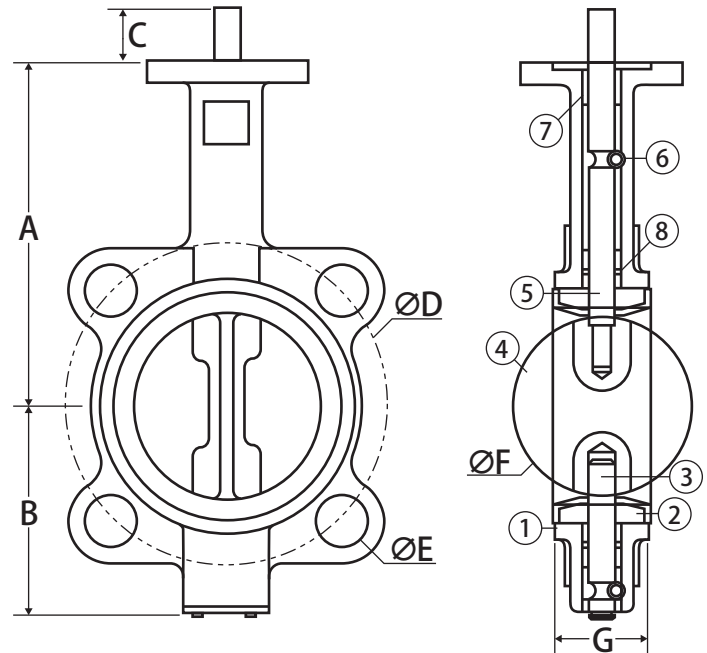
Approvals

- API 609
- MSS SP-67
- NSF 61 / NSF 372

Material Specifications

| No. | Part | Materials |
|-----|------------------|-----------------------------|
| 1 | Body | Ductile Iron - Epoxy Coated |
| 2 | Seat | *Varies* |
| 3 | Lower Shaft* | 410 Stainless Steel |
| 4 | Disc | CF8M Stainless Steel |
| 5 | Upper Shaft | 410 Stainless Steel |
| 6 | Locating Pin (2) | Carbon Steel |
| 7 | Bushing (3) | PTFE |
| 8 | O-ring (2) | EPDM |

2" - 12" only, 14" - 36" are pin through shaft style



Seat Temperature Ranges

| | Size | Buna-N | EPDM | Viton | PTFE |
|-------------------------|-----------|-----------|------------|-----------|------------|
| Temperature range (° F) | 2" - 36" | 10 to 180 | -30 to 250 | 10 to 275 | -20 to 250 |
| Inline service (psi) | 2" - 12" | 200 | 200 | 200 | 200 |
| | 14" - 36" | 150 | 150 | 150 | 150 |



WARNING: This product can expose you to chemicals including lead, which is known to the State of California to cause birth defects or other reproductive harm. For more information go to www.P65Warnings.ca.gov.

When ordering butterfly valves please specify the seat in the _ space with the following letter designations:

E = EPDM P = PTFE V = VITON B = BUNA

When ordering butterfly valves please specify the handle with the following letter designations:

L = Lever Handle B = Bare Stem G = Gear Operator -

Dimensions

| Part No. | Size | A | B | C | D | E | F | G | H | J | K | L | Weight |
|-------------|--------|-------|-------|------|-------|-----------|-------|------|-------|------|----------|-------|---------|
| 900-02DS_L | 2" | 6.34 | 3.15 | 1.26 | 4.74 | 4 : 0.75 | 2.07 | 1.65 | 1.97 | 0.35 | 4 : 0.28 | 3.03 | 5.51 |
| 900-212DS_L | 2-1/2" | 6.89 | 3.50 | 1.26 | 5.50 | 4 : 0.75 | 2.54 | 1.77 | 1.97 | 0.35 | 4 : 0.28 | 3.03 | 7.05 |
| 900-03DS_L | 3" | 7.13 | 3.74 | 1.26 | 6.00 | 4 : 0.75 | 3.10 | 1.77 | 1.97 | 0.35 | 4 : 0.28 | 3.03 | 8.38 |
| 900-04DS_L | 4" | 7.87 | 4.49 | 1.26 | 7.50 | 8 : 0.75 | 4.09 | 2.03 | 2.76 | 0.43 | 4 : 0.35 | 3.54 | 10.80 |
| 900-05DS_L | 5" | 8.39 | 5.00 | 1.26 | 8.50 | 8 : 0.87 | 4.85 | 2.17 | 2.76 | 0.55 | 4 : 0.35 | 3.54 | 15.43 |
| 900-06DS_L | 6" | 8.90 | 5.47 | 1.26 | 9.51 | 8 : 0.87 | 6.13 | 2.17 | 2.76 | 0.55 | 4 : 0.35 | 3.54 | 17.20 |
| 900-08DS_B | 8" | 10.24 | 6.89 | 1.61 | 11.75 | 8 : 0.87 | 7.97 | 2.36 | 4.02 | 0.67 | 4 : 0.47 | 4.92 | 29.10 |
| 900-10DS_B | 10" | 11.50 | 7.99 | 1.61 | 14.25 | 12 : 0.98 | 9.86 | 2.64 | 4.02 | 0.87 | 4 : 0.47 | 4.92 | 42.33 |
| 900-12DS_B | 12" | 13.27 | 9.53 | 1.61 | 17.01 | 12 : 0.98 | 11.87 | 2.97 | 4.02 | 0.87 | 4 : 0.47 | 5.51 | 71.65 |
| 900-14DS_G | 14" | 14.49 | 10.51 | 1.77 | 18.74 | 12 : 1.14 | 13.12 | 2.97 | 4.02 | 0.87 | 4 : 0.47 | 5.51 | 91.05 |
| 900-16DS_G | 16" | 15.75 | 12.17 | 2.02 | 21.26 | 16 : 1.14 | 15.34 | 4.02 | 5.51 | 1.06 | 4 : 0.71 | 7.76 | 134.48 |
| 900-18DS_G | 18" | 16.61 | 12.91 | 2.02 | 22.76 | 16 : 1.26 | 17.34 | 4.49 | 5.51 | 1.06 | 4 : 0.71 | 7.76 | 174.16 |
| 900-20DS_G | 20" | 18.90 | 14.21 | 2.53 | 25.00 | 20 : 1.26 | 19.35 | 5.00 | 5.51 | 1.42 | 4 : 0.71 | 7.76 | 282.19 |
| 900-24DS_G | 24" | 22.13 | 18.07 | 2.76 | 29.51 | 20 : 1.38 | 23.33 | 5.94 | 6.50 | 1.42 | 4 : 0.91 | 10.87 | 414.47 |
| 900-30DS_G | 30" | 25.98 | 21.22 | 2.60 | 36.00 | 28 : 1.38 | 29.30 | - | 10.00 | ~* | 8 : 0.71 | 11.81 | 723.12 |
| 900-36DS_G | 36" | 28.35 | 25.83 | 4.65 | 41.34 | 32 : 1.61 | 34.04 | - | 10.00 | ~* | 8 : 0.71 | 11.81 | 1571.89 |

*Stem is round with key, dimensions and drawings available upon request.