

Dual Modular Safety Shutoff Valves

DMV-D 525/11
DMV-DLE 525/11

DUNGS[®]
Combustion Controls



Two normally closed safety shutoff valves in one housing; each with the following approvals.

CSA Certified

- ANSI Z21.21
- CSA 6.5
- Marked C/I
- File # 157406

FM Approved

- Class 7411
- File # 3005931

EU Gas Appliance Directive

- EN161
- CE-0085AO0237

Commonwealth of Massachusetts Approved Product

- Approval code G1-1107-35
- Gas Safety Shutoff Valve

US, Canadian and EU Models

- DMV-D 525/11
- DMV-DLE 525/11
- 2 in. NPT
- Rp 2

Codes and Standards

This product is intended for installations covered by but not limited to NFPA 86, ANSI Z83.4, ANSI Z83.18, ANSI Z21.13 or CSA B149.1, CSA B149.3 and CSA B149.6.

DUNGS is an ISO 9001 manufacturing facility.



Description

The Dual Modular Valve (DMV) combines two safety shutoff valves in one compact housing, which can be wired independently or in parallel.

Valve 1 (V1) of the DMV-D and DMV-DLE series is fast opening and fast closing. Valve 2 (V2) of the DMV-D is fast opening, while V2 of the DMV-DLE is slow-opening for smoother light-off. Max. flow adjustment on V2 provides variable main flow on both models.

Internal profiles and compact design optimize flow and provide a low pressure drop.

Directly mounting the following accessories creates a compact valve train without additional piping:

- High and low gas pressure switches
- Valve proving system
- DMK Butterfly control valve
- 1" NPT Vent line adapter

Application

The DMV is recommended for industrial and commercial heating applications that require two safety shutoff valves. The DMV is suitable for dry natural gas, propane, butane, air and inert gases. Suitable for up to 0.1% by volume, dry H₂S.

A "dry" gas has a dew point lower than +15 °F and its relative humidity is less than 60 %.

DMV-D 525/11 Two normally closed safety shutoff valves in one housing. V1 and V2 are fast opening, fast closing. Adjustable max. flow with V2.

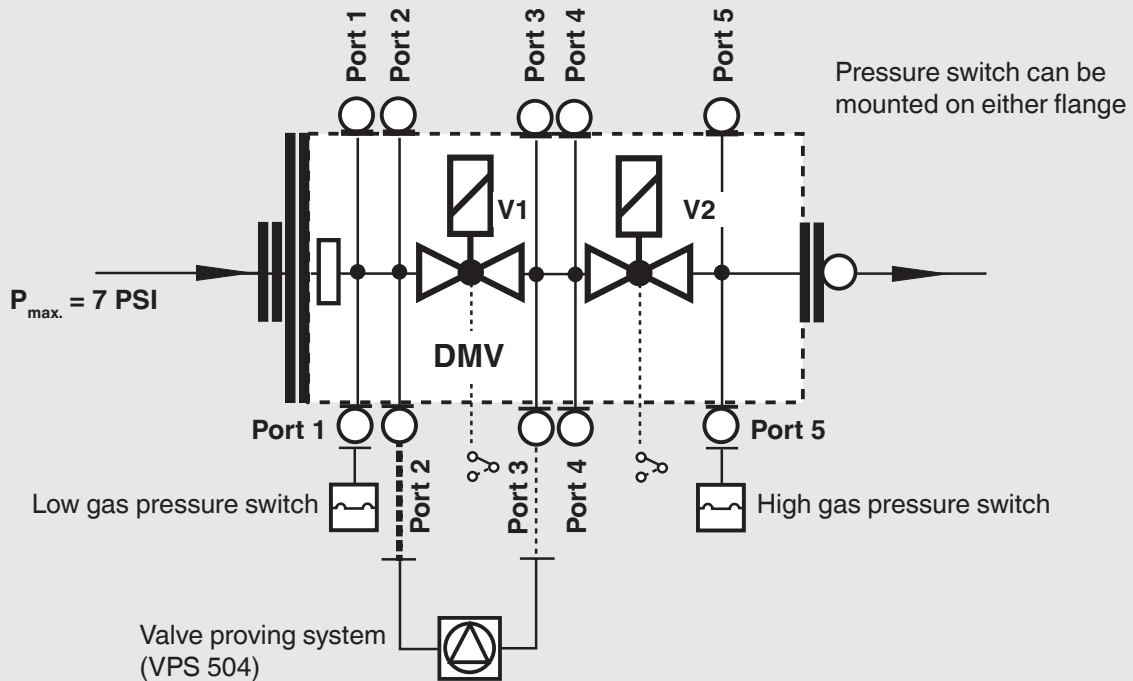
DMV-DLE 525/11 Two normally closed safety shutoff valves in one housing. V1 fast opening, fast closing. V2 is slow opening, fast closing. Adjustable max. flow and adjustable initial lift with V2.

Specifications

Body sizes	DMV-D(LE) 525/11	
Pipe size / Thread	2" NPT or Rp	
Max. operating pressure	7 PSI (500 mbar) CSA, FM, CE (Class A)	
Max. body pressure	15 PSI (1000 mbar)	
Max. close off pressure	7 PSI (500 mbar) CSA, FM, CE (Class A)	
Electrical ratings (+10 % / -15 %)	110 - 120 VAC @ 50 - 60 Hz	220 - 240 VAC @ 50 - 60 Hz 24 VDC
Power ratings	DMV-D(LE) 525/11: 110 VA Ratings shown are total power consumption for both valves inclusive. Inrush and full load current have the same VA rating.	
Enclosure rating	NEMA Type 12	
Electrical connection	DIN-connector with 1/2" NPT conduit adapter (order separately)	
Operating time	100 % duty cycle	
Closing time	< 1 s	
Opening time (to max. flow)	DMV-D 525/11 DMV-DLE 525/11	V1 & V2 < 1 s V1 < 1 s; V2 Adjustable to approx. 10 to 20 s at 70 °F
Initial lift adjustment	Adjustable on V2	DLE only; 0 to 70 % of total flow; 0 to 35% of stroke
Max. flow adjustment	Adjustable on V2	<10 to 100 % of total flow; <10 to 100% of stroke
Materials in contact with gas	Housing: Sealings on valve seats:	Aluminium, Steel; free of non-ferrous metals NBR-based rubber
Ambient temperature rating	+5 °F to +140 °F (-15 °C to +60 °C)	
Installation position	Safety shut off valve from vertically upright to horizontal	
Gas strainer (standard)	Installed in the housing upstream V1 (23 mesh)	
Position indication (order separately)	CPI 400 with indication lamps and SPDT interlock switch or Visual indicator (VI)	
Test ports / Pressure switch mounting ports	G 1/8 ISO 228 ports available on both sides. Each side has two ports upstream of V1, two between V1 and V2, one downstream V2 and one on each flange.	
Valve proving system	Requires VPS 504; mounts directly to either side of DMV	

DMV dual modular safety shutoff valve system

Optional mounting system shown,
other configurations possible



! When an accessory is added to the DMV, it may not be possible to mount other devices.

Position Indicator

- CPI 400 interlock switch on V1 or V2, or on both
- Visual Indicator (VI) on V1 or V2, or on both

Additional Accessories

VPS 504

Valve proving system (approved by some authorities having jurisdiction in lieu of vent valve and “proof of closure” e.g. FM, IRI).

For NFPA 86 applications, the VPS 504 is required when “proved closed” requirements apply.

GAO/GMH/GML A2 pressure switch

Position indication

CPI 400 with indication lamps and SPDT interlock switch, or Visual indicator (VI)

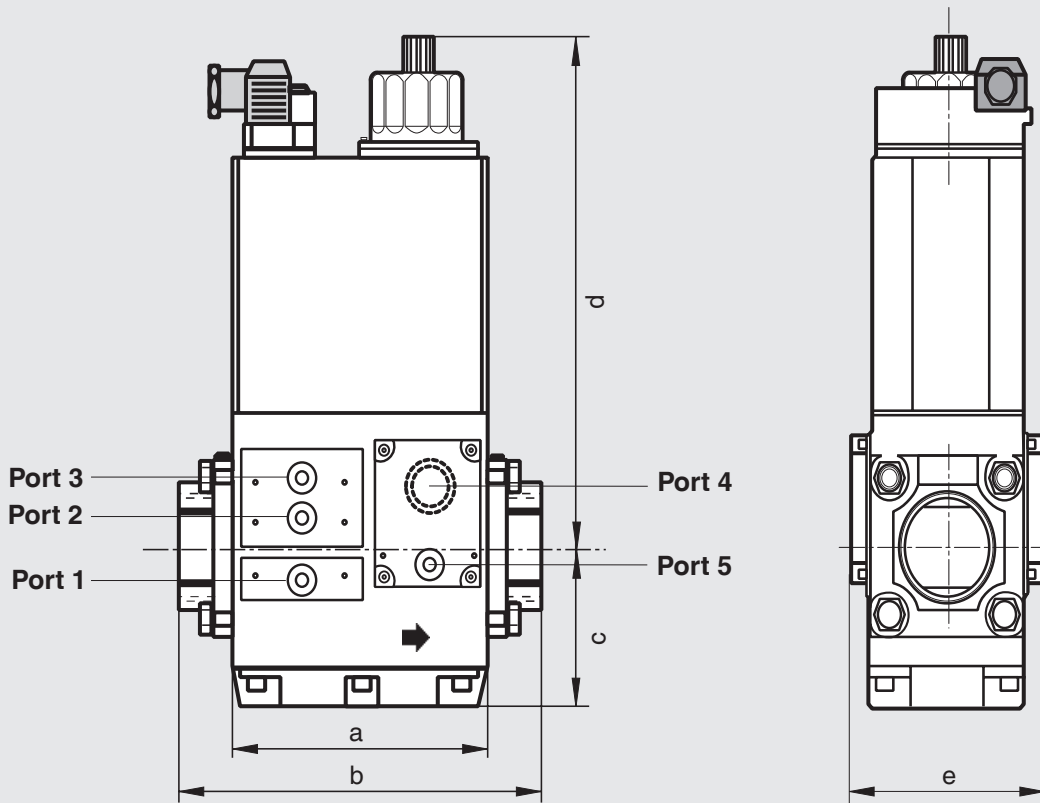
DMK butterfly control valve

Mounts directly downstream of DMV to modulate gas flow. Requires actuator. Use DMA actuator with DMK butterfly valve.

Adapters

- 1/4" NPT adapter (225047)
- 1/2" NPT Pilot / vent adapter; Check flow requirements. (225043)
- G 1/8" Test nipple with gasket (219008)
- 1" NPT Vent line adapter (243760)

Dimensions inch (mm)




Type	110 - 120 VAC @ 50 - 60 Hz Order No.	220 - 240 VAC @ 50 - 60 Hz Order No.	24 VDC Order No.	Power* [VA]	Dimensions [inch] Dimensions [mm]					Weight [lbs] [kg]
					a	b	c	d	e	
DMV-D 525/11	223368	223367	223370	110	6.4 162	9.4 239	3.5 88	9.7 245	4.8 123	26.6 12,1
DMV-DLE 525/11	223374	223373	not available	110	6.4 162	9.4 239	3.5 88	9.7 245	4.8 123	27.0 12,3

Valve	Flange	NPT	Rp
DMV-D(LE) 525/11	2"	232407	215384

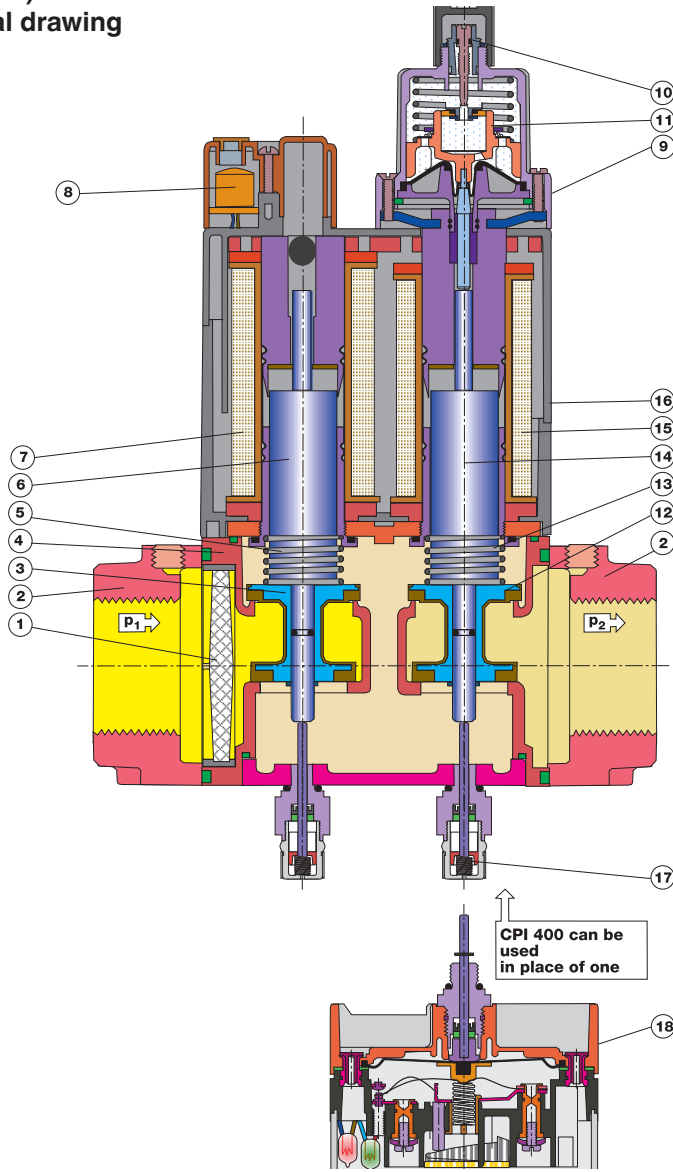
* Inrush current and full load current have the same VA rating.

DIN-Connector	210319
CPI 400 valve switch	266968
Visual indicator	266949

Replacement Coil Part # for 120 VAC	Replacement Coil Part # for 24 VDC	Replacement PCB Part # for 120 VAC	Replacement PCB Part # for 24 VDC
225168	225170	266977	266979

 Please order flanges, DIN-Connector and position indicators separately

DMV-D(LE) 525/11
sectional drawing



- 1 Strainer
- 2 Flange
- 3 Valve V1
- 4 Housing
- 5 Closing spring V1
- 6 Plunger V1
- 7 Solenoid V1
- 8 Electrical connection
- 9 Max flow adjustment
- 10 Initial lift adjustment (DMV-DLE)
- 11 Hydraulic brake (DMV-DLE)
- 12 Hydraulic brake (DMV-DLE)
- 13 Valve V2
- 14 Closing spring V2
- 15 Plunger V2
- 16 Solenoid V2
- 17 Solenoid housing
- 18 Visual indicator (VI)

Pressure drop for other gases

To determine the pressure drop when using a gas other than natural gas, use the flow formula below and f value located in the table below to determine

the “corrected” flow rate in CFH through the valve for the other gas used. For example, when using propane, divide the volume (CFH) of propane required for the application by the calculated value

f (f = 0.66 for propane). Use this “corrected” flow rate and the flow curve on the next page to determine pressure drop for propane.

Determining equivalent flow through valves using another gas

$$\dot{V}_{\text{gas used}} = \dot{V}_{\text{Natural gas}} \times f$$

$$f = \sqrt{\frac{\text{Density of Natural gas}}{\text{Density of gas used}}}$$

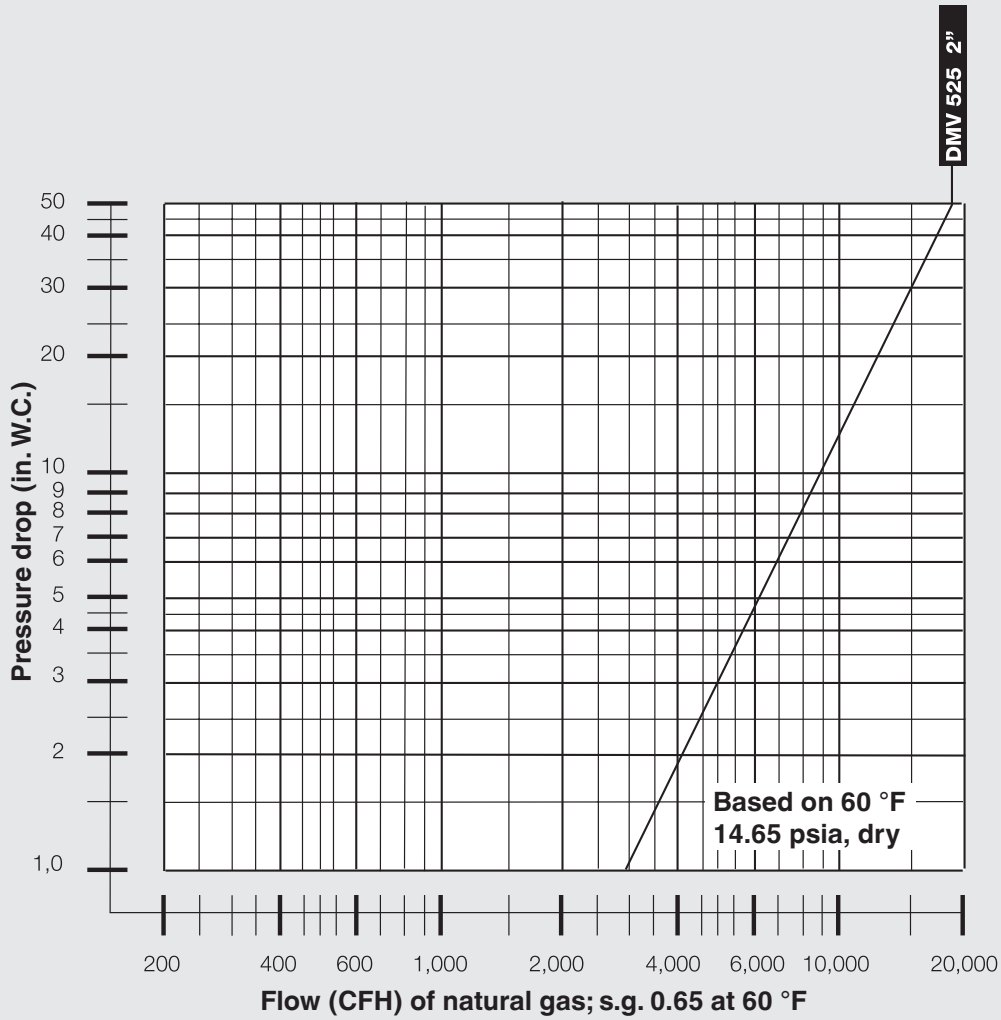
Type of gas	Density [kg/m ³]	s.g.	f
Natural gas	0.81	0.65	1.00
Butane	2.39	1.95	0.58
Propane	1.86	1.50	0.66
Air	1.24	1.00	0.80

Dual Modular Safety
Shutoff Valves

DMV-D 525/11
DMV-DLE 525/11



Flow curve



We reserve the right to make any changes in the interest of technical progress.