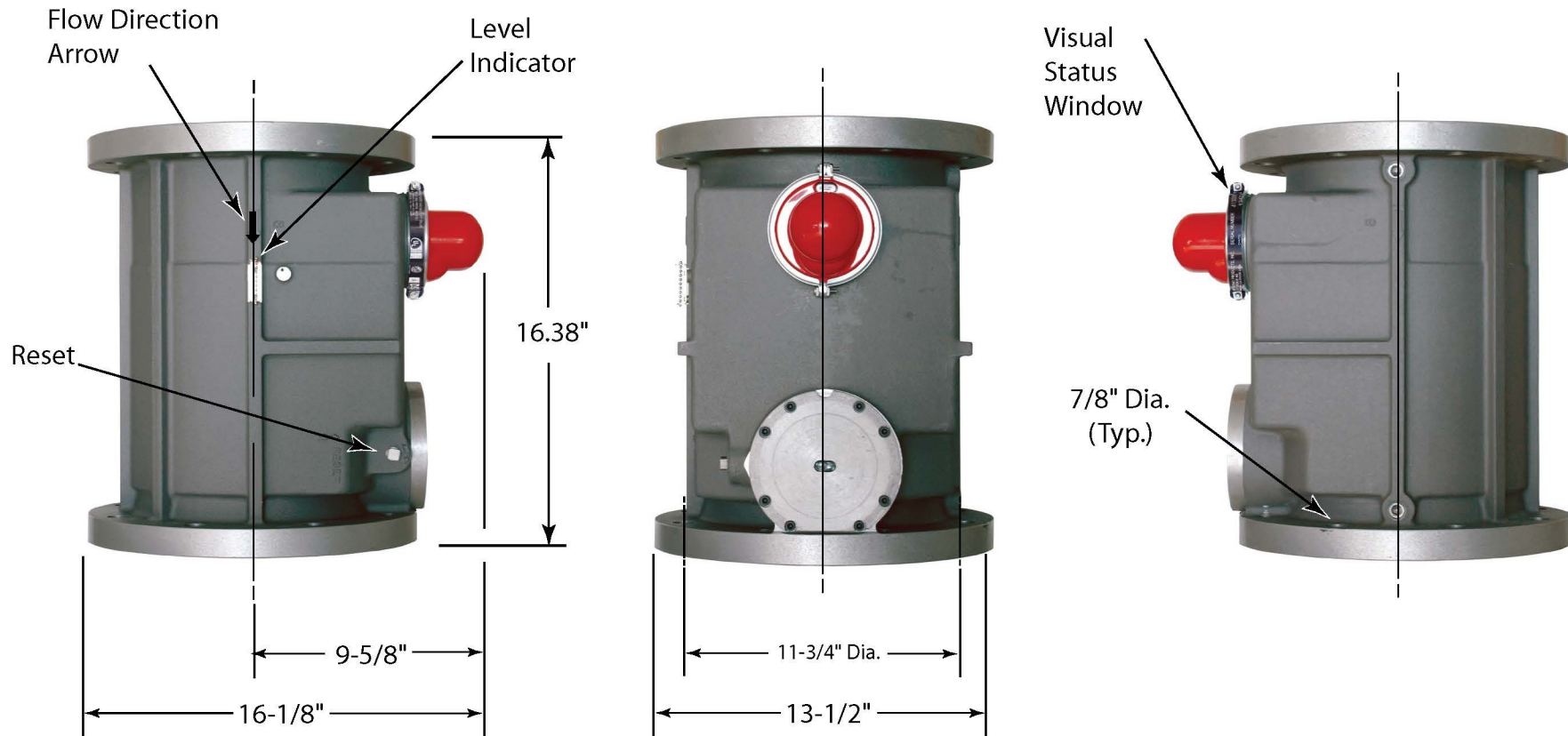


Specifications: Model VT-319F(60) Flanged Valve

Flanged Vertical - Top In - Downward Flow



Valve Model#	CA-DSA No.	Length	Height	Diameter	Nominal Pipe Size	APPLICATION	DATA	Diameter On Center	Diameter Hole (Typ.)	Number of Holes
						Max. Pressure	Fuel			
VT-319F	13-21	16-1/8"	16.38"	13-1/2"	8"	60 psi	Dry Fuel Gas	11-3/4" Dia.	7/8" Dia.	8

