

XOMOX[®]

brands you trust.



Tuflin[®] Class 600 Sleeved Plug Valves

CRANE[®]

ChemPharma Flow Solutions

www.cranepharmasolutions.com

Tufline non-lubricated sleeved plug valves are available in ANSI Class 600.

Exceptional service.

Because of their advantages over ball and gate valves, Tufline Sleeved Plug valves are increasingly found in services such as:

- Oil and gas production.
- Oil and gas transmission and compressor stations.
- High pressure monomer and polymer applications.
- High pressure chemical and petrochemical processes.
- HF alkylation services.

Tighter, more reliable, longer-lasting seal.

Ball valve seats provide a small, easily-breached sealing area. Tufline Sleeved Plug valves have a 360° sealing area around the full circumference of the plug.

Unlike ball valves, Tufline Sleeved Plug valves have an adjustable in-line seal to maintain tight shutoff.

Seal to atmosphere.

A double stem seal is standard. An enhanced stem seal option is also available.

No cavities.

There are no cavities or pockets where media can collect, contaminate, or build up excessive pressure.

Self lubricating.

The sleeve provides all the lubrication the valve will ever need. These valves operate virtually maintenance-free throughout a greatly extended service life.

Multiport configurations.

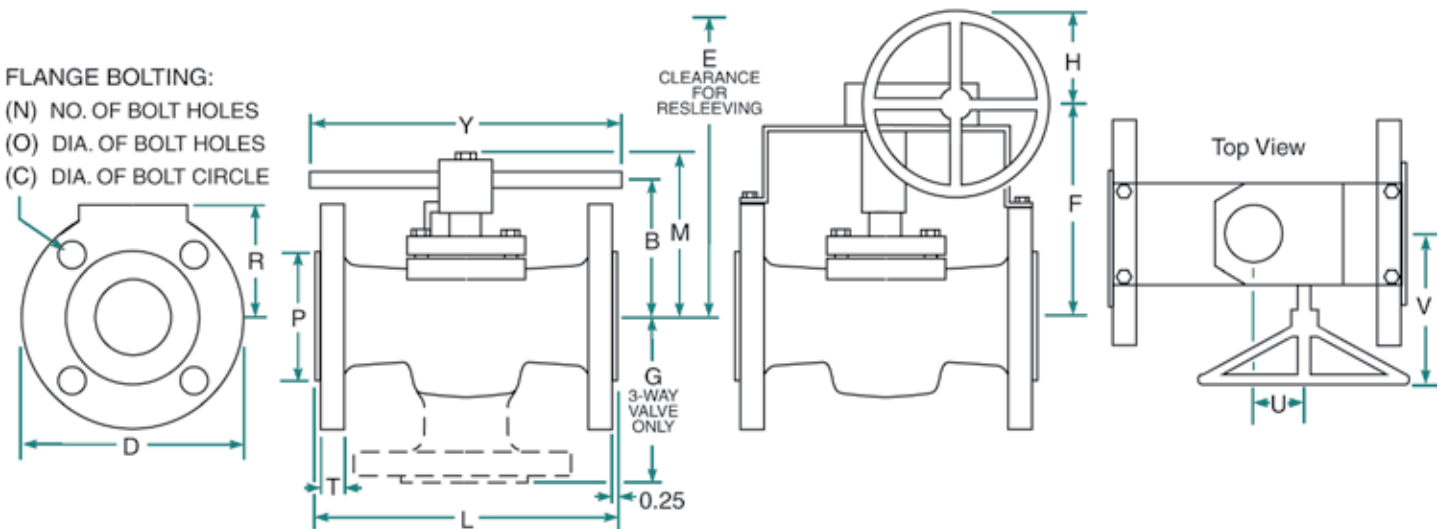
These valves are available in 2-way, 3-way, and 4-way models for more compact and streamlined processing systems.

More options, modifications, and special services.

Choose from a wide variety of options including fire tested models, chlorine, HF, oxygen, and other special service models. Special flanges and end connections are available.

Dimensions

Dimensions are in inches. Weights are in pounds.



Wrench Operated / Class 600 / 2-Way - Figure No. 0667DR / 3-Way - Figure No. 0637DR

Size	L	D	T	P	R	N	O	C	E	Weight 2-way	G 3-way	Weight 3-way
1/2	6.50	3.75	.62	1.38	1.88	4	.62	2.62	6.00	9	3.25	11
3/4	6.50	4.62	.62	1.69	2.32	4	.75	3.25	6.00	10	3.25	14
1	8.50	4.88	.69	2.00	2.44	4	.75	3.50	7.00	13	4.25	18
1 1/2	9.50	6.12	.88	2.88	3.06	4	.88	4.50	8.00	28	4.75	37
2	11.50	6.50	1.00	3.62	3.25	8	.75	5.00	9.13	38	5.75	49
3	14.00	8.25	1.25	5.00	4.13	8	.88	6.62	10.13	62	7.00	82
4	17.00	10.75	1.50	6.19	5.38	8	1.00	8.50	22.00	115	8.50	156

Enclosed Gear Operated / Class 600 / 2-Way - Figure No. 0667DR / 3-Way - Figure No. 0637DR

Size	L	D	T	P	R	N	O	C	E	Weight 2-way	G 3-way	Weight 3-way
4	17.00	10.75	1.50	6.19	5.38	8	1.00	8.50	22.00	133	8.50	174
6	22.00	14.00	1.88	8.50	7.00	12	1.12	11.50	25.00	250	9.31	324
8	26.00	16.50	2.19	10.62	8.38	12	1.25	13.75	28.00	475	-	586
10	31.00	20.00	2.50	12.75	10.13	16	1.38	17.00	29.00	890	-	1080
12	33.00	22.00	2.62	15.00	11.19	20	1.38	19.25	35.00	1100	16.50	1375
14	35.00	23.75	2.75	16.25	12.00	20	1.50	20.75	N/A	1400	-	-
16	39.00	27.00	3.00	18.50	13.56	20	1.63	23.75	N/A	1825	-	-

Operator dimensions

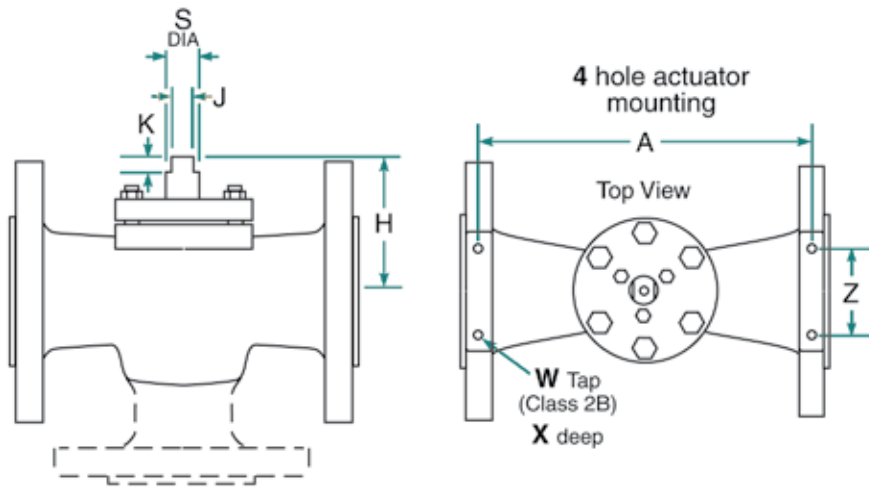
Wrench

Size	M	B	Y
1/2	-	4.00	6.38
3/4	-	4.00	6.38
1	3.81	2.88	8.75
1 1/2	4.56	3.63	12.50
2	5.13	4.00	18.00
3	5.69	4.63	24.00
4	7.06	5.75	30.00

Enclosed gear

Size	F	H	U	V
4	8.75	6.00	2.06	8.00
6	11.50	9.00	2.62	10.38
8	13.50	9.00	2.62	10.38
10	15.25	12.00	3.53	12.31
12	16.25	15.00	4.88	15.88
14	21.66	12.00	5.38	16.90
16	21.66	12.00	5.12	17.66

© Copyright Xomox Corporation 2000, 2009.
All rights reserved. Xomox® and Tuffline®
are registered trademark of Xomox Corp.



Actuator mounting dimensions.

Full dimensions for valve and actuator assemblies are available

					4 Hole Pattern				
Size	H	K	J	S	Size	A	Z	W	X
1/2	1.92	0.66	0.250	0.50	1/2	5.38	1.75	5/16 -18	.47
3/4	1.92	0.66	0.250	0.50	3/4	5.38	1.75	5/16 -18	.47
1	2.50	0.32	0.438	0.63	1	7.13	1.75	5/16 -18	.37
1 1/2	3.06	0.44	0.563	0.88	1 1/2	8.13	1.75	5/16 -18	.37
2	3.56	0.53	0.750	1.13	2	9.94	2.25	5/16 -18	.47
3	4.13	0.53	0.750	1.13	3	12.25	3.50	3/8 -16	.63
4	5.22	0.78	0.875	1.25	4	15.00	4.00	7/16 -14	.65
6	7.35	1.00	1.398	2.00	6	20.00	4.00	1/2 -13	1.00
8	9.32	1.00	1.398	2.00	8	23.31	6.00	1/2 -13	.63
10	10.81	1.00	1.673	2.50	10	28.00	6.00	1/2 -13	.63
12	11.81	1.00	1.968	3.00	12	29.88	6.00	1/2 -13	.63
14	14.96	1.58	2.00	4.00	14	31.75	8.00	5/8 - 11	1.00
16	14.96	1.58	2.00	4.00	16	35.50	8.00	5/8 - 11	1.00